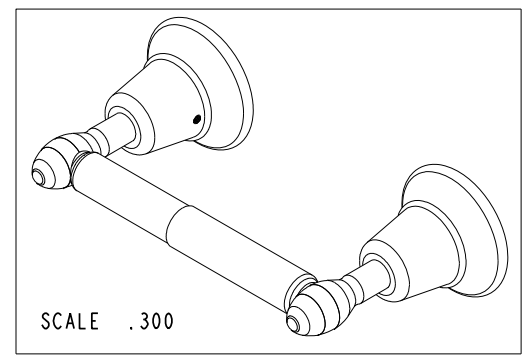
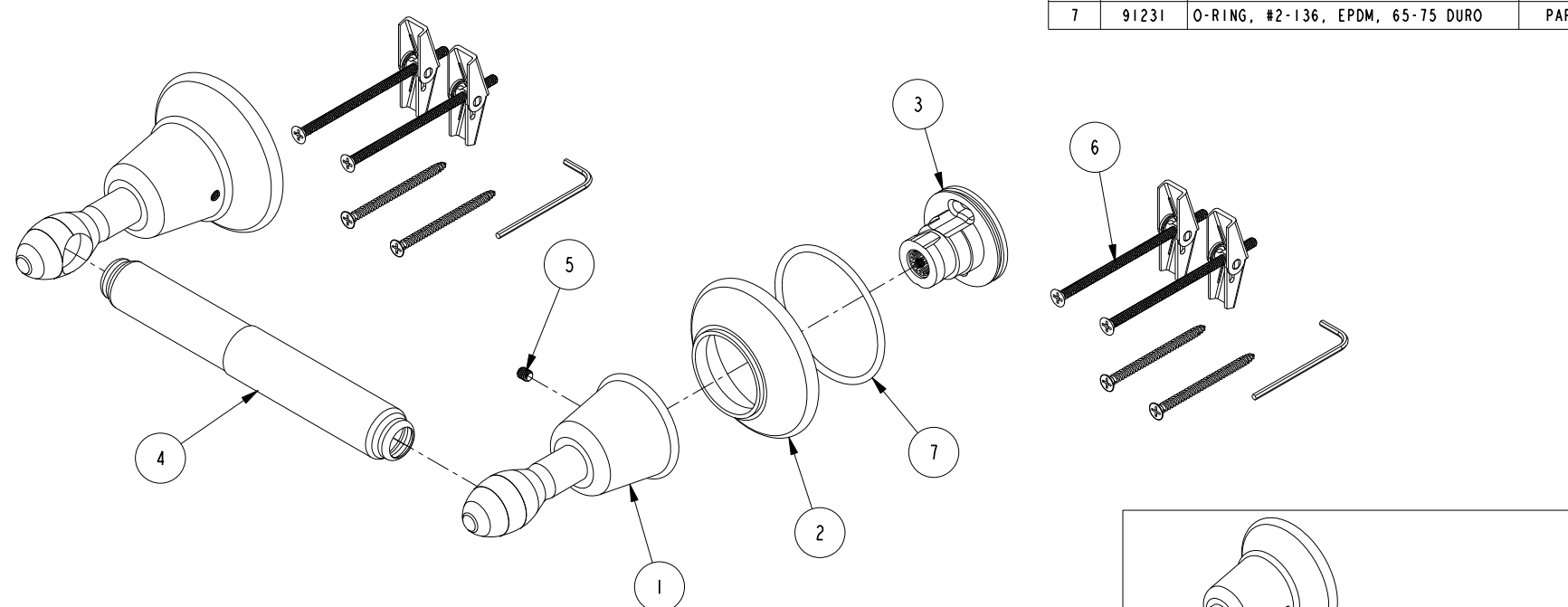


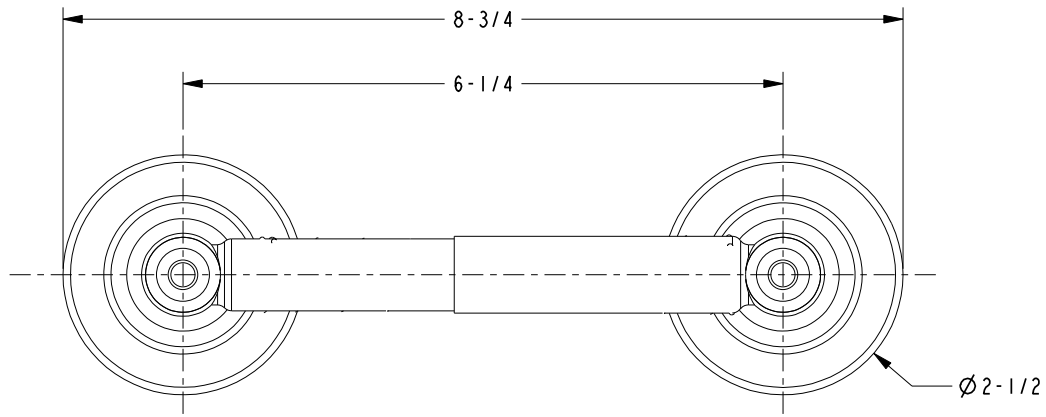
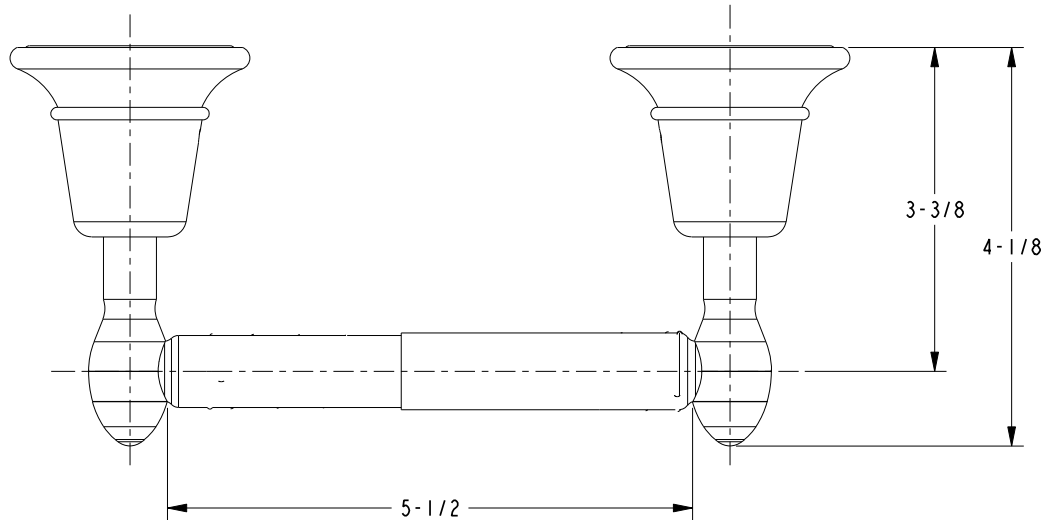
BILL OF MATERIAL (CURRENT LEVEL)				
ITEM	PT/ASSY	DESCRIPTION	TYPE	QTY.
1	40296	TOWEL BAR POST	PART	2
2	12243	HANDLE ESCUTCHEON	PART	2
3	40333	ACCESSORY MTG BASE	PART	2
4	2-184	TISSUE ROLLER ASSEMBLY	ASSEMBLY	1
5	92001	SCRW, 8-32 X 3/16 SKT HD FLT PT SS	PART	2
6	1-125	HARDWARE KIT	ASSEMBLY	2
7	91231	O-RING, #2-136, EPDM, 65-75 DURO	PART	2



COPYRIGHT 2005 BRASSTECH, INC. THESE DRAWINGS AND THE DESIGNS DEPICTED HEREIN ARE THE PROPRIETARY PROPERTY OF BRASSTECH. ANY USE OR REPRODUCTION IS SUBJECT TO THE EXPRESS APPROVAL OF BRASSTECH. UNAUTHORIZED USE IS STRICTLY PROHIBITED. ALL RIGHTS RESERVED.

BRASSTECH INCORPORATED	2001 E. CARNEGIE AVE. SANTA ANA, CA 92705 (949) 417-5207	DOUBLE POST TISSUE HOLDER	ASSY. NO.	B	EN-2510c	08/09/13
			31-28	A	EN-1241	09/14/09
				-	E0-0315	02/12/04
			SCALE .400	REF. -	SHEET 1 OF 2	REV

SPECIFICATION DWG



DIMENSIONS ARE IN INCHES AND AN APPROXIMATION OF A TYPICAL INSTALLATION

COPYRIGHT 2005 BRASSTECH, INC. THESE DRAWINGS AND THE DESIGNS DEPICTED HEREIN ARE THE PROPRIETARY PROPERTY OF BRASSTECH. ANY USE OR REPRODUCTION IS SUBJECT TO THE EXPRESS APPROVAL OF BRASSTECH. UNAUTHORIZED USE IS STRICTLY PROHIBITED. ALL RIGHTS RESERVED.

BRASSTECH		2001 CARNEGIE AVE.	
INCORPORATED		SANTA ANA, CA 92705	
		(949) 417-5207	
DWG NO.	31-28	REV	B
SCALE	.500	REF.	-
		SHEET	2 OF 2