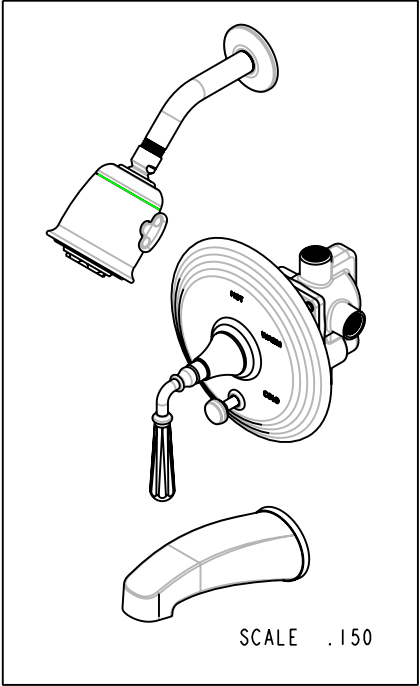
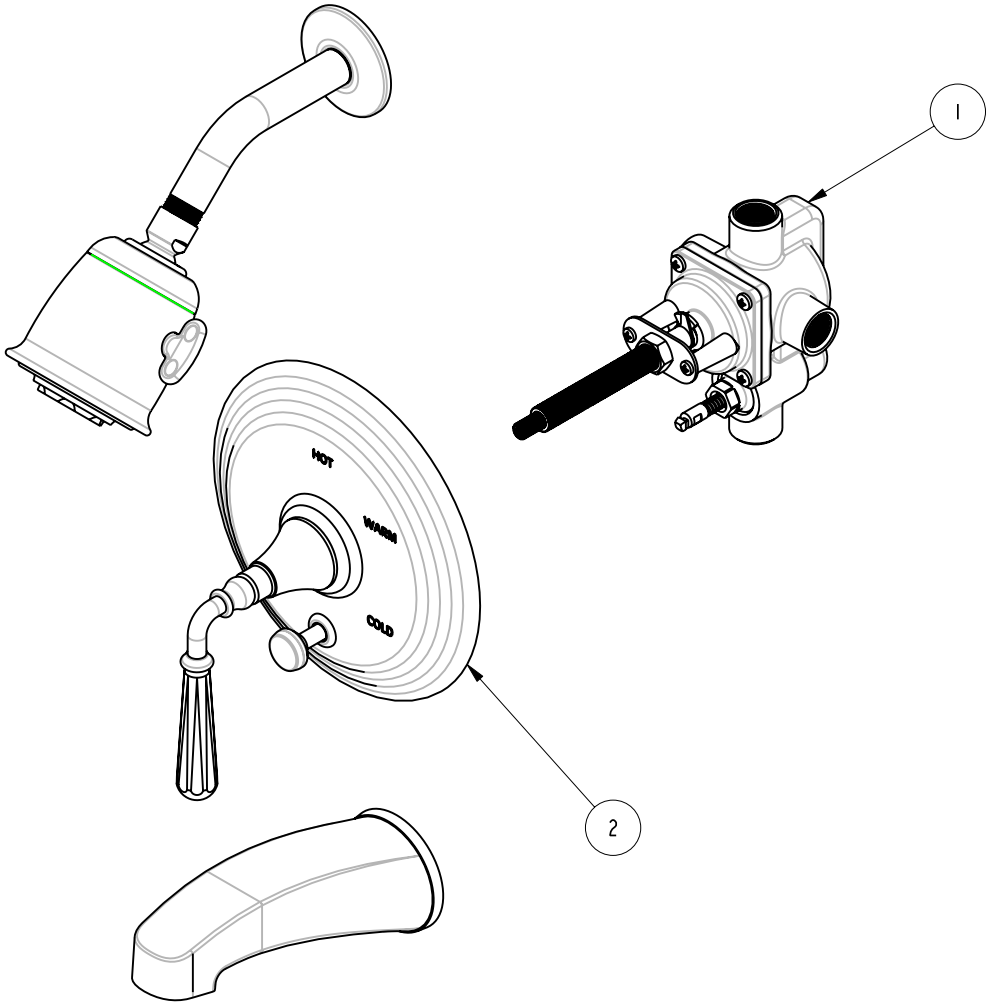


BILL OF MATERIAL (CURRENT LEVEL)				
ITEM	PT/ASSY	DESCRIPTION	TYPE	QTY.
1	1-505	BP VALVE ASM W/DIVERTER	ASSEMBLY	1
2	3-1742BP	TRIM KIT TUB SHOWER, 3-1742BP	ASSEMBLY	1



COPYRIGHT 2005 BRASSTECH, INC. THESE DRAWINGS AND THE DESIGNS DEPICTED HEREIN ARE THE PROPRIETARY PROPERTY OF BRASSTECH. ANY USE OR REPRODUCTION IS SUBJECT TO THE EXPRESS APPROVAL OF BRASSTECH. UNAUTHORIZED USE IS STRICTLY PROHIBITED. ALL RIGHTS RESERVED.

**BRASSTECH**  
INCORPORATED  
2001 E. CARNEGIE AVE.  
SANTA ANA, CA 92705  
(949) 417-5207

TUB SHOWER SET

ASSY. NO. 1742BP		A	EO-0787	11/14/06
SCALE .250	REF. -	-	EO-0390	07/16/04
SHEET 1 OF 3		REV	REV DESC	DATE

4

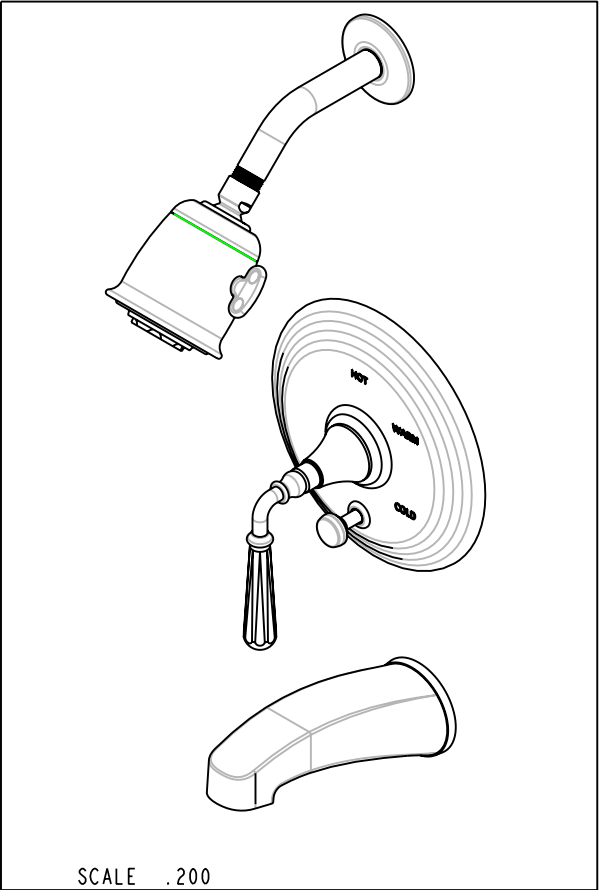
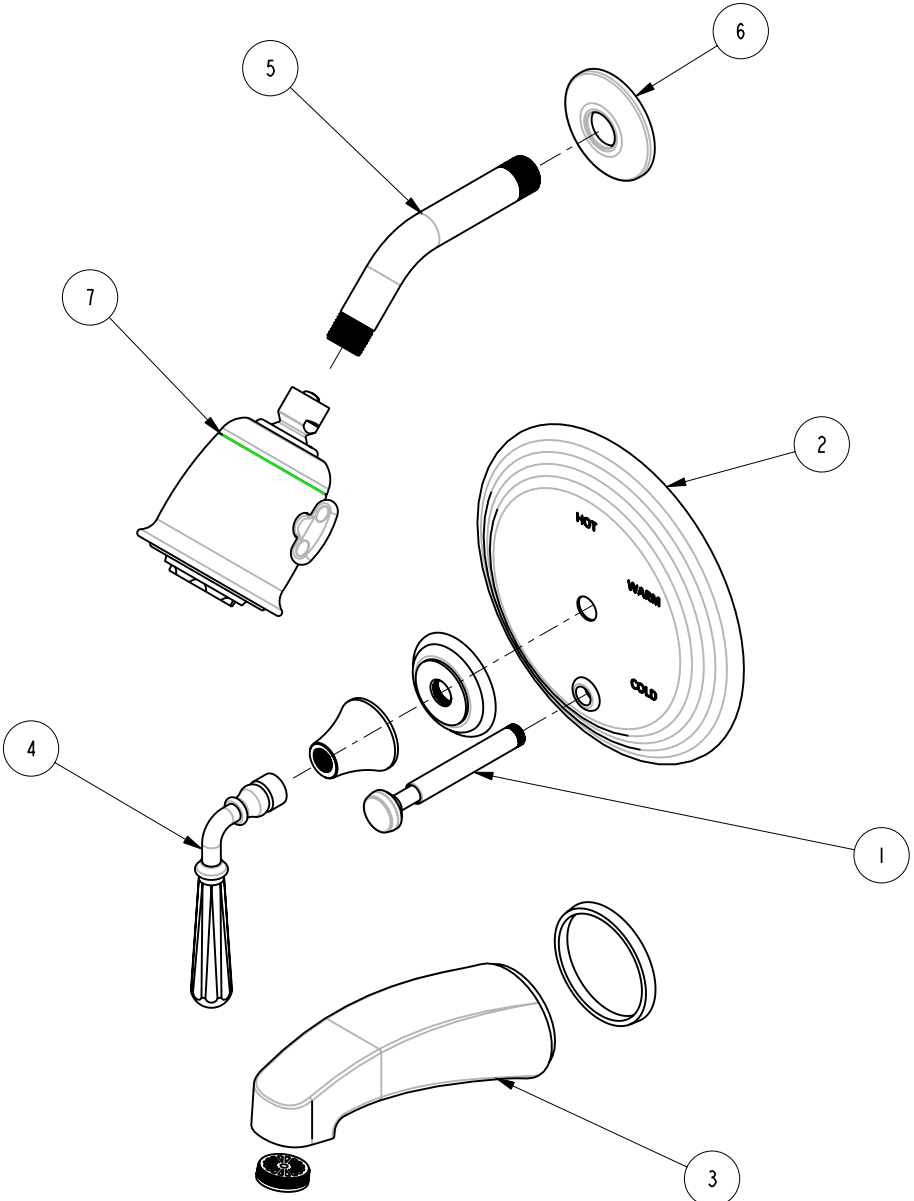
3

2

1

BILL OF MATERIAL (CURRENT LEVEL)

ITEM	PT/ASSY	DESCRIPTION	TYPE	QTY.
1	2-217	DIVERTER TRIM KIT	ASSEMBLY	1
2	2-224	COVERPLATE BP W/DIVERTER	ASSEMBLY	1
3	2-564	TUB SPOUT	ASSEMBLY	1
4	3-289	TRIM KIT HDL/ESC	ASSEMBLY	1
5	200	SHOWER ARM 6" BRASS	PART	1
6	206	SHOWER ARM FLANGE 2.5	PART	1
7	2131	BELL SHOWERHEAD	ASSEMBLY	1



COPYRIGHT 2005 BRASSTECH, INC. THESE DRAWINGS AND THE DESIGNS DEPICTED HEREIN ARE THE PROPRIETARY PROPERTY OF BRASSTECH. ANY USE OR REPRODUCTION IS SUBJECT TO THE EXPRESS APPROVAL OF BRASSTECH. UNAUTHORIZED USE IS STRICTLY PROHIBITED. ALL RIGHTS RESERVED.

**BRASSTECH**  
 INCORPORATED  
 2001 E. CARNEGIE AVE.  
 SANTA ANA, CA 92705  
 (949) 417-5207

TRIM KIT TUB SHOWER, 3-1742BP

ASSY. NO. 1742BP		A	EO-0787	11/14/06
SCALE .250	REF. -	-	EO-0390	07/16/04
SHEET 2 OF 3	REV	REV DESC	DATE	

4

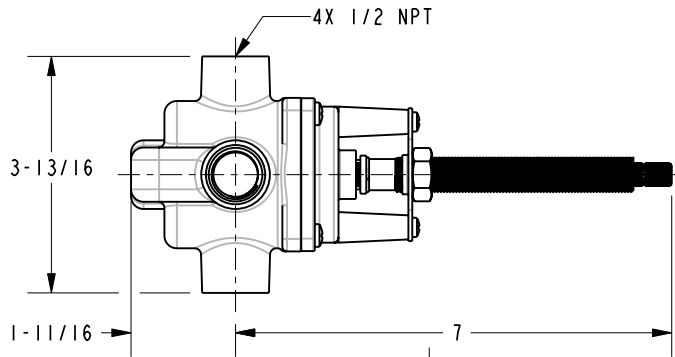
3

2

1

NOTES:

- CUT STEM TO DIMENSION "A".  
CUT ALL-THREAD 1/2"  
SHORTER THAN STEM.

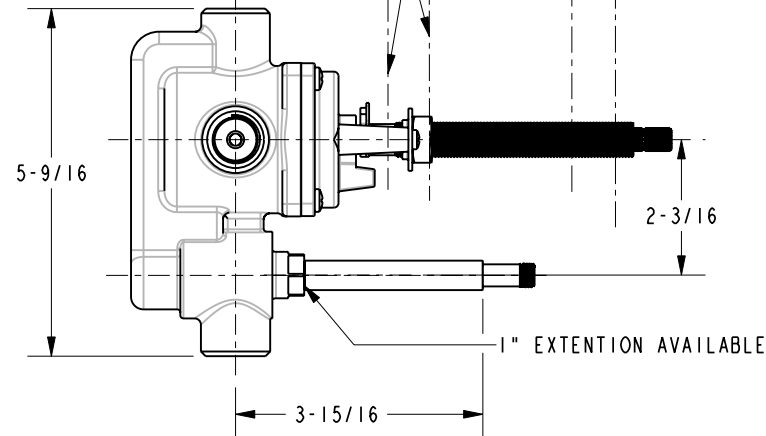


(A) (SEE NOTE 1)  
6-1/16 MAX  
5-3/8 MIN

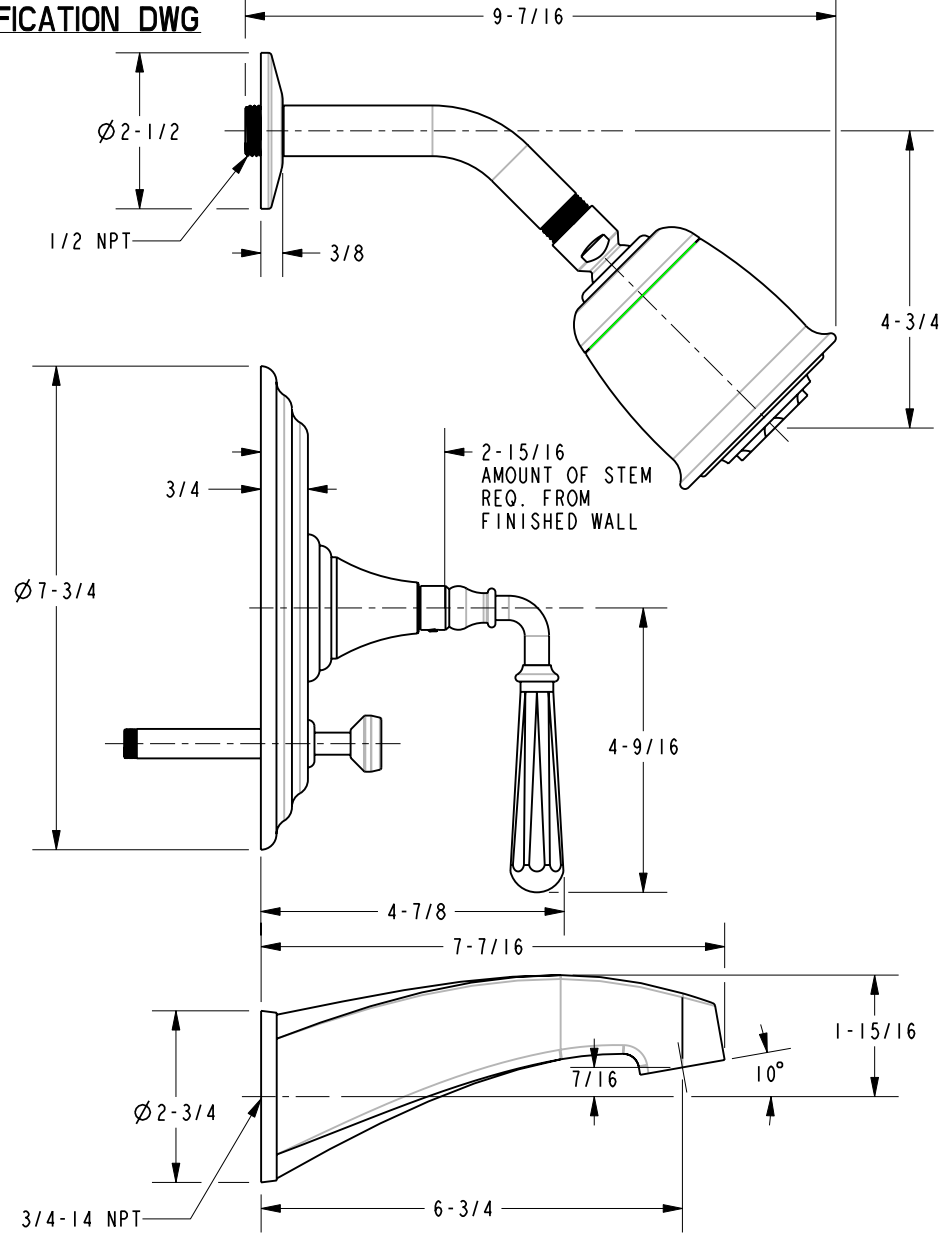
MAX  
3-1/8

MIN  
2-7/16

FINISHED  
WALL



SPECIFICATION DWG



DIMENSIONS ARE IN INCHES AND AN APPROXIMATION OF A TYPICAL INSTALLATION

COPYRIGHT 2005 BRASSTECH, INC. THESE DRAWINGS AND THE DESIGNS DEPICTED HEREIN ARE THE PROPRIETARY PROPERTY OF BRASSTECH. ANY USE OR REPRODUCTION IS SUBJECT TO THE EXPRESS APPROVAL OF BRASSTECH. UNAUTHORIZED USE IS STRICTLY PROHIBITED. ALL RIGHTS RESERVED.

<b>BRASSTECH</b>		2001 E. CARNEGIE AVE.	
INCORPORATED		SANTA ANA, CA 92705	
		(949) 417-5207	
DWG NO.	1742BP	REV	A
SCALE	.325	REF.	-
		SHEET	3 OF 3