

4

3

2

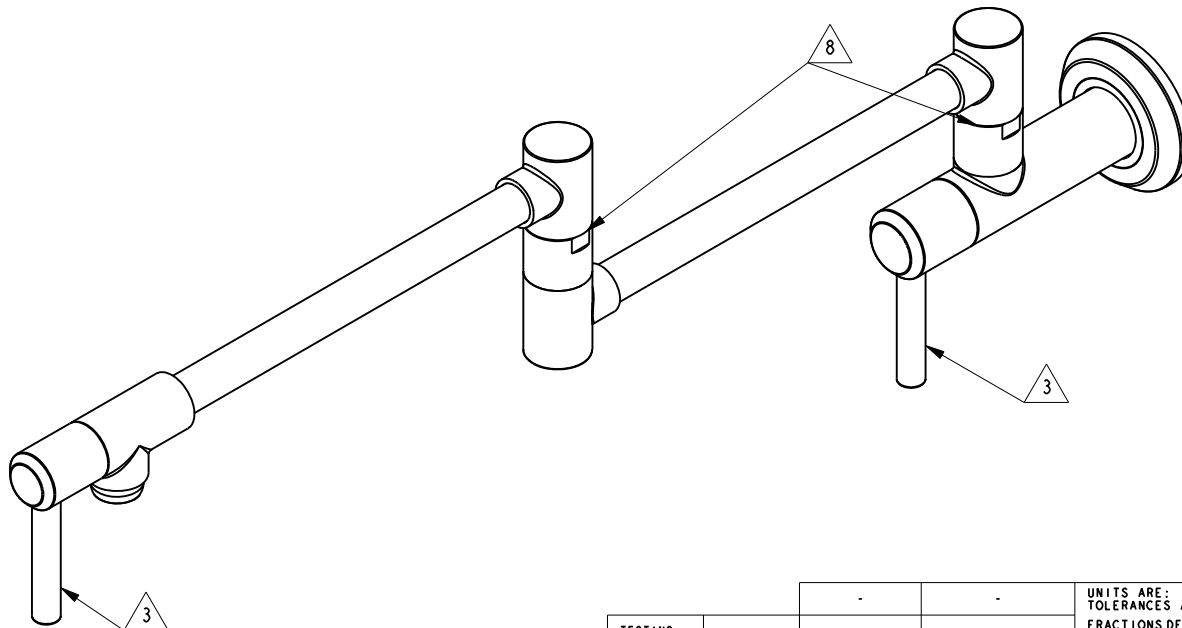
1

NOTES:

- (N1) 1. FIT / FORM / FUNCTION SHALL FOLLOW PS-E.008.
- 2. PACK THESE ITEMS IN A PLASTIC BAG.
- 3. HANDLE IN CLOSE POSITION.
- 4. INSTALLATION TORQUE 11-14 LB-FT.
- 5. INSTALLATION TORQUE 4-6 LB-FT.
- 6. APPLY LOCTITE 680.
- 7. APPLY LOCTITE 242
- 8. SWIVEL CONNECTION SHALL NOT HAVE NOTICEABLE WOBBLINESS AFTER ASSEMBLY.

BILL OF MATERIAL (CURRENT LEVEL)

ITEM	PT/ASSY	DESCRIPTION	TYPE	QTY.
1	11330	VALVE BODY, WALL-END	PART	1
2	11309	FLANGE, MOUNTING	PART	1
3	92231	SCRW, 1/4-20 X 1/4 SKT HD CUP PT SS	PART	1
4	92223	SCRW, #8 X 2-1/2 PHL FLT HD SS	PART	4
5	20-218	FLANGE ASM, CONTEMP	ASSEMBLY	1
6	2-553	LOWER ARM ASM, CONTEMP	ASSEMBLY	1
7	2-552	UPPER ARM ASM, CONTEMP	ASSEMBLY	1
8	1-437	CARTR 3/8 HOT 1/4 TR	PART	1
9	12750	ADAPTER	PART	2
10	92477	SCRW, M4 X 16 SKT FLT HD SS	PART	2
11	12648	HUB, HANDLE, TIP-END	PART	1
12	92005	SCRW, 1/4-20 X 5/8 SKT HD CUP PT SS	PART	2
13	11017	LEVER HANDLE	PART	2
14	1-326	W/S CARTRIDGE FRICTION - HOT	PART	1
15	12647	HUB, HANDLE, WALL-END	PART	1



ZONE	REV	DESCRIPTION	DATE	APPROVED
-	C	EN-4112	03/24/20	J.M.
-	B	EN-3756	11/26/18	C.G.
-	A	EN-3693	08/28/18	J.M.
-	-	EN-3076	12/15/16	J.M.

COPYRIGHT 2005 BRASSTECH, INC. THESE DRAWINGS AND THE DESIGNS DEPICTED HEREIN ARE THE PROPRIETARY PROPERTY OF BRASSTECH. ANY USE OR REPRODUCTION IS SUBJECT TO THE EXPRESS APPROVAL OF BRASSTECH. UNAUTHORIZED USE IS STRICTLY PROHIBITED. ALL RIGHTS RESERVED.

TESTING	-	-	-
ASSEMBLY	-	-	-
PLATING	-	-	-
POLISHING	-	NEXT ASSY	USED ON
MACHINING	-	APPLICATION	
TOOLING FIXTURE #		REMOVE ALL BURRS AND SHARP EDGES	

UNITS ARE: INCHES [MM]	
TOLERANCES ARE:	
FRACTIONS	DECIMALS ANGLES
±1/16"	.X ±.1 [2.5] ±1°
	.XX ±.06 [1.5]
(X.XXX) DENOTES CRITICAL DIMS. ALL THREADS ARE CRITICAL	
DRAWN	JINSON 11/26/18
CHECKED	C.G. 11/26/18
APPROVED	C.G. 11/26/18

BRASSTECH 2001 CARNEGIE AVE. SANTA ANA, CA 92705 (949) 417-5207
INCORPORATED

POT FILLER, CONTEMP

DWG NO. 3200-5503 REV C

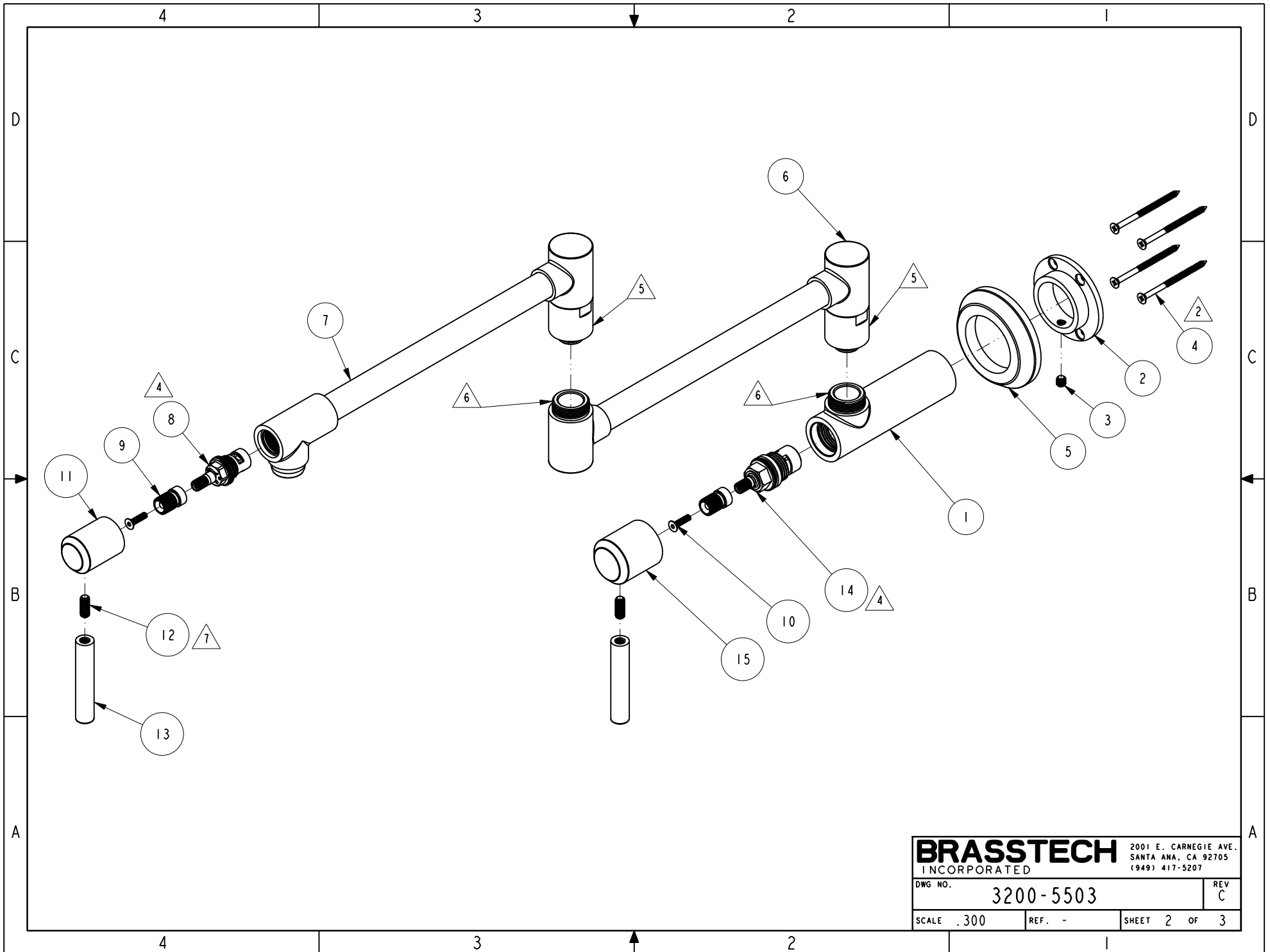
SCALE .300 REF. - SHEET 1 OF 3

4

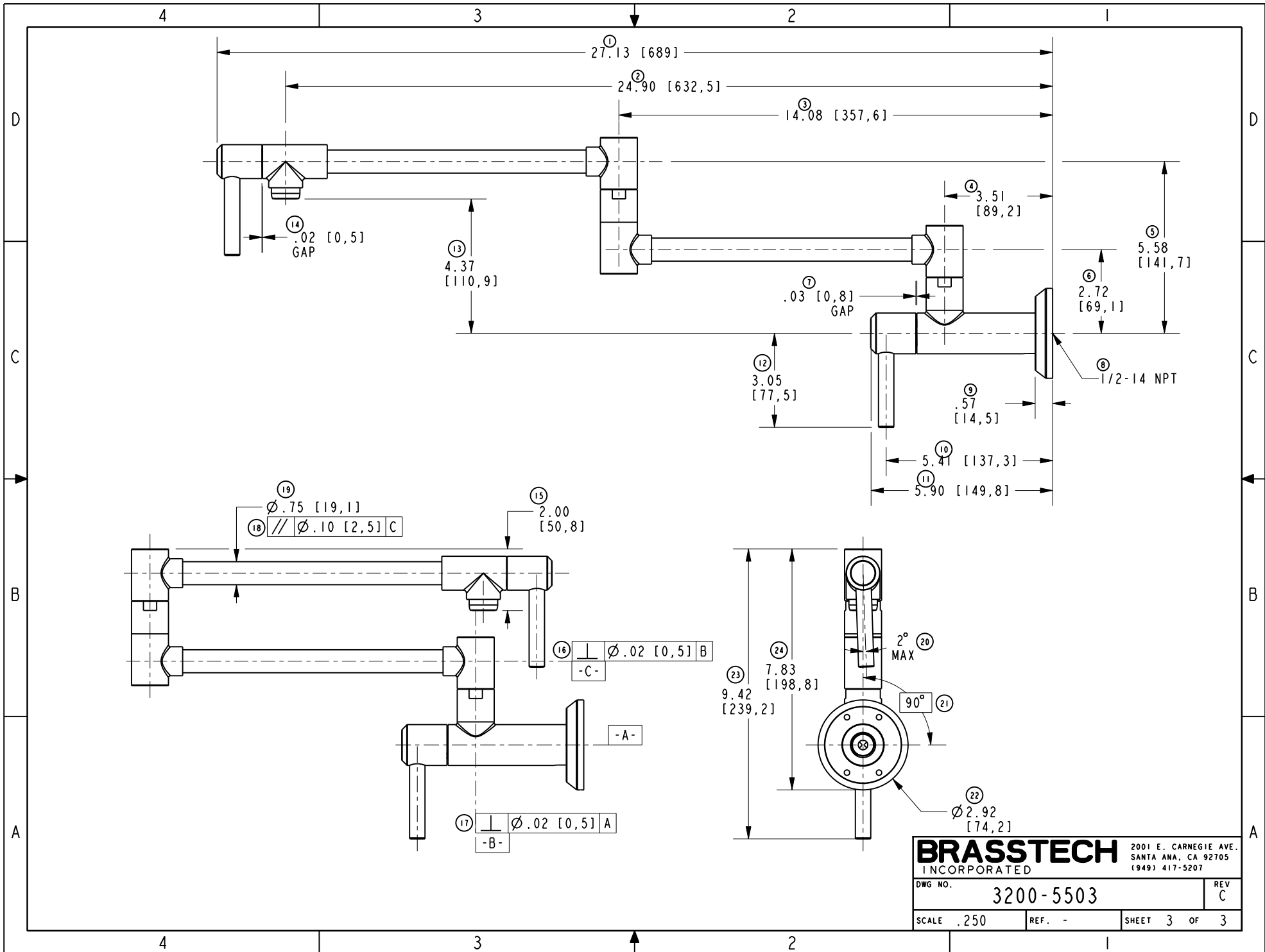
3

2

1



BRASSTECH		2001 E. CARNEGIE AVE.	
INCORPORATED		SANTA ANA, CA 92705	
DWG NO. 3200-5503		REV C	
SCALE .300	REF. -	SHEET 2 OF 3	



BRASSTECH INCORPORATED		2001 E. CARNEGIE AVE. SANTA ANA, CA 92705 (949) 417-5207	
DWG NO.	3200-5503	REV C	
SCALE .250	REF. -	SHEET 3 OF 3	