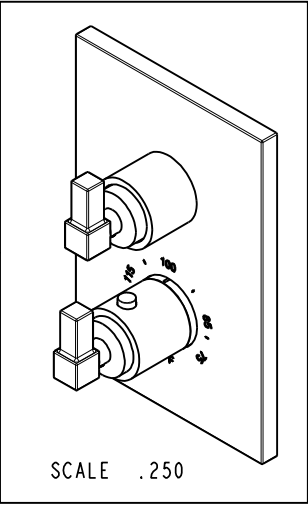
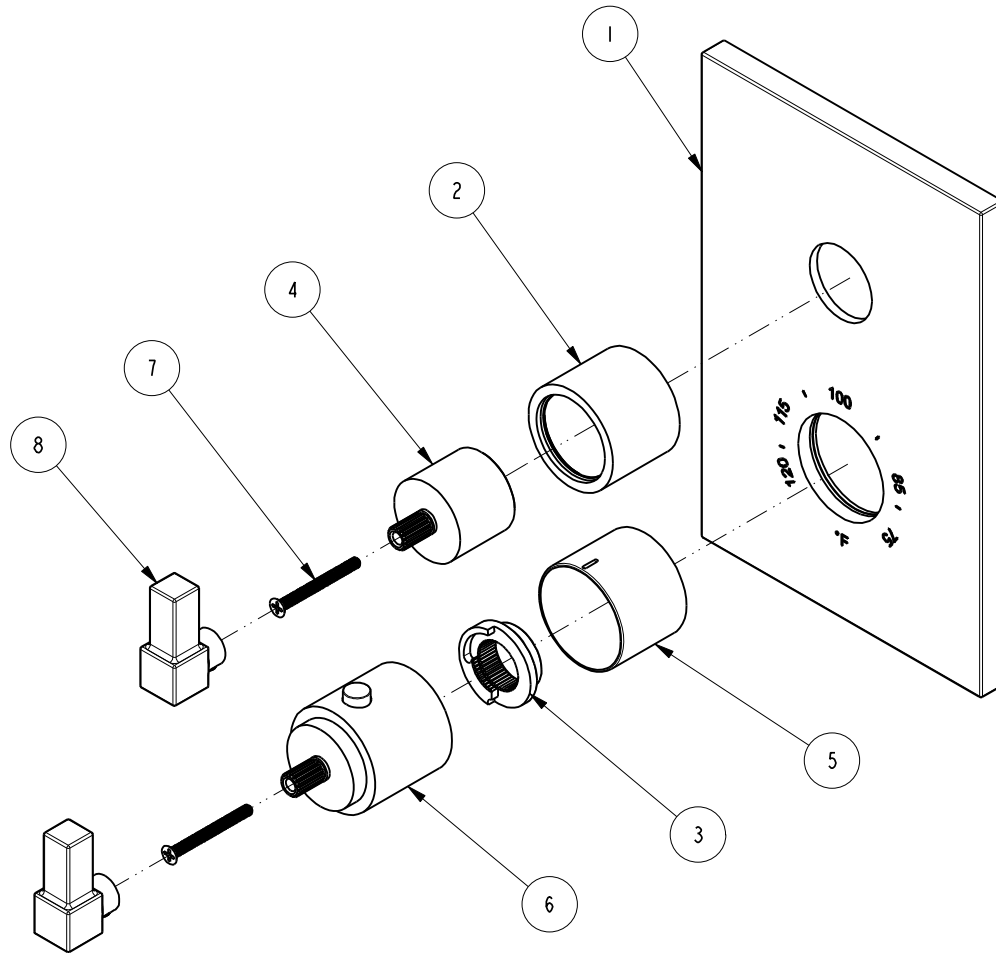


NOTES:

(N1) 1. FIT / FORM / FUNCTION SHALL FOLLOW PS-E.008.

BILL OF MATERIAL (CURRENT LEVEL)

ITEM	PT/ASSY	DESCRIPTION	TYPE	QTY.
1	2-999	TUB AND SHOWER PLATE ASM	ASSEMBLY	1
2	2-996	THREADED COLLAR ASM	ASSEMBLY	1
3	91308	TEMP LIMIT STOP - THERMO	PART	1
4	12348	HANDLE BONNET- CONT	PART	1
5	12345	SLEEVE - THERMO	PART	1
6	2-998	THERMO BONNET ASM	ASSEMBLY	1
7	92113	SCRW, M4 X .7 X 40 PHL FLT HD SS	PART	2
8	20-196	THERMO HANDLE ASM	ASSEMBLY	2



UNITS ARE: INCHES [MM]
 TOLERANCES ARE:
 FRACTIONS DECIMALS ANGLES
 ±1/16" .X ±.1 [2,5] ±1°
 .XX ±.06 [1,5]

(X.XXX) DENOTES CRITICAL DIMS.
 ALL THREADS ARE CRITICAL

DRAWN JINSON 08/12/16
 CHECKED RAVINDRA 08/12/16
 APPROVED J.M 08/12/16

BRASSTECH 2001 CARNEGIE AVE.
 INCORPORATED SANTA ANA, CA 92705
 (949) 417-5207

1/2" THERMOSTATIC TRIM

DWG NO. 3-3143TS REV -

SCALE .375 REF. - SHEET 1 OF 3

COPYRIGHT 2005 BRASSTECH, INC.
 THESE DRAWINGS AND THE DESIGNS
 DEPICTED HEREIN ARE THE PROPRIETARY
 PROPERTY OF BRASSTECH. ANY USE
 OR REPRODUCTION IS SUBJECT TO
 THE EXPRESS APPROVAL OF BRASSTECH.
 UNAUTHORIZED USE IS STRICTLY
 PROHIBITED. ALL RIGHTS RESERVED.

TESTING	-	-	-
ASSEMBLY	-	-	-
PLATING	-	-	-
POLISHING	-	NEXT ASSY	USED ON
MACHINING	-	APPLICATION	
TOOLING FIXTURE #	REMOVE ALL BURRS AND SHARP EDGES		

ZONE	REV	DESCRIPTION	DATE	APPROVED
-	-	EN-3061	08/12/16	J.M

4

3

2

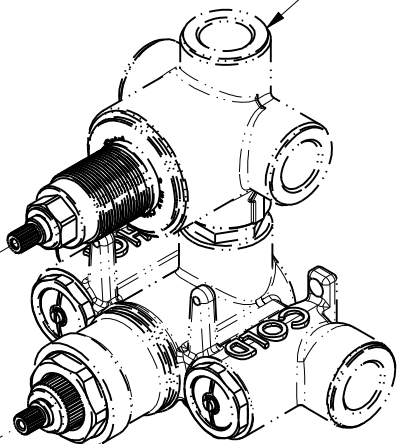
D

C

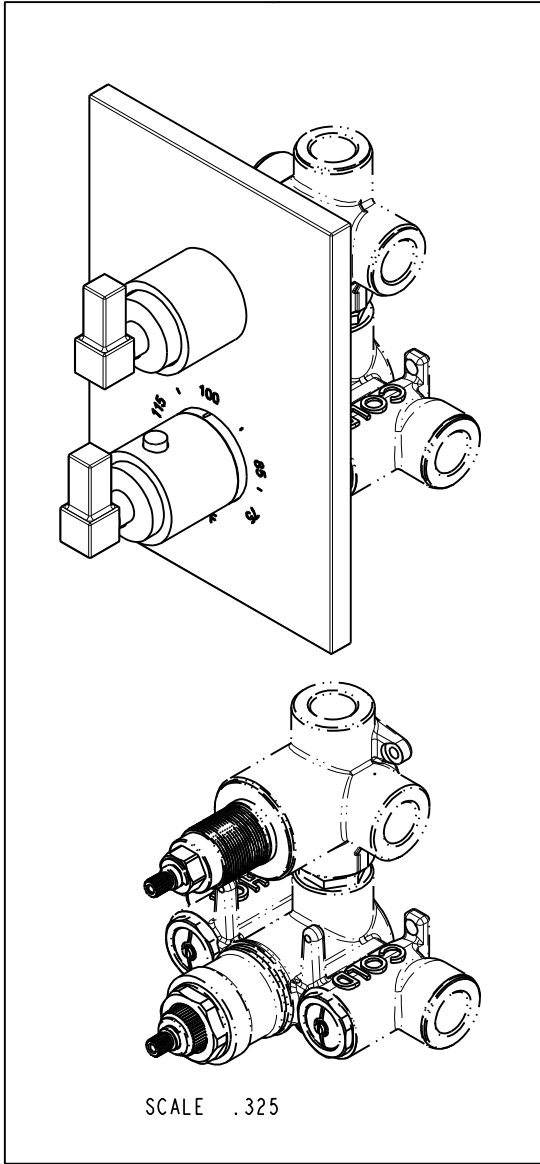
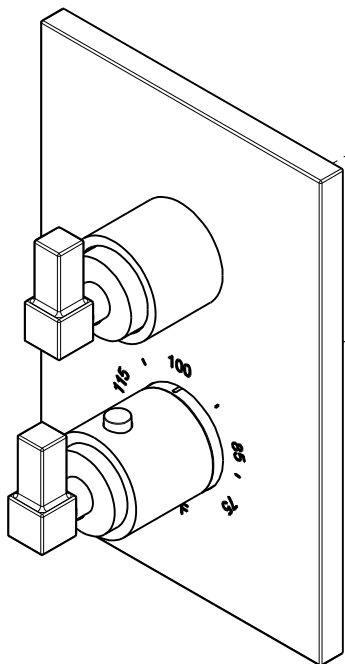
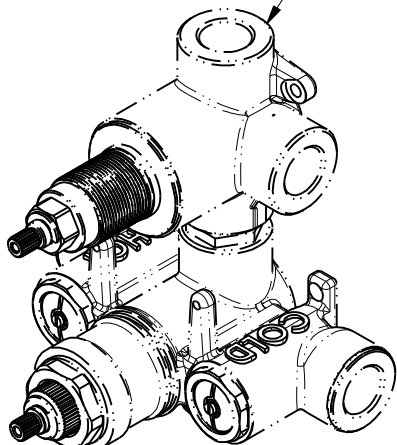
B

A

PN: 1-743
3-WAY VALVE
SOLD SEPARATELY



PN: 1-742
2-WAY VALVE
SOLD SEPARATELY



SCALE .325

D

C

B

A

4

3

2

BRASSTECH		2001 E. CARNEGIE AVE. SANTA ANA, CA 92705 (949) 417-5207	
INCORPORATED			
DWG NO.	3-3143TS		REV
			-
SCALE .375	REF. -	SHEET 2	OF 3

