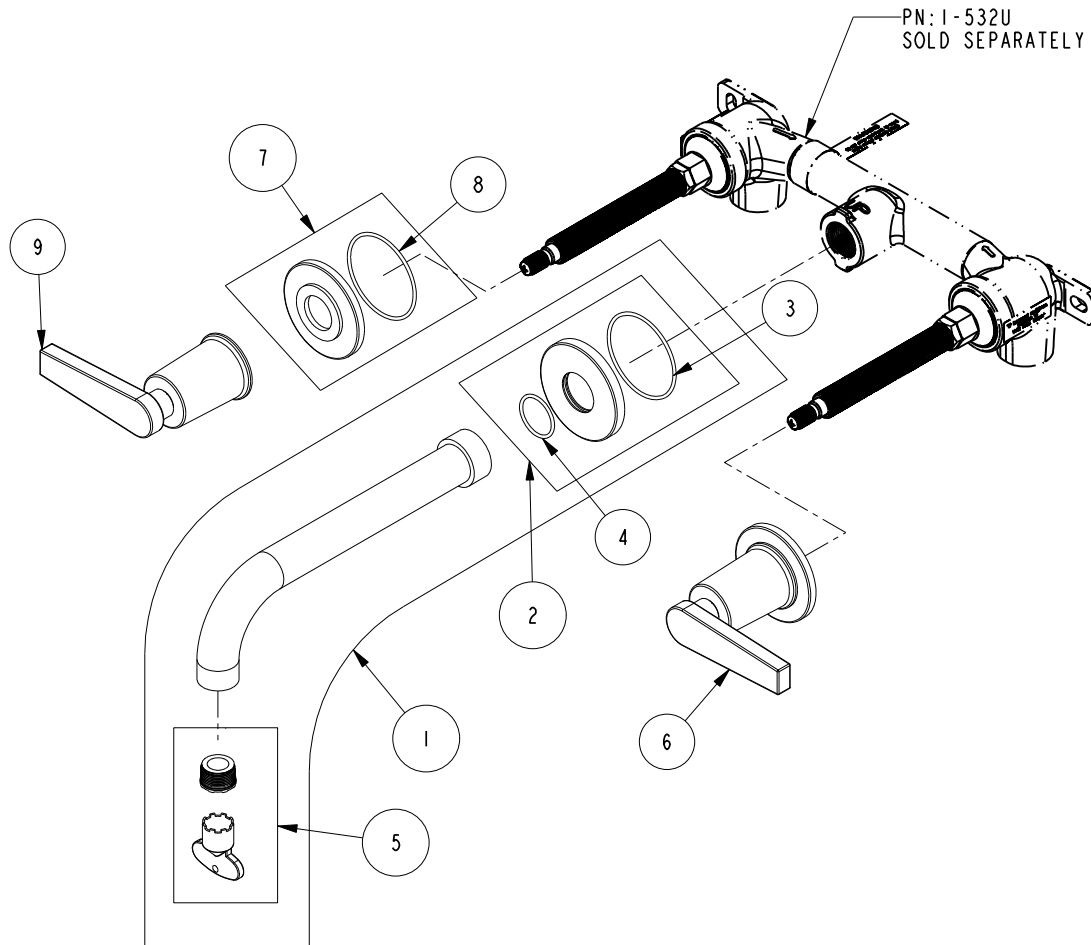


REPLACEMENT PARTS



| ITEM | PT/ASSY | SPECIFY FINISH | DESCRIPTION |
|------|---------|----------------|--|
| 1 | 3-578 | YES | W/M SPOUT & ESCUTCHEON ASM |
| 2 | 20-747 | YES | ESCUTCHEON ASM |
| 3 | 91758 | | O-RING, #2-032, EPDM, 50 DURO - GREY |
| 4 | 91217 | | O-RING, #2-020, EPDM, 65-75 DURO, NSF 61 |
| 5 | 1-492 | | AERATOR 1.2 GPM WITH KEY |
| 6 | 3-575 | YES | HANDLE AND ESCUTCHEON ASSEMBLY |
| 7 | 20-162 | YES | ESCUTCHEON ASM |
| 8 | 91758 | | O-RING, #2-032, EPDM, 50 DURO - GREY |
| 9 | 20-163 | YES | LEVER HANDLE ASSEMBLY |

WALL MOUNT LAV FAUCET
3-2971

REV C EN-4640-1 04/06/23 APPROVED RS

NEWPORT BRASS.

t: 949.417.5207 | www.newportbrass.com