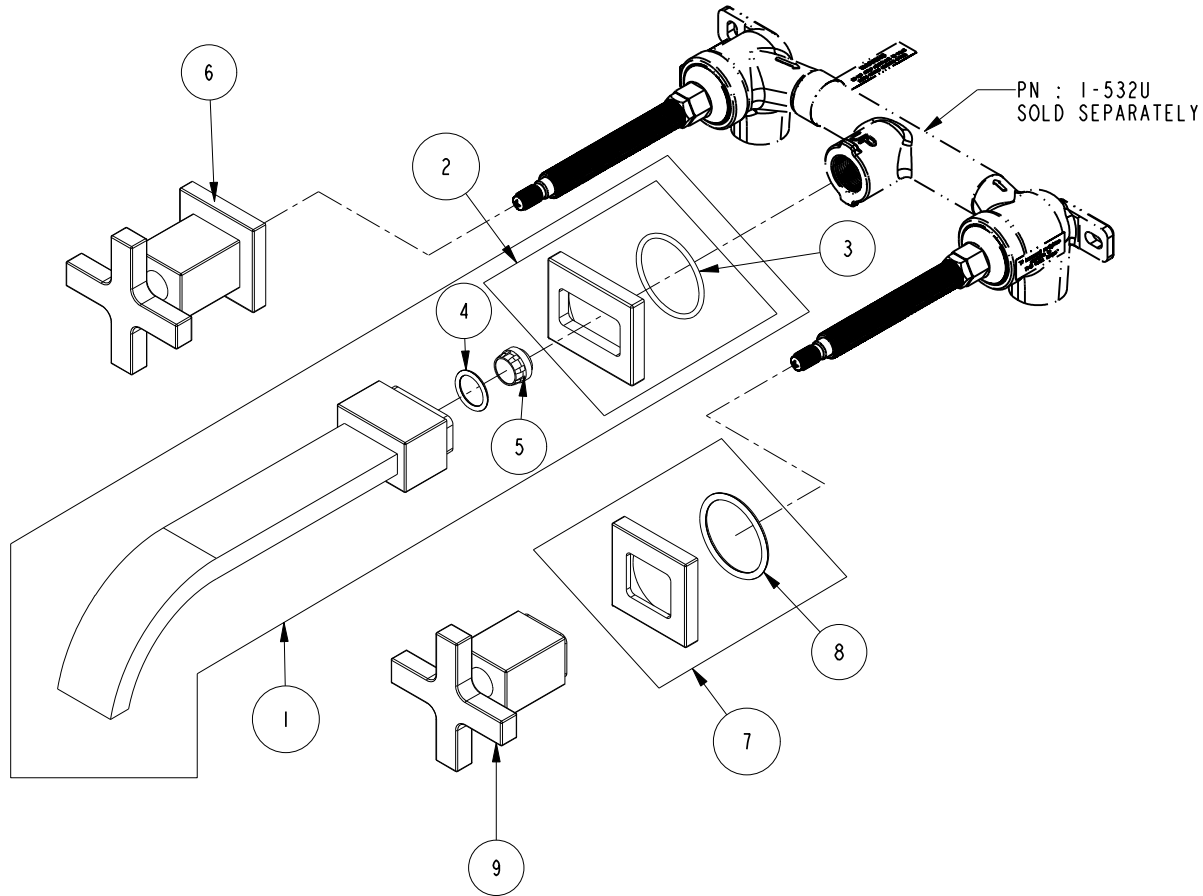


REPLACEMENT PARTS

ITEM	PT/ASSY	SPECIFY FINISH	DESCRIPTION
1	3-327	YES	WALL LAVATORY SPOUT ASM
2	20-751	YES	ESCUTCHEON ASM
3	91772		O-RING, # 2-131, EP, 50 DURO - GREY
4	91030		O-RING, #2- 115, EPDM, 65-75 DURO, NSF 61
5	12403		AERATOR INSERT, Jr. SIZE, 1.2 GPM
6	3-577	YES	HANDLE CROSS/ ESC ASM
7	2-936	YES	HANDLE ESCUTCHEON ASM
8	91748		O-RING, #2-223, EP, 50 DURO - GREY
9	20-175	YES	HANDLE CROSS ASM



WALL MOUNT LAV FAUCET
3-2061

REV B EN-4640-3 04/17/23 APPROVED RS

NEWPORT BRASS.

t: 949.417.5207 | www.newportbrass.com