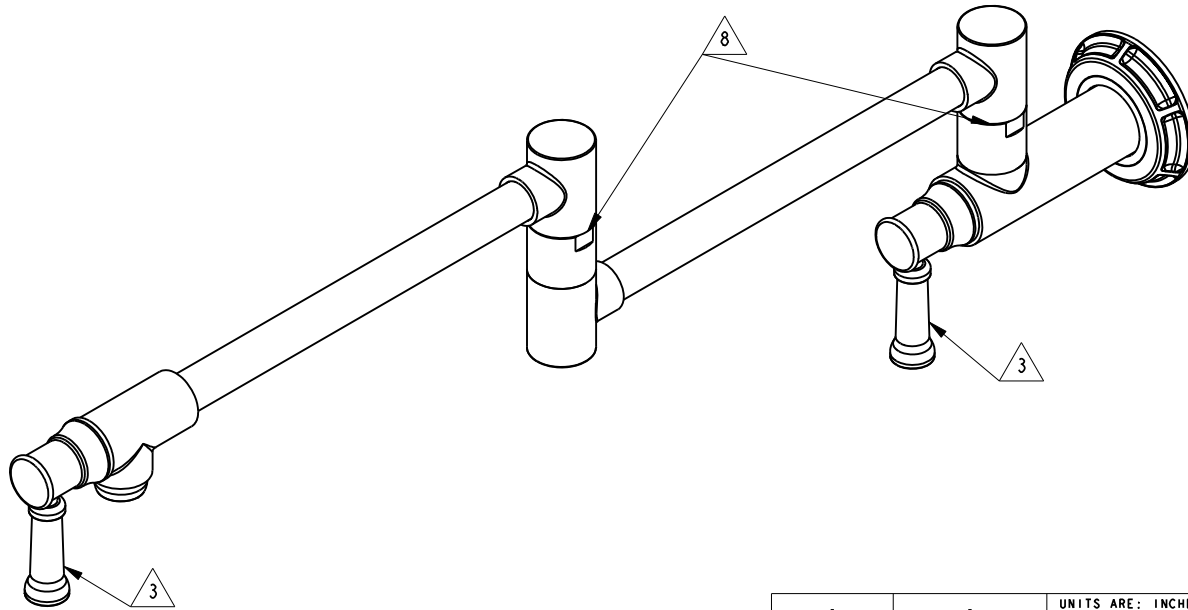


NOTES:

- ① 1. FIT / FORM / FUNCTION SHALL FOLLOW PS-E.008.
- ② 2. PACK THESE ITEMS IN A PLASTIC BAG.
- ③ 3. HANDLE IN CLOSE POSITION.
- ④ 4. INSTALLATION TORQUE 11-14 LB-FT.
- ⑤ 5. INSTALLATION TORQUE 4-6 LB-FT.
- ⑥ 6. APPLY LOCTITE 680.
- ⑦ 7. APPLY LOCTITE 242
- ⑧ 8. SWIVEL CONNECTION SHALL NOT HAVE NOTICEABLE WOBBLINESS AFTER ASSEMBLY.

BILL OF MATERIAL (CURRENT LEVEL)

ITEM	PT/ASSY	DESCRIPTION	TYPE	QTY.
1	11330	VALVE BODY, WALL-END	PART	1
2	11309	FLANGE, MOUNTING	PART	1
3	92223	SCRW, #8 X 2-1/2 PHL FLT HD SS	PART	4
4	92231	SCRW, 1/4-20 X 1/4 SKT HD CUP PT SS	PART	1
5	20-217	FLANGE ASM, CONTEMP	ASSEMBLY	1
6	2-553	LOWER ARM ASM, CONTEMP	ASSEMBLY	1
7	2-552	UPPER ARM ASM, CONTEMP	ASSEMBLY	1
8	1-326	W/S CARTRIDGE FRICTION - HOT	PART	1
9	12750	ADAPTER	PART	2
10	92477	SCRW, M4 X 16 SKT FLT HD SS	PART	2
11	12645	HANDLE HUB	PART	2
12	92192	SCRW, 10-32 X 5/8 SKT HD CUP PT SS	PART	2
13	12640	LEVER HANDLE	PART	2
14	1-437	CARTR 3/8 HOT 1/4 TR	PART	1



ZONE	REV	DESCRIPTION	DATE	APPROVED
-	C	EN-4112	03/24/20	J.M.
-	B	EN-3756	11/26/18	C.G.
-	A	EN-3693	08/29/18	J.M.
-	-	EN-3076	11/11/16	J.M.

COPYRIGHT 2005 BRASSTECH, INC. THESE DRAWINGS AND THE DESIGNS DEPICTED HEREIN ARE THE PROPRIETARY PROPERTY OF BRASSTECH. ANY USE OR REPRODUCTION IS SUBJECT TO THE EXPRESS APPROVAL OF BRASSTECH. UNAUTHORIZED USE IS STRICTLY PROHIBITED. ALL RIGHTS RESERVED.

TESTING	ASSEMBLY	PLATING	POLISHING	MACHINING	TOOLING FIXTURE #
-	-	-	-	-	-
-	-	-	-	-	-
-	-	-	NEXT ASSY	USED ON	-
-	-	-	-	-	-
APPLICATION					
REMOVE ALL BURRS AND SHARP EDGES					

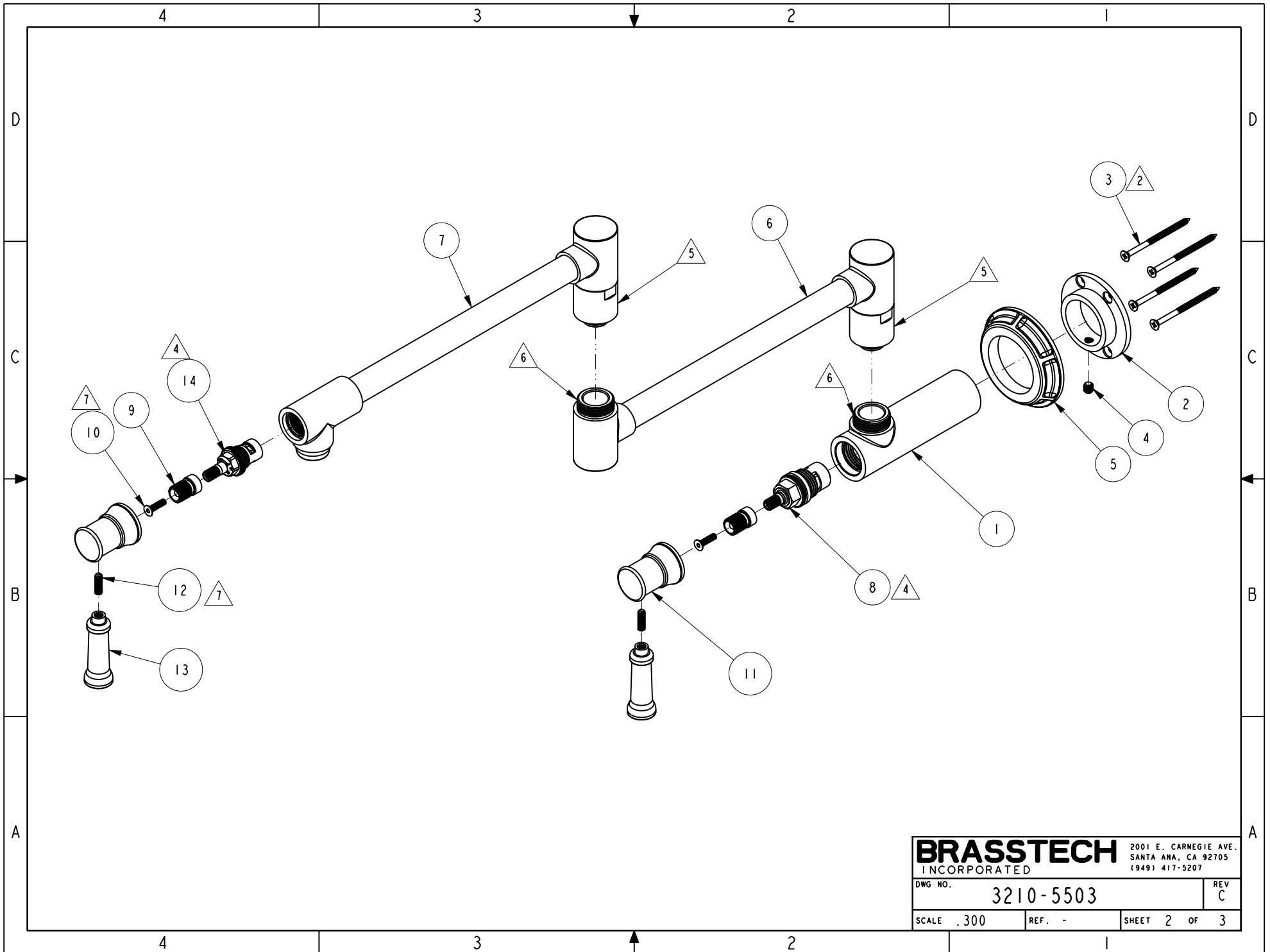
UNITS ARE:	INCHES [MM]
TOLERANCES ARE:	
FRACTIONS	DECIMALS
±1/16"	±.0625
.X ±.1	[2.5]
.XX ±.06	[1.5]
X.XXX DENOTES CRITICAL DIMS.	
ALL THREADS ARE CRITICAL	
DRAWN	JINSON
CHECKED	C.G.
APPROVED	C.G.
	11/26/18
	11/26/18
	11/26/18

**BRASSTECH** 2001 CARNEGIE AVE. SANTA ANA, CA 92705 (949) 417-5207  
INCORPORATED

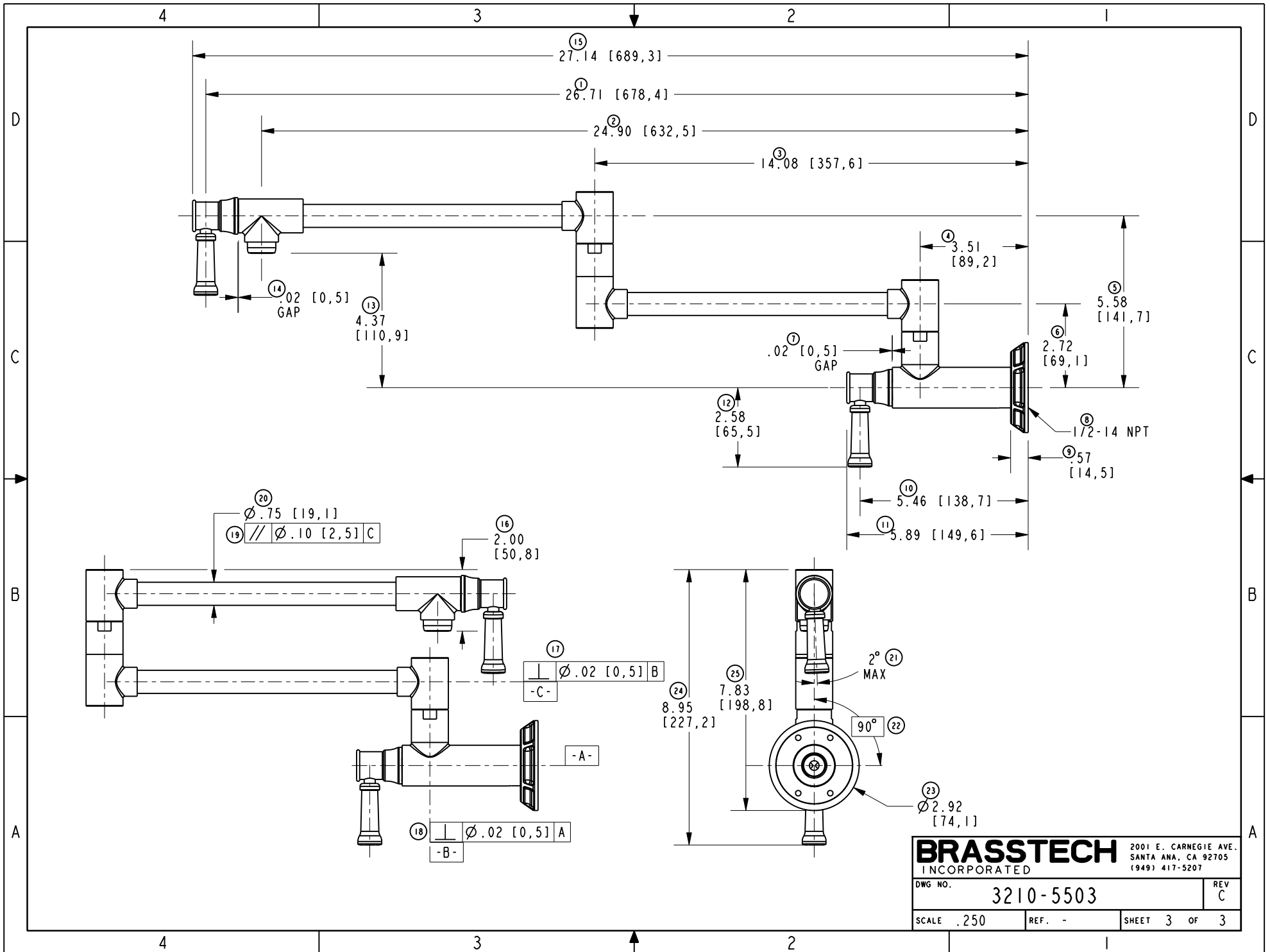
POT FILLER

DWG NO. **3210-5503** REV C

SCALE .300 REF. - SHEET 1 OF 3



<b>BRASSTECH</b> INCORPORATED		2001 E. CARNEGIE AVE. SANTA ANA, CA 92705 (949) 417-5207	
DWG NO.	3210-5503	REV C	
SCALE .300	REF. -	SHEET 2 OF 3	



<b>BRASSTECH</b>		2001 E. CARNEGIE AVE. SANTA ANA, CA 92705 (949) 417-5207	
INCORPORATED			
DWG NO.	3210-5503	REV C	
SCALE .250	REF. -	SHEET 3 OF 3	