

4

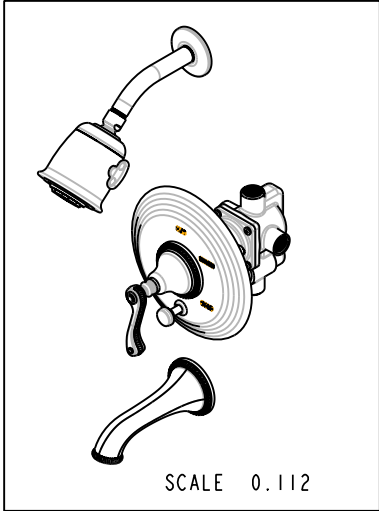
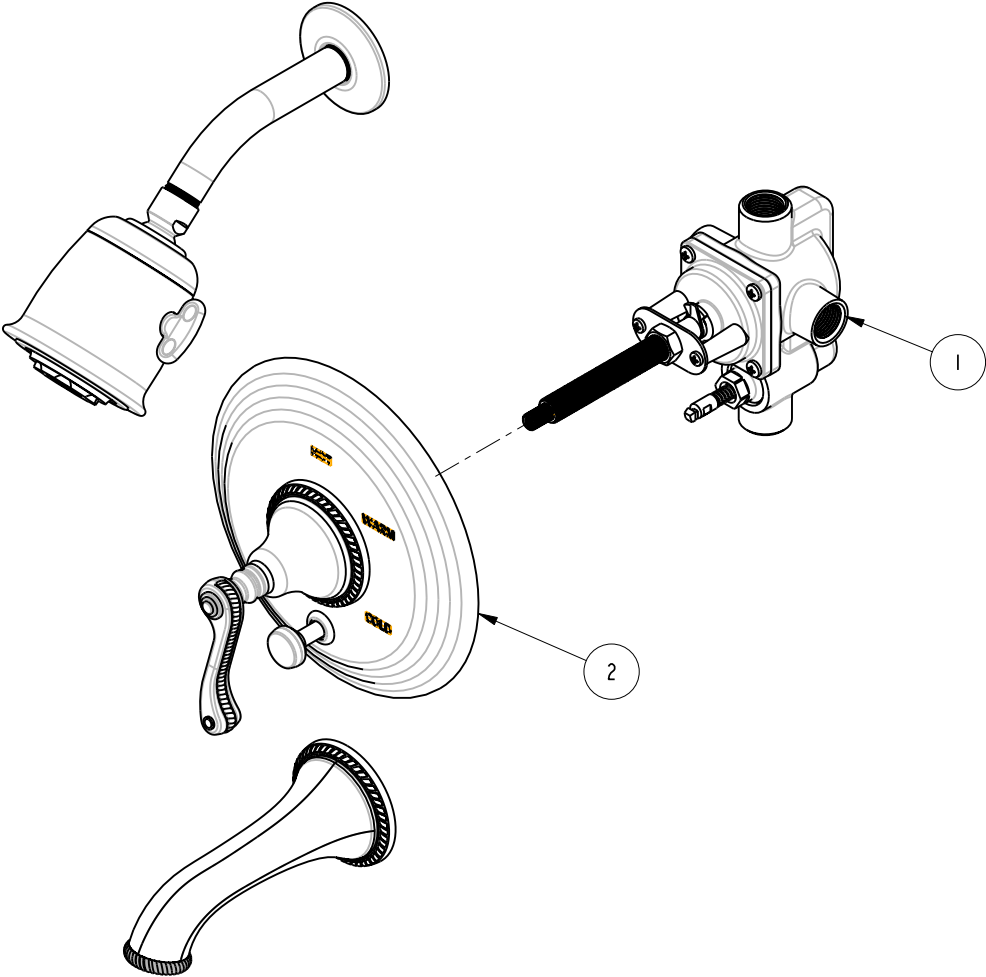
3

2

1

BILL OF MATERIAL (CURRENT LEVEL)

ITEM	PT/ASSY	DESCRIPTION	TYPE	QTY.
1	1-505	BP VALVE ASM W/DIVERTER	ASSEMBLY	1
2	3-982BP	TRIM KIT	ASSEMBLY	1



COPYRIGHT 2005 BRASSTECH, INC. THESE DRAWINGS AND THE DESIGNS DEPICTED HEREIN ARE THE PROPRIETARY PROPERTY OF BRASSTECH. ANY USE OR REPRODUCTION IS SUBJECT TO THE EXPRESS APPROVAL OF BRASSTECH. UNAUTHORIZED USE IS STRICTLY PROHIBITED. ALL RIGHTS RESERVED.

BRASSTECH
 INCORPORATED
 2001 E. CARNEGIE AVE.
 SANTA ANA, CA 92705
 (949) 417-5207

TUB/SHOWER SET W/BP

ASSY. NO.	982BP		
SCALE 0.250	REF. -	SHEET 1 OF 3	REV
A	EO-0224	07/01/03	PRE '95
-	RELEASED		
REV	REV DESC	DATE	

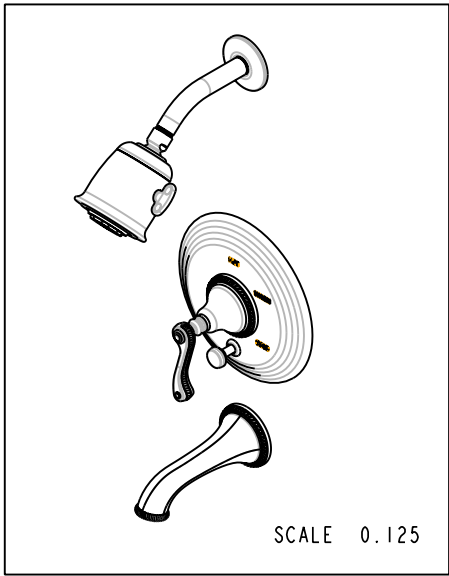
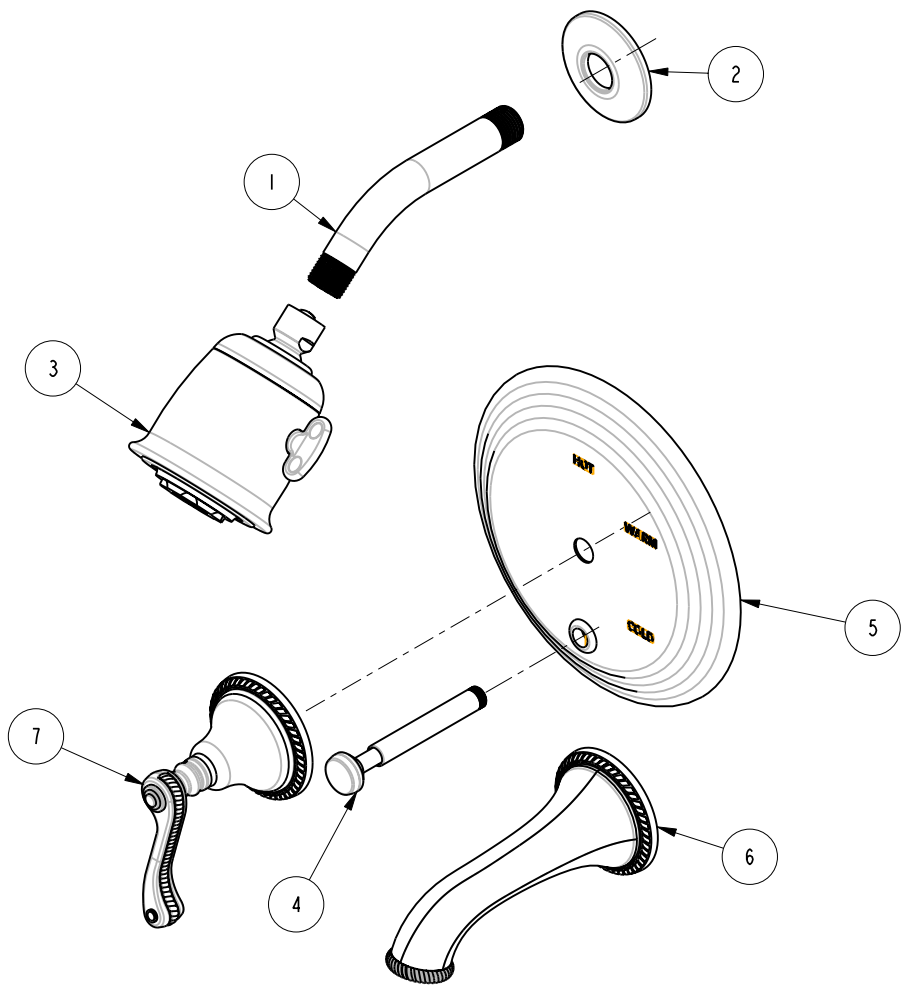
4

3

2

1

BILL OF MATERIAL (CURRENT LEVEL)				
ITEM	PT/ASSY	DESCRIPTION	TYPE	QTY.
1	200	SHOWER ARM 6" BRASS	PART	1
2	206	SHOWER ARM FLANGE 2.5	PART	1
3	2131	BELL SHOWERHEAD	ASSEMBLY	1
4	2-217	DIVERTER TRIM KIT	ASSEMBLY	1
5	2-224	COVERPLATE BP W/DIVERTER	ASSEMBLY	1
6	2-250	WALL TUB SPOUT ASM	ASSEMBLY	1
7	3-188H	TRIM KIT - STOP VALVE	ASSEMBLY	1



COPYRIGHT 2005 BRASSTECH, INC. THESE DRAWINGS AND THE DESIGNS DEPICTED HEREIN ARE THE PROPRIETARY PROPERTY OF BRASSTECH. ANY USE OR REPRODUCTION IS SUBJECT TO THE EXPRESS APPROVAL OF BRASSTECH. UNAUTHORIZED USE IS STRICTLY PROHIBITED. ALL RIGHTS RESERVED.

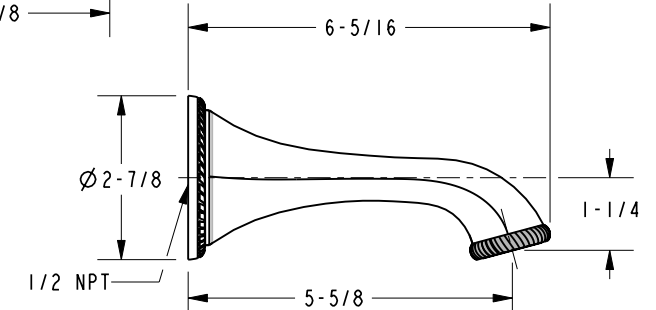
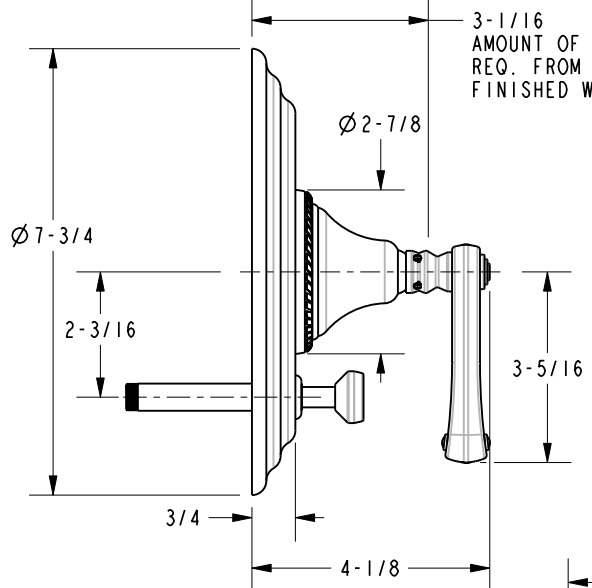
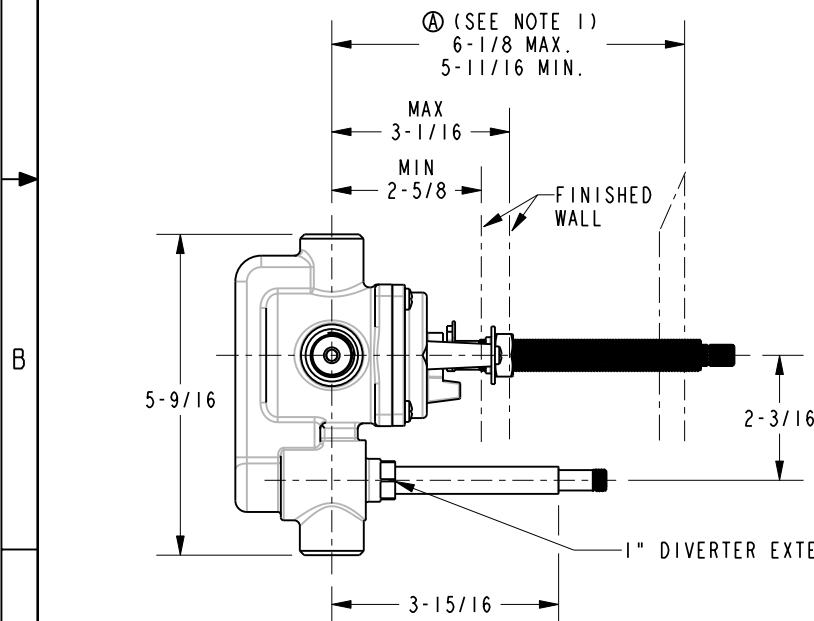
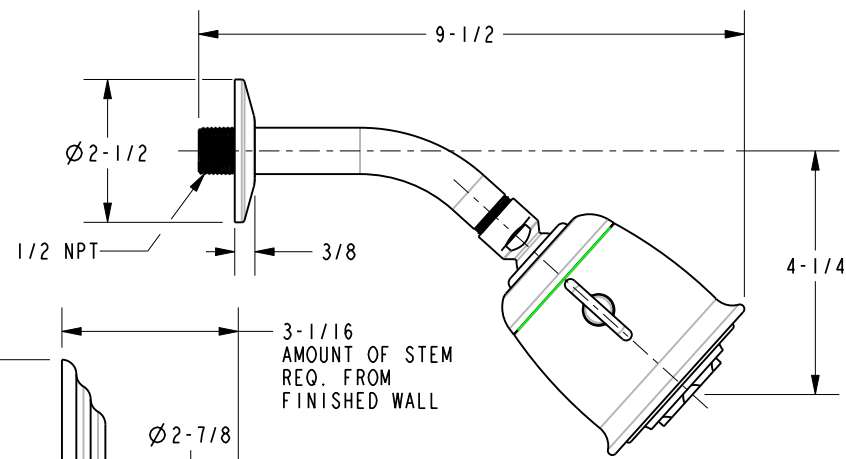
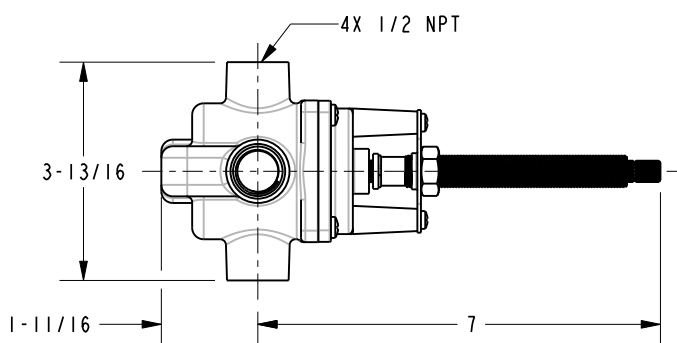
BRASSTECH
INCORPORATED
2001 E. CARNEGIE AVE.
SANTA ANA, CA 92705
(949) 417-5207

TRIM KIT

ASSY. NO.	982BP		A	EO-0224	07/01/03
SCALE 0.250	REF. -	SHEET 2 OF 3	-	RELEASED	PRE '95
			REV	REV DESC	DATE

SPECIFICATION DWG

1. CUT STEM TO DIMENSION "A".
CUT ALL-THREAD 1/2"
SHORTER THAN STEM.



3-1/16
AMOUNT OF STEM
REQ. FROM
FINISHED WALL

DIMENSIONS ARE IN INCHES AND AN APPROXIMATION OF A TYPICAL INSTALLATION

COPYRIGHT 2005 BRASSTECH, INC. THESE DRAWINGS AND THE DESIGNS DEPICTED HEREIN ARE THE PROPRIETARY PROPERTY OF BRASSTECH. ANY USE OR REPRODUCTION IS SUBJECT TO THE EXPRESS APPROVAL OF BRASSTECH. UNAUTHORIZED USE IS STRICTLY PROHIBITED. ALL RIGHTS RESERVED.

BRASSTECH		2001 E. CARNEGIE AVE.	
INCORPORATED		SANTA ANA, CA 92705	
		(949) 417-5207	
DWG NO.	982BP	REV	A
SCALE	0.300	REF.	-
		SHEET	3 OF 3