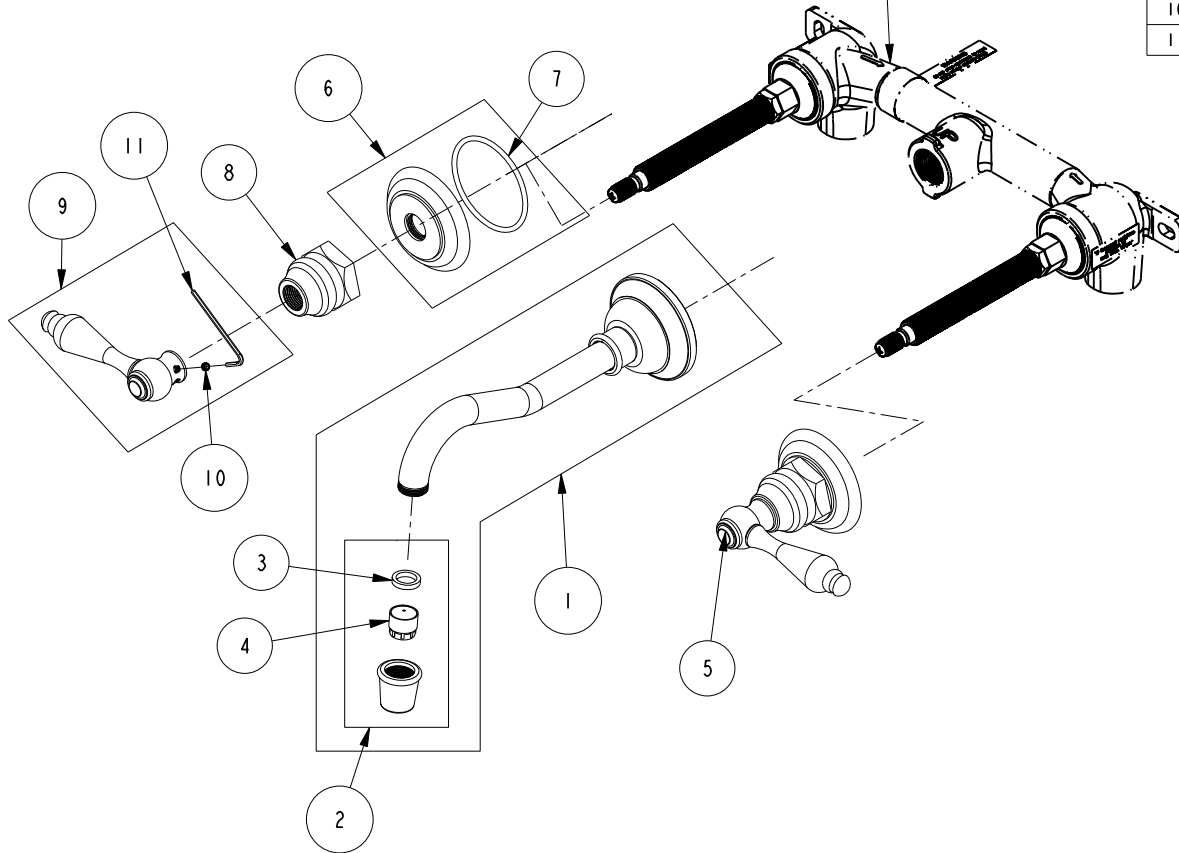


REPLACEMENT PARTS

ITEM	PT/ASSY	SPECIFY FINISH	DESCRIPTION
1	2-218	YES	SPOUT ASM - LAV IN WALL
2	2-633	YES	AERATOR ASM
3	91265		WSHR, 11 ID X 15 OD X 2.8 MM THK, FLT, RUBBER NSF 61 APPR
4	12402		AERATOR INSERT, TT SIZE, 1.2 GPM
5	3-163L	YES	LEVER HANDLE ASM
6	20-742	YES	ESCUTCHEON ASM
7	91753		O-RING, # 2-136, EP, 50 DURO - GREY
8	10523	YES	HEX ESCUTCHEON BONNET
9	2-116	YES	LEVER HANDLE (BRASS)
10	92000		SCREW 8 - 32 X 1/8 SS
11	10192		HEX KEY TOOL, #8 5/64

PN: 1-532U
SOLD SEPARATELY



TRIM KIT 3-9301L
3-9301L

REV D EN-4640 04/05/23 APPROVED RS

NEWPORT BRASS.

t: 949.417.5207 | www.newportbrass.com