

4

3

2

1

BILL OF MATERIAL (CURRENT LEVEL)

ITEM	PT/ASSY	DESCRIPTION	TYPE	QTY.
1	11029	SLEEVE - THERMO	PART	1
2	91308	TEMP LIMIT STOP - THERMO	PART	1
3	92113	SCRW M4 X .7 X 35	PART	1
4	2-147	870 HANDLE	ASSEMBLY	1
5	2-336	THERMO BONNET ASM-TRAD.	ASSEMBLY	1
6	2-338	THERMO SQUARE PLATE ASSEMBLY	ASSEMBLY	1

D

D

C

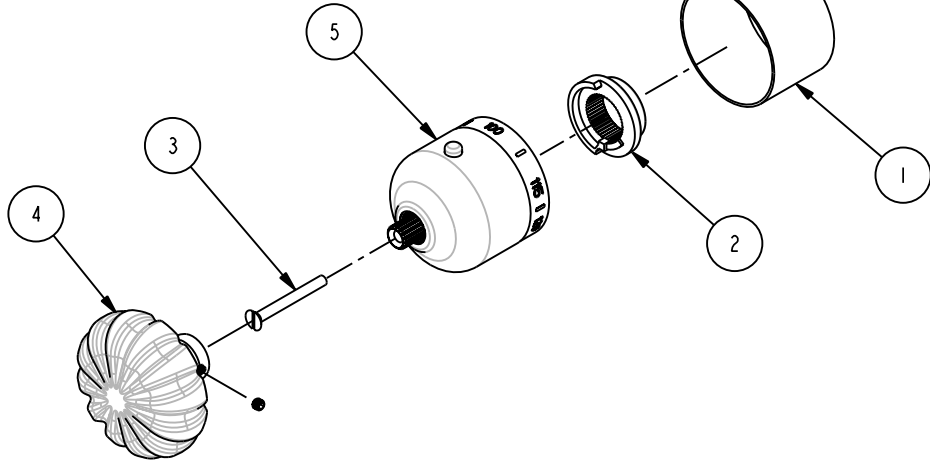
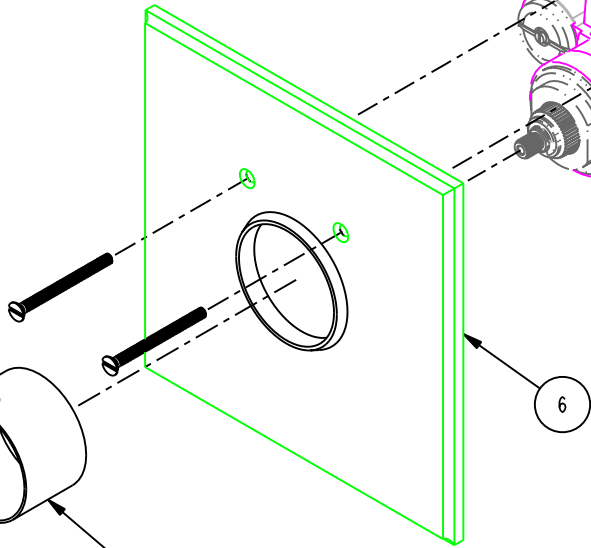
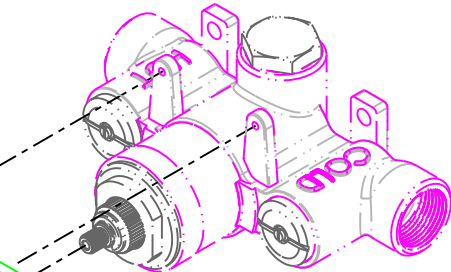
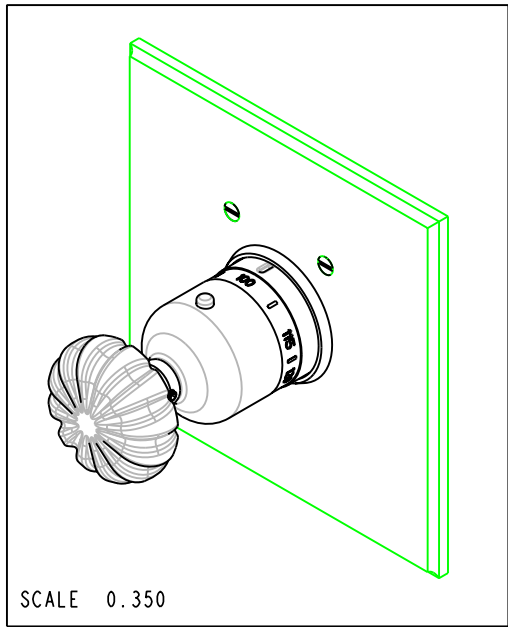
C

B

B

A

A



BRASSTECH 2001 E. CARNEGIE AVE
 INCORPORATED SANTA ANA, CA 92705
 (949) 417-5207

SQUARE TRIM THERMO

ASSY. NO. 3-874TS

A	EO-0078	09/16/02
-	RELEASED	03/01/01
REV	REV DESC	DATE

SCALE 0.350 REF. - SHEET 1 OF 1 COPYRIGHT ©

4

3

2

1