

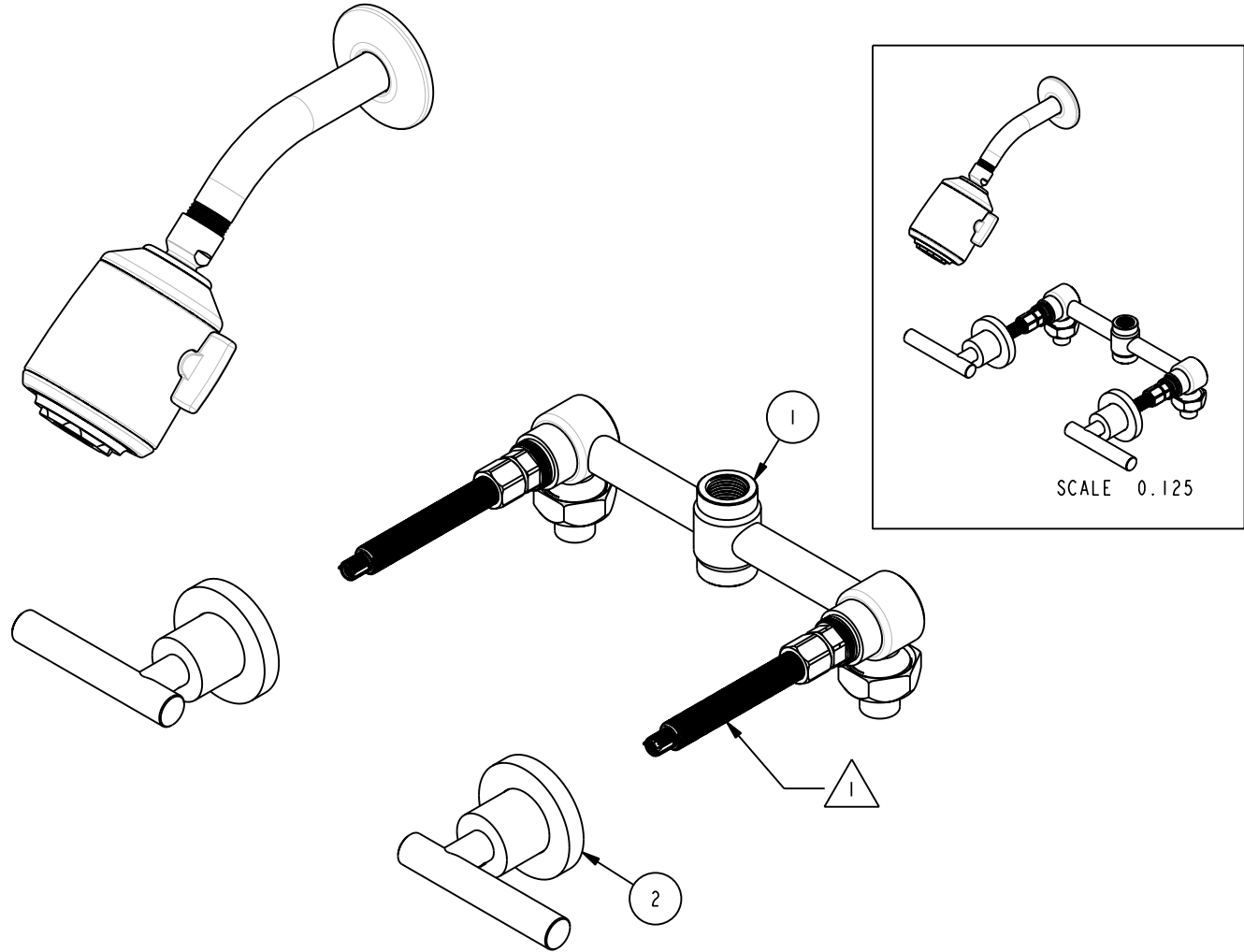
NOTES:



VALVE SHOWN WITH TORQ-ABLE CARTRIDGES THAT ARE SUPPLIED WITH TRIM KIT. THESE CARTRIDGES MUST BE USED TO REPLACE CARTRIDGES THAT ARE SHIPPED WITH VALVES. TORQUE TO 14-16 FT-LBS.

**BILL OF MATERIAL (CURRENT LEVEL)**

ITEM	PT/ASSY	DESCRIPTION	TYPE	QTY.
1	1-500	T/S 2 - VALVE ROUGH	ASSEMBLY	1
2	3-994L	TRIM KIT - SHOWER SET	ASSEMBLY	1



COPYRIGHT 2005 BRASSTECH, INC. THESE DRAWINGS AND THE DESIGNS DEPICTED HEREIN ARE THE PROPRIETARY PROPERTY OF BRASSTECH. ANY USE OR REPRODUCTION IS SUBJECT TO THE EXPRESS APPROVAL OF BRASSTECH. UNAUTHORIZED USE IS STRICTLY PROHIBITED. ALL RIGHTS RESERVED.

**BRASSTECH**  
INCORPORATED  
2001 E. CARNEGIE AVE.  
SANTA ANA, CA 92705  
(949) 417-5207

SHOWER SET - 2 VALVE

ASSY. NO.	994L	A	EO-0264	09/18/03
SCALE 0.300	REF. -	-	RELEASED	11/02/99
SHEET 1 OF 3	REV	REV DESC	DATE	

4

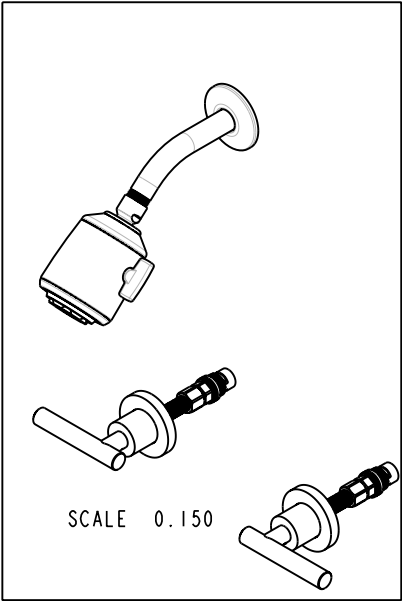
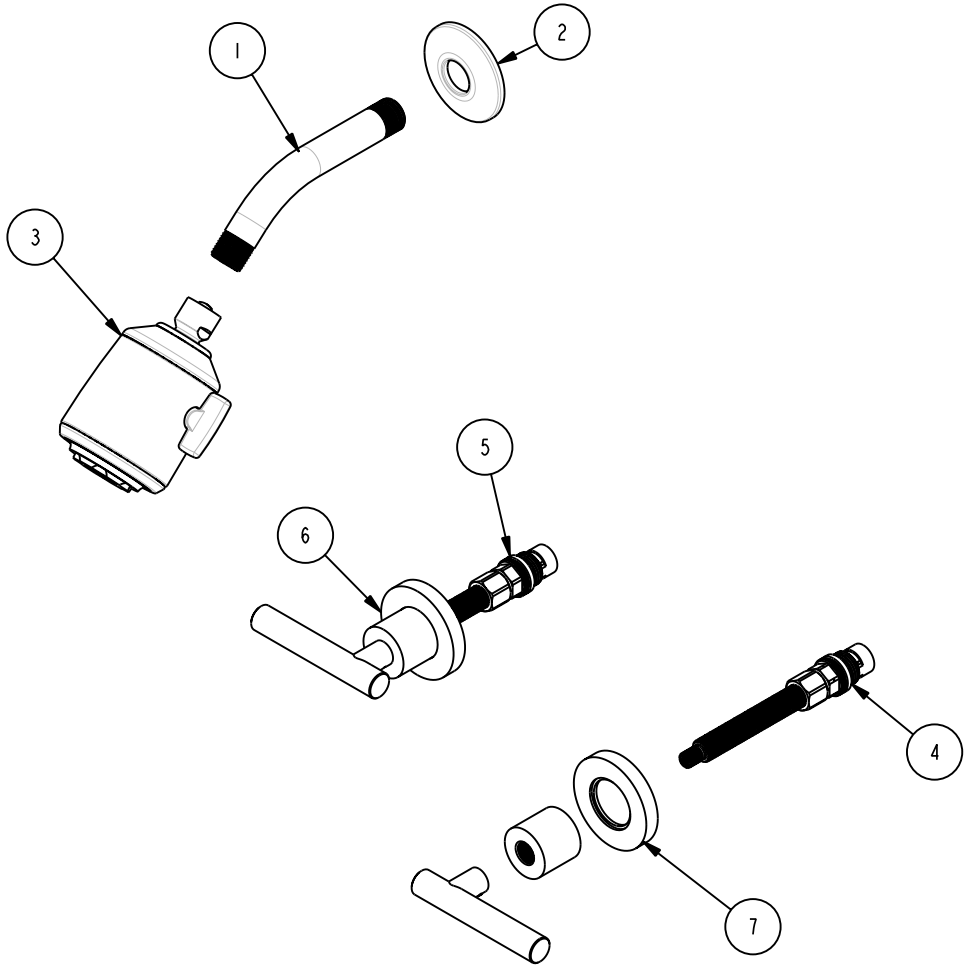
3

2

1

**BILL OF MATERIAL (CURRENT LEVEL)**

ITEM	PT/ASSY	DESCRIPTION	TYPE	QTY.
1	200	SHOWER ARM 6" BRASS	PART	1
2	206	SHOWER ARM FLANGE 2.5	PART	1
3	213	SHOWERHEAD ONLY	ASSEMBLY	1
4	1-543	T/S TORQ. CARTRIDGE COLD	ASSEMBLY	1
5	1-544	T/S TORQ. CARTRIDGE HOT	ASSEMBLY	1
6	3-227LC	HANDLE TRIM ASM - COLD	ASSEMBLY	1
7	3-227LH	HANDLE TRIM ASM - HOT	ASSEMBLY	1



COPYRIGHT 2005 BRASSTECH, INC. THESE DRAWINGS AND THE DESIGNS DEPICTED HEREIN ARE THE PROPRIETARY PROPERTY OF BRASSTECH. ANY USE OR REPRODUCTION IS SUBJECT TO THE EXPRESS APPROVAL OF BRASSTECH. UNAUTHORIZED USE IS STRICTLY PROHIBITED. ALL RIGHTS RESERVED.

**BRASSTECH**  
 INCORPORATED  
 2001 E. CARNEGIE AVE.  
 SANTA ANA, CA 92705  
 (949) 417-5207

TRIM KIT - SHOWER SET

ASSY. NO.	994L		A	EO-0264	09/18/03
SCALE 0.225	REF. -	SHEET 2 OF 3	-	RELEASED	11/02/99
			REV	REV DESC	DATE

4

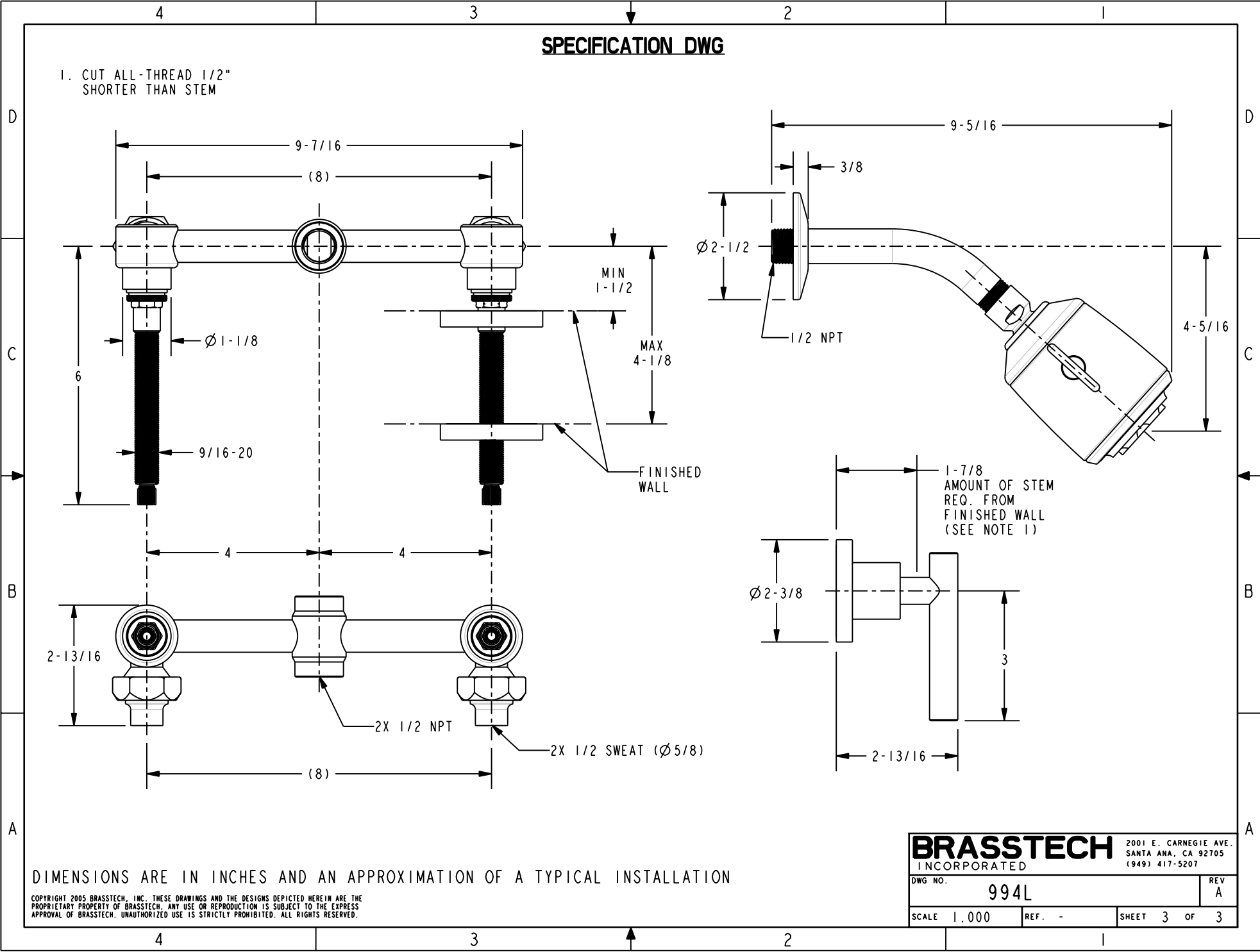
3

2

1

**SPECIFICATION DWG**

1. CUT ALL-THREAD 1/2"  
SHORTER THAN STEM



2-13/16

$\phi 1-1/8$

9/16-20

MIN  
1-1/2

MAX  
4-1/8

FINISHED  
WALL

2X 1/2 NPT

2X 1/2 SWEAT ( $\phi 5/8$ )

$\phi 2-1/2$

1/2 NPT

1-7/8  
AMOUNT OF STEM  
REQ. FROM  
FINISHED WALL  
(SEE NOTE 1)

$\phi 2-3/8$

3

2-13/16

DIMENSIONS ARE IN INCHES AND AN APPROXIMATION OF A TYPICAL INSTALLATION

COPYRIGHT 2005 BRASSTECH, INC. THESE DRAWINGS AND THE DESIGNS DEPICTED HEREIN ARE THE PROPRIETARY PROPERTY OF BRASSTECH. ANY USE OR REPRODUCTION IS SUBJECT TO THE EXPRESS APPROVAL OF BRASSTECH. UNAUTHORIZED USE IS STRICTLY PROHIBITED. ALL RIGHTS RESERVED.

<b>BRASSTECH</b>		2001 E. CARNEGIE AVE. SANTA ANA, CA 92705 (949) 417-5207	
DWG NO.	994L	REV	A
SCALE	1.000	REF.	-
		SHEET	3 OF 3