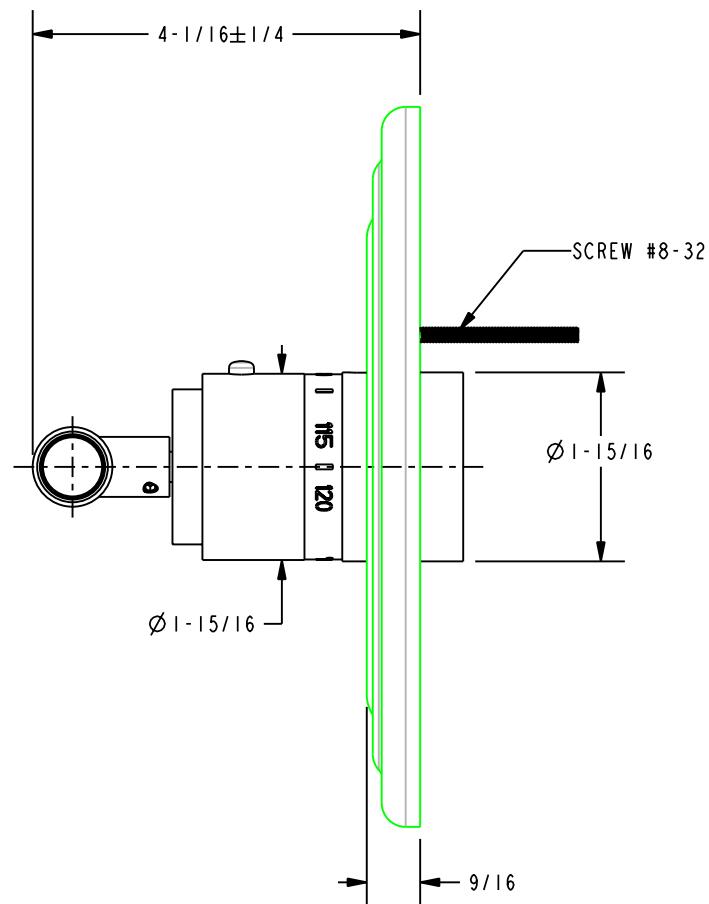
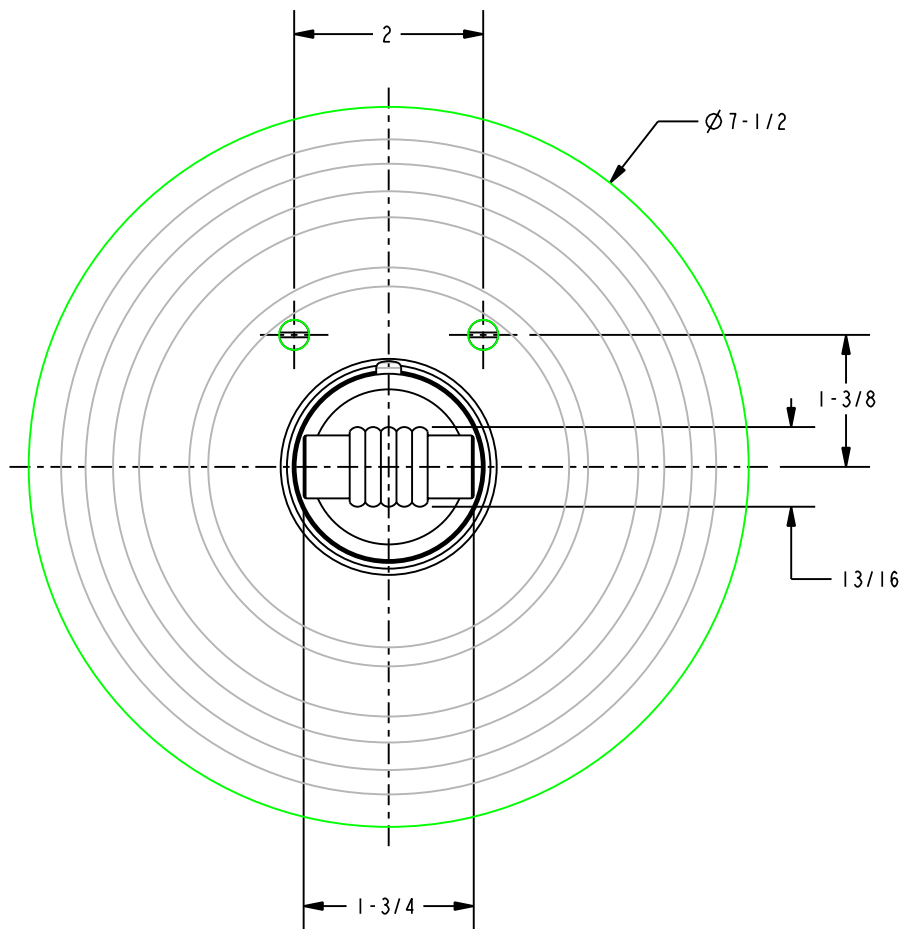


SPECIFICATION DWG



DIMENSIONS ARE IN INCHES AND AN APPROXIMATION OF A TYPICAL INSTALLATION

BRASSTECH INCORPORATED
 2001 E. CARNEGIE AVE.
 SANTA ANA, CA 92705
 (949) 417-5207

ROUND TRIM THERMO

ASSY. NO. **3-904TR_SPEC**

SCALE 0.500

REF. -

SHEET 1 OF 1

COPYRIGHT ©

| | | |
|-----|----------|----------|
| A | EO-0078 | 09/16/02 |
| - | RELEASED | 03/01/01 |
| REV | REV DESC | DATE |