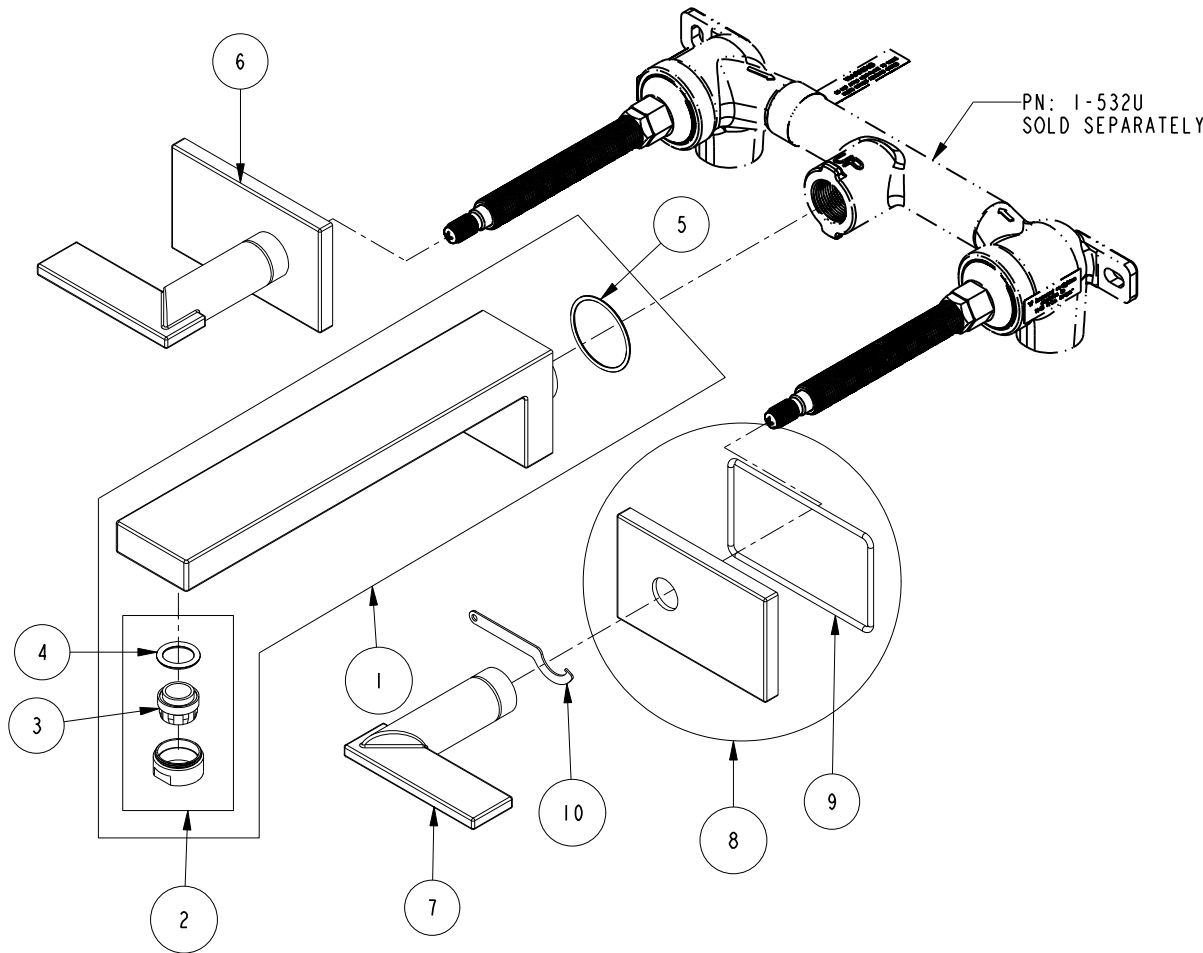


REPLACEMENT PARTS

ITEM	PT/ASSY	SPECIFY FINISH	DESCRIPTION
1	8-028	YES	WALL LAVATORY SPOUT ASM
2	8-176	YES	AERATOR ASM, 1.2 GPM
3	12403		AERATOR INSERT, Jr. SIZE, 1.2 GPM
4	91028		O-RING, #2- 113, EPDM, 65-75 DURO, NSF 61
5	91764		O-RING, #2-027, EP, 50 DURO - GREY
6	3-609	YES	LEVER HANDLE ASM
7	20-300	YES	LEVER ASM
8	8-025	YES	WIDESPREAD ESCUTCHEON BASE ASM
9	91761		O-RING, #2-152, 50 DURO
10	92870		LEVER WRENCH



W/M LAVATORY FAUCET
3-2541

REV D EN-4640-2 04/11/23 APPROVED RS

NEWPORT BRASS.

t: 949.417.5207 | www.newportbrass.com