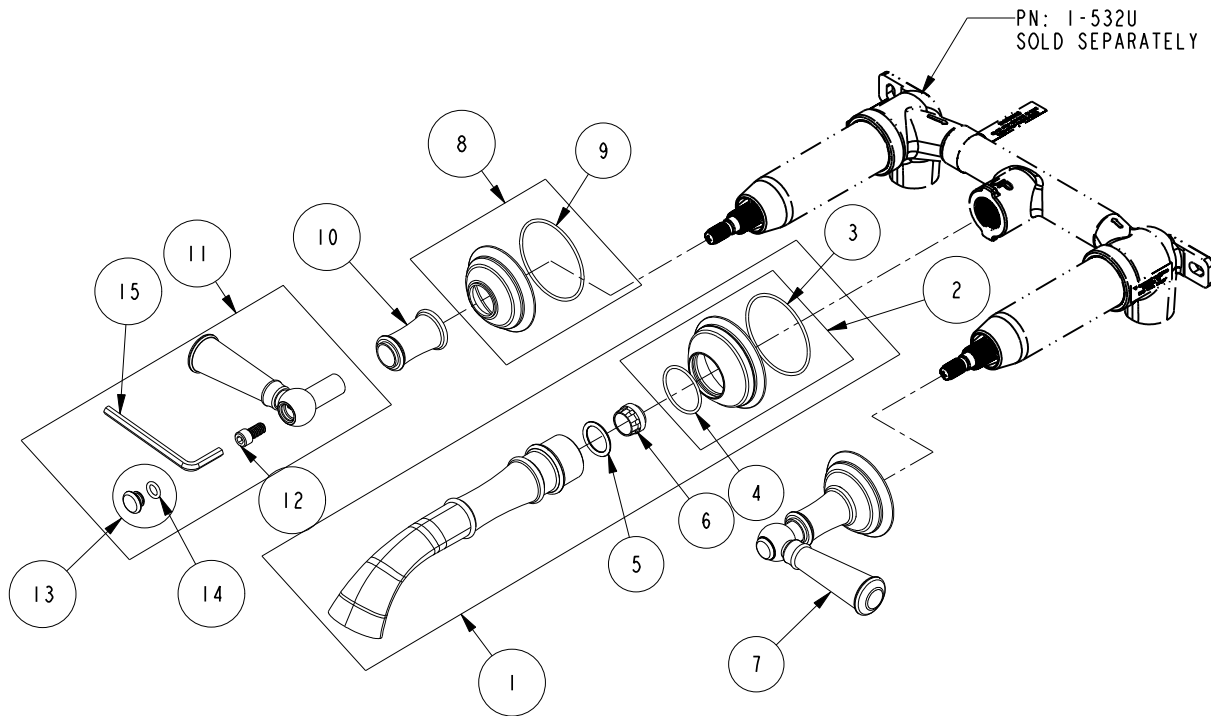


REPLACEMENT PARTS

ITEM	PT/ASSY	SPECIFY FINISH	DESCRIPTION
1	3-380	YES	SPOUT ASM, WITH ESC WALL LAV
2	2-663	YES	ESCUTCHEON, WALL LAV SPOUT
3	91757		O-RING, #2-033, EPDM, 50 DURO
4	91144		O-RING, #2-024, EPDM, 65-75 DURO
5	91030		O-RING, #2-115, EPDM, 65-75 DURO, NSF 61
6	12403		AERATOR INSERT, Jr. SIZE, 1.2 GPM
7	3-373	YES	LEVER HANDLE AND ESC. ASM
8	2-652	YES	HANDLE ESCUTCHEON ASM
9	91757		O-RING, #2-033, EPDM, 50 DURO
10	11590	YES	HANDLE BONNET
11	2-636	YES	LEVER HANDLE ASSEMBLY
12	92141		SCREW, CAP HD 1/4-20 X 1/2
13	20-682	YES	HANDLE CAP ASM
14	91158		O-RING, 2 X 7MM ID, EPDM, 65-75 DURO
15	92846		HEX KEY, 3/16" ALLOY STEEL



WALL MOUNTED LAVATORY TRIM KIT ASM
3-2411

REV D EN-4640 04/04/23 APPROVED RS

NEWPORT BRASS.

t: 949.417.5207 | www.newportbrass.com