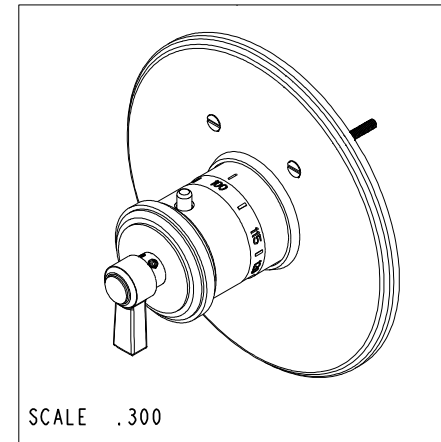
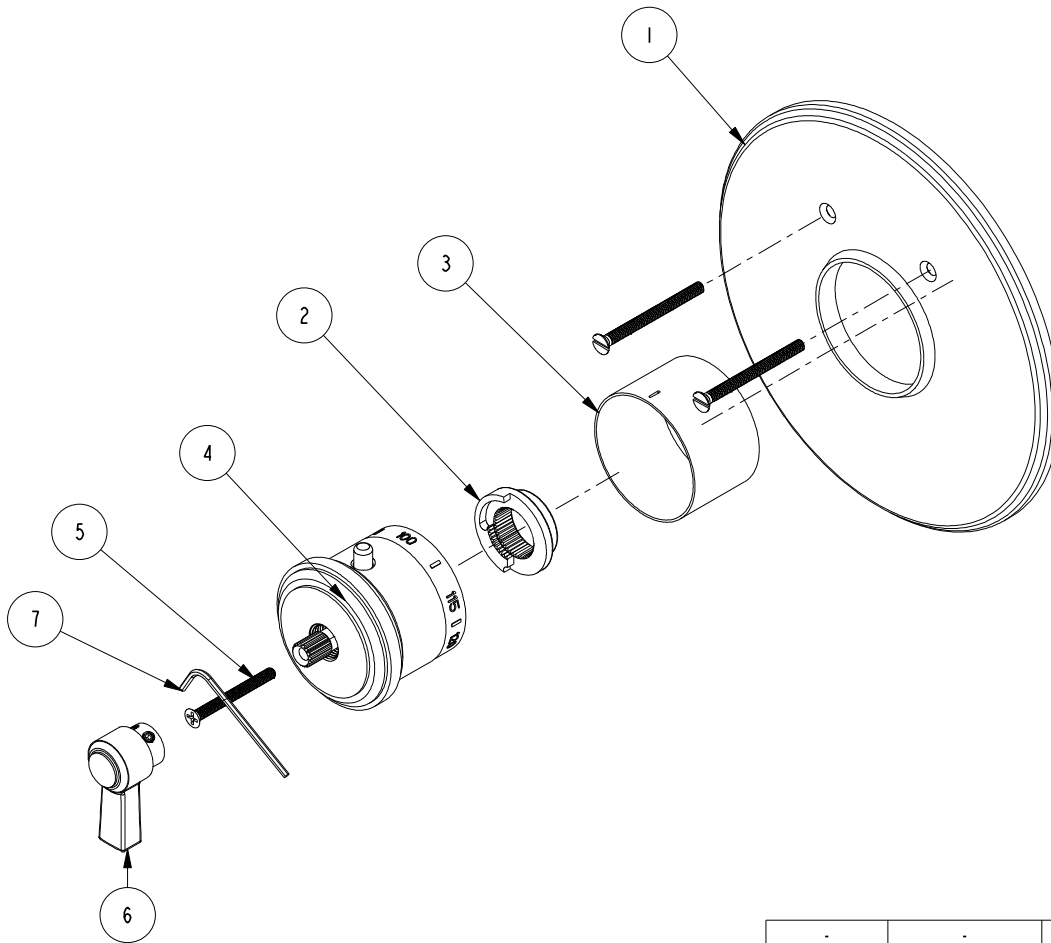


NOTES:

1. TO INSPECT ASSEMBLY, FOLLOW FIRST ARTICLE AND IN PROCESS INSPECTION SHEET.

BILL OF MATERIAL (CURRENT LEVEL)

ITEM	PT/ASSY	DESCRIPTION	TYPE	QTY.
1	2-440	THERMO SHOWERPLATE ROUND	ASSEMBLY	1
2	91308	TEMP LIMIT STOP - THERMO	PART	1
3	11029	SLEEVE - THERMO	PART	1
4	2-441	THERMO BONNET ASM	ASSEMBLY	1
5	92113	SCRW, M4 X .7 X 40 PHL FLT HD SS	PART	1
6	2-442	LEVER HANDLE ASM	ASSEMBLY	1
7	10192	HEX KEY TOOL, #8 5/64	PART	1



ZONE	REV	DESCRIPTION	DATE	APPROVED
-	A	EN-3961-2	07/06/20	J.M.
-	-	EO-0255	01/27/04	-

COPYRIGHT 2005 BRASSTECH, INC. THESE DRAWINGS AND THE DESIGNS DEPICTED HEREIN ARE THE PROPRIETARY PROPERTY OF BRASSTECH. ANY USE OR REPRODUCTION IS SUBJECT TO THE EXPRESS APPROVAL OF BRASSTECH. UNAUTHORIZED USE IS STRICTLY PROHIBITED. ALL RIGHTS RESERVED.

TESTING	-	-	-
ASSEMBLY	-	-	-
PLATING	-	-	-
POLISHING	-	NEXT ASSY	USED ON
MACHINING	-	APPLICATION	
TOOLING FIXTURE #	REMOVE ALL BURRS AND SHARP EDGES		

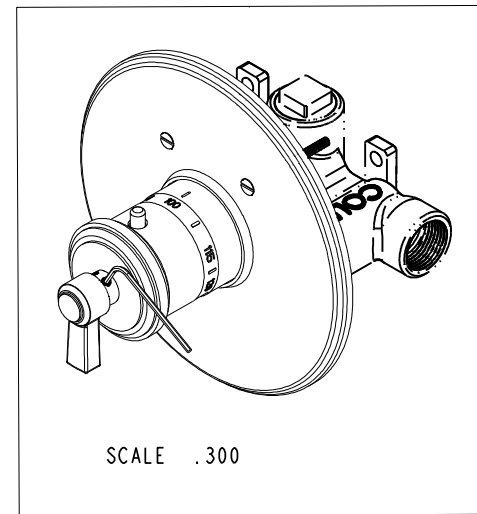
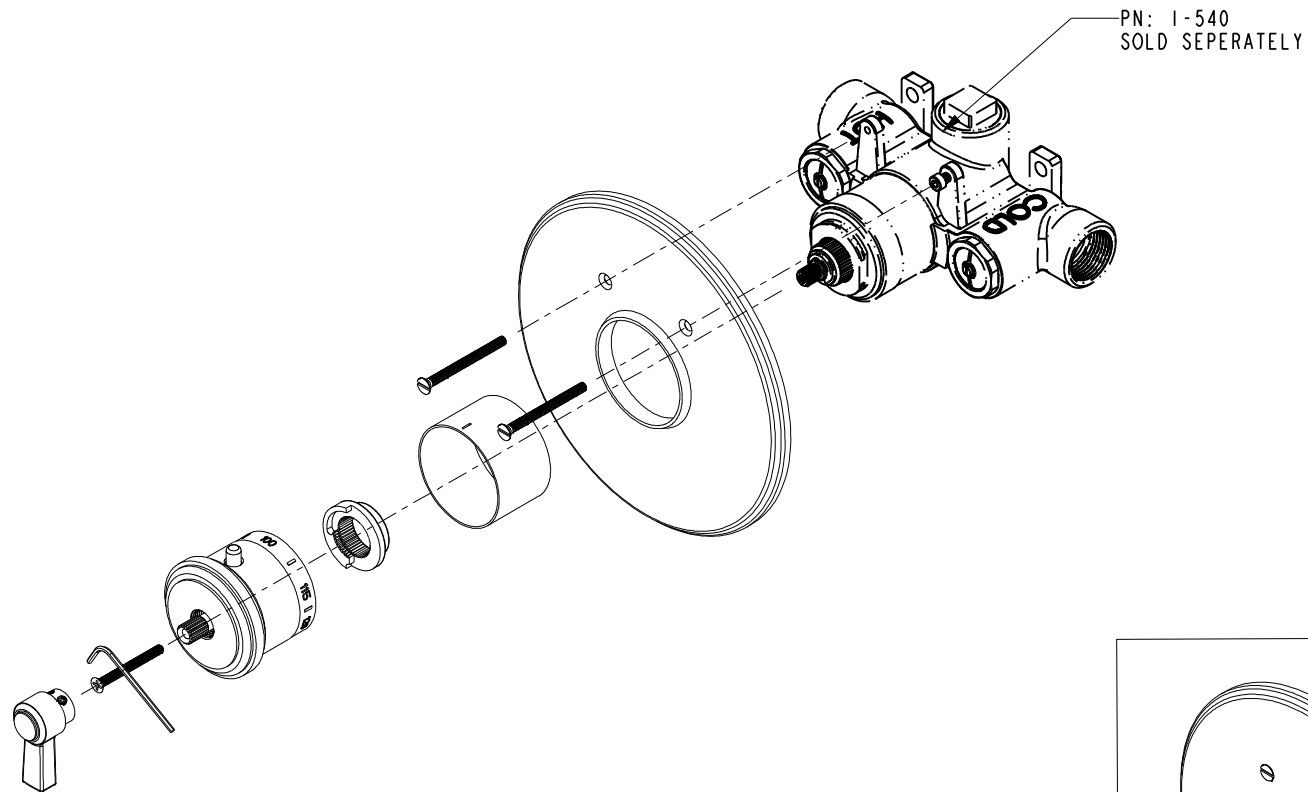
UNITS ARE: INCHES [MM]	
TOLERANCES ARE:	
FRACTIONS	DECIMALS
±1/16"	.X ±.1 [2.5]
	.XX ±.06 [1.5]
(X.XXX) DENOTES CRITICAL DIMS. ALL THREADS ARE CRITICAL	
DRAWN	01/27/04
CHECKED	01/27/04
APPROVED	01/27/04

BRASSTECH 2001 CARNEGIE AVE. SANTA ANA, CA 92705 (949) 417-5207
 INCORPORATED

THERMO TRIM KIT - SHWR SET

DWG NO. **3-1624TR** REV **A**

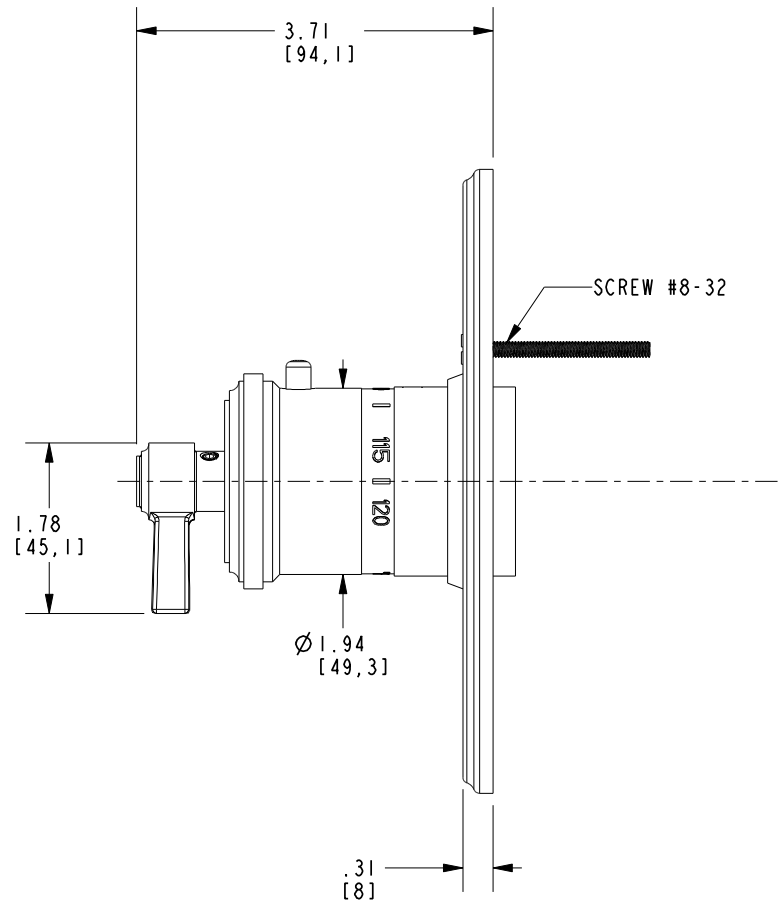
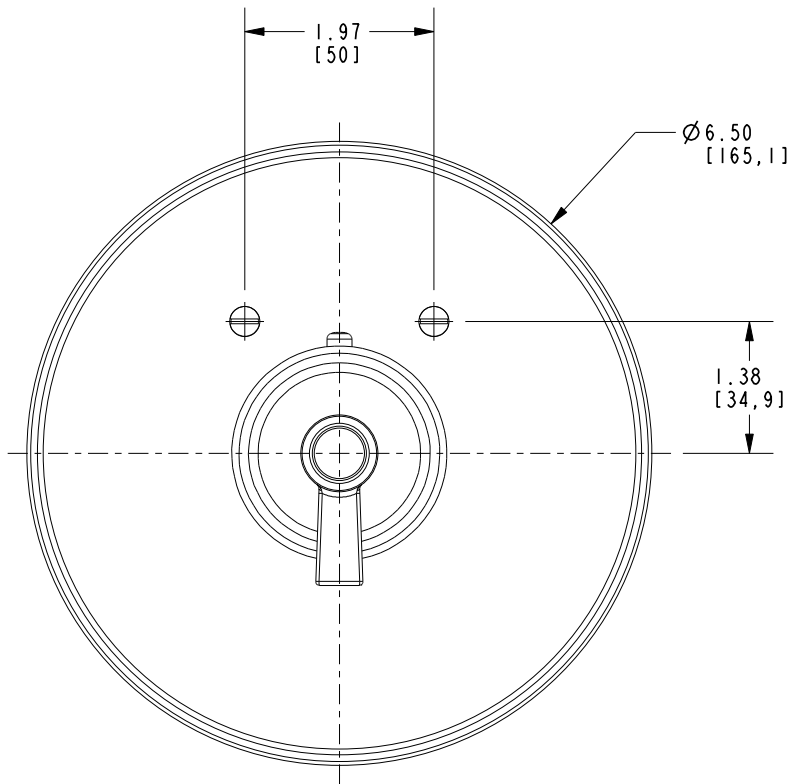
SCALE **.375** REF. - SHEET **1** OF **3**



BRASSTECH

2001 CARNEGIE AVE.
SANTA ANA, CA 92705
(949) 417-5207

INCORPORATED		REV
DWG NO.	3-1624TR	A
SCALE .300	REF. -	SHEET 2 OF 3



BRASSTECH		2001 CARNEGIE AVE. SANTA ANA, CA 92705 (949) 417-5207	
INCORPORATED			
DWG NO.	3-1624TR	REV	A
SCALE	.300	REF.	-
		SHEET	3 OF 3