

NOTES:

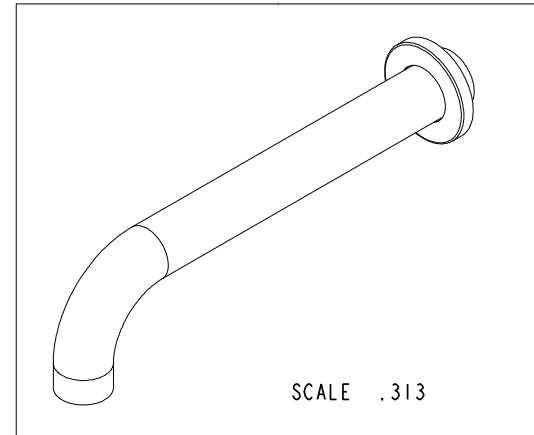
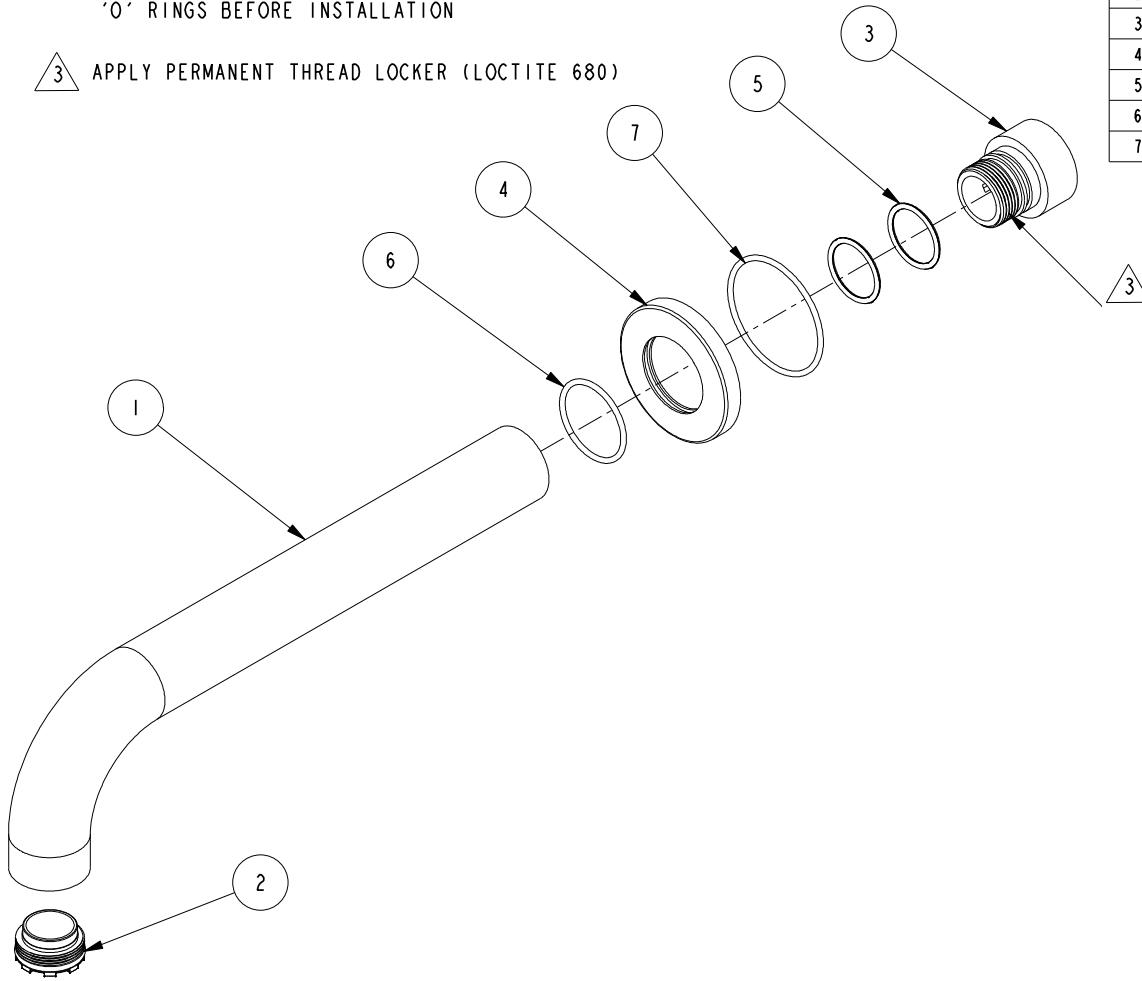
1. TO INSPECT ASSEMBLY, FOLLOW FIRST ARTICLE AND IN PROCESS INSPECTION SHEET.

2. APPLY THIN COAT OF SILICON GREASE ON TO ALL 'O' RINGS BEFORE INSTALLATION

3. APPLY PERMANENT THREAD LOCKER (LOCTITE 680)

BILL OF MATERIAL (CURRENT LEVEL)

ITEM	PT/ASSY	DESCRIPTION	TYPE	QTY.
1	2-744	W/M TUB- SPOUT BRAZE ASM	ASSEMBLY	1
2	11711	HIDDEN FAUCET AERATOR	PART	1
3	11894	WALL MOUNT TUB - ADAPTER	PART	1
4	12285	W/M TUB- ESCUTCHEON	PART	1
5	91022	O-RING, #2- 018, EPDM, 65-75 DURO, NSF 61	PART	2
6	91024	O-RING, #2- 022, EPDM, 65-75 DURO	PART	1
7	91766	O-RING, #2-029, 50 DURO	PART	1



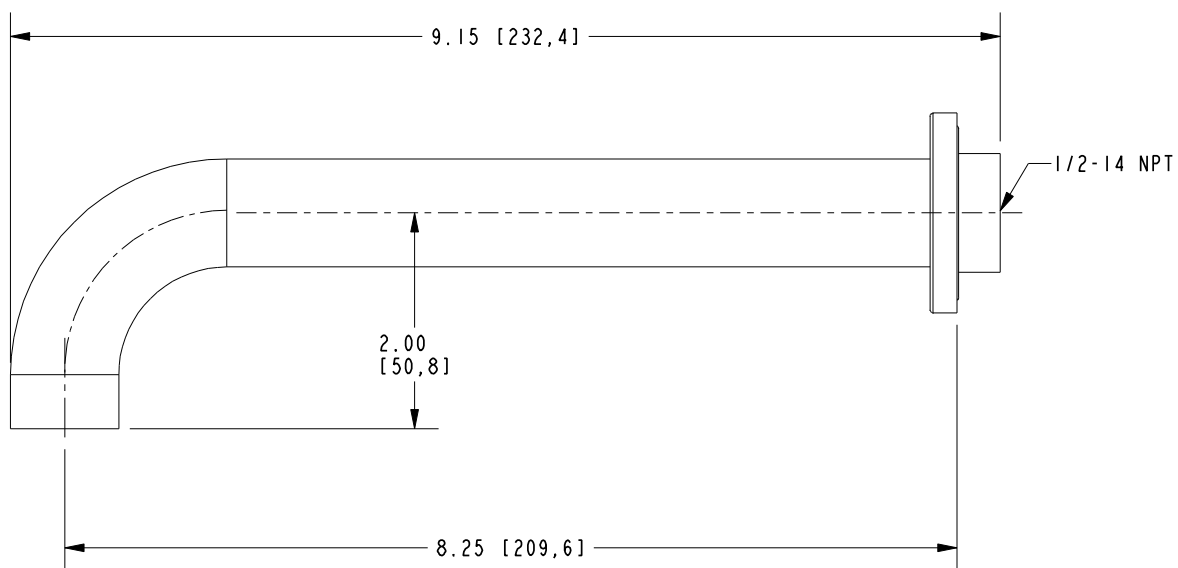
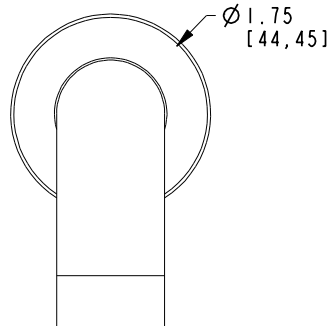
-	F	EN-4300ii	01/25/21	R.S.
-	E	EN-3722	02/08/19	C.G.
-	D	EN-3296	03/30/17	J.M.
-	C	EN-3115	08/16/16	J.M.
-	B	EN-2541-1	09/05/14	J.M.
-	A	EN-0995-3	03/10/11	-
-	-	EN-0995-3	01/31/11	-
ZONE	REV	DESCRIPTION	DATE	APPROVED

COPYRIGHT 2005 BRASSTECH, INC. THESE DRAWINGS AND THE DESIGNS DEPICTED HEREIN ARE THE PROPRIETARY PROPERTY OF BRASSTECH. ANY USE OR REPRODUCTION IS SUBJECT TO THE EXPRESS APPROVAL OF BRASSTECH. UNAUTHORIZED USE IS STRICTLY PROHIBITED. ALL RIGHTS RESERVED.

TESTING	-	-	-
ASSEMBLY	-	-	-
PLATING	-	3-3105	3-3105
POLISHING	-	NEXT ASSY	USED ON
MACHINING	-	APPLICATION	
TOOLING FIXTURE #	REMOVE ALL BURRS AND SHARP EDGES		

UNITS ARE: INCHES [MM]			
TOLERANCES ARE:			
FRACTIONS	DECIMALS	ANGLES	
±1/16"	.X ±.1 [2.5]	±1°	
	.XX ±.06 [1.5]		
(X.XXX) DENOTES CRITICAL DIMS. ALL THREADS ARE CRITICAL			
DRAWN	JIMSON	02/08/19	
CHECKED	C.G.	02/08/19	
APPROVED	C.G.	02/08/19	

BRASSTECH		2001 CARNEGIE AVE. SANTA ANA, CA 92705 (949) 417-5207	
INCORPORATED			
SPOUT & ESCUTCHEON ASM - WALL MOUNT TUB			
DWG NO.		REV	
3-419		F	
SCALE	REF.	SHEET	OF
.425	-	1	2



BRASSTECH		2001 CARNEGIE AVE. SANTA ANA, CA 92705 (949) 417-5207	
INCORPORATED		DWG NO.	REV
3-419			F
SCALE 1.000	REF. -	SHEET 2 OF 2	