

**Features**

- Solid brass construction
- 8.22" (20.9 cm) spout reach (wall-to-center)
- 1/2" NPT spout inlet fitting
- Rough valve incorporates a brass valve body assembly
- Rough valve incorporates quarter-turn washerless ceramic disc valve cartridges
- Intended for use with Newport Brass rough valve as specified (Required Accessory)
- ADA Compliant
- 1.2 GPM (4.5 LPM) Max

**Codes / Standards Compliance**

Meets or exceeds the following at date of manufacture:

- ASME A112.18.1/CSA B125.1-18
- IAMPO/cUPC
- NSF/ANSI 61, SECTION 9
- NSF/ANSI 372
- IPC
- ADA & ICC/ANSI A117.1
- Energy Policy Act of 1992
- EPA WaterSense
- California Energy Commission
- All applicable US Federal and State material regulations

**Colors / Finishes**

- 10B: Oil Rubbed Bronze
- 15: Polished Nickel
- 15S: Satin Nickel - PVD
- 26: Polished Chrome
- Other: Refer to the Newport Brass catalog for additional color/finish options.

**Wall-Mounted Lavatory Trim**

**3-2461**



**Specified Model**

| Model  | Description           | Colors   Finishes                                                                                                                                |
|--------|-----------------------|--------------------------------------------------------------------------------------------------------------------------------------------------|
| 3-2461 | Wall-Mounted Tub Trim | <input type="checkbox"/> 10B <input type="checkbox"/> 15 <input type="checkbox"/> 15S <input type="checkbox"/> 26 <input type="checkbox"/> Other |

**Required Accessory**

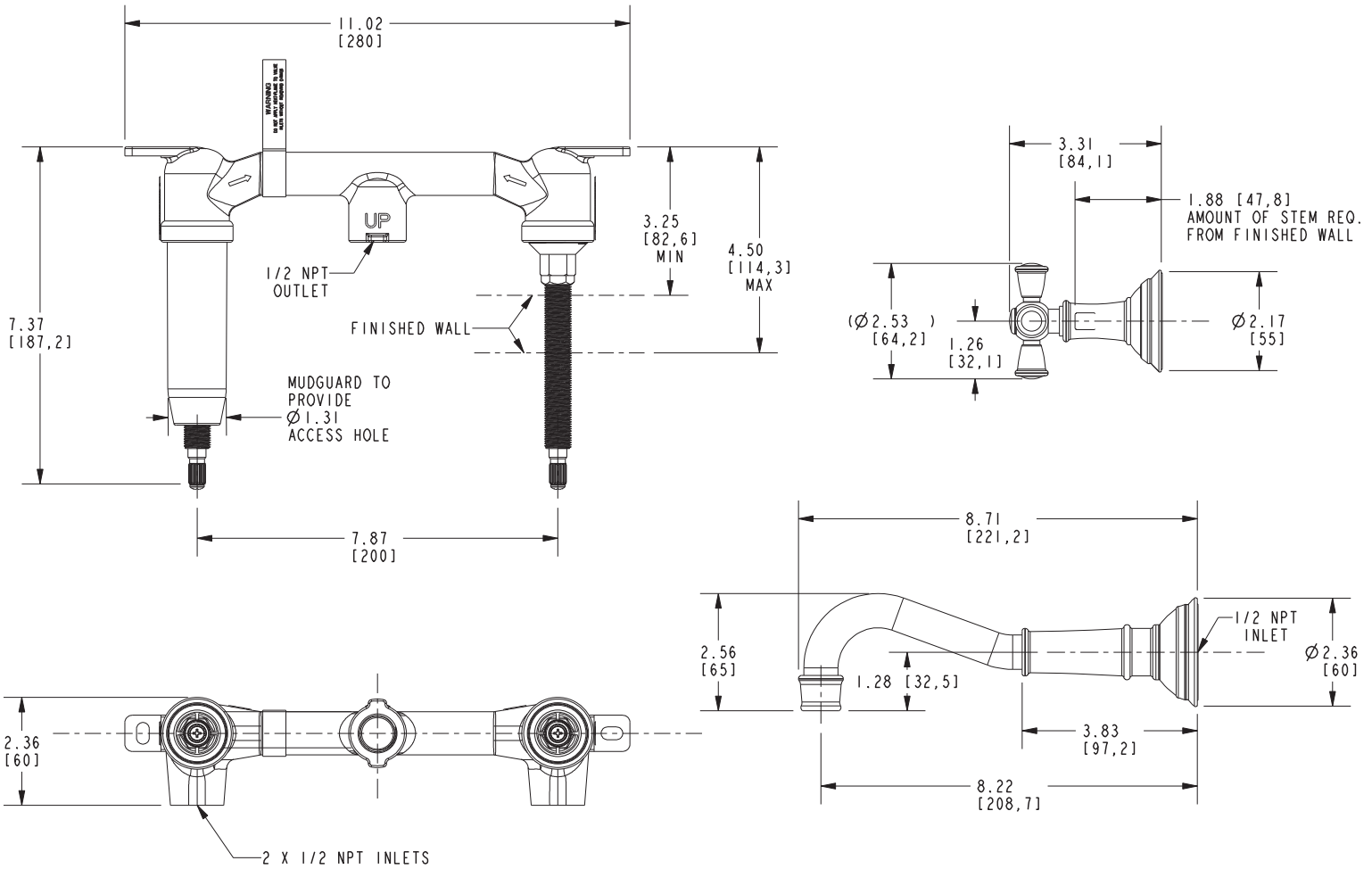
|                   |                           |
|-------------------|---------------------------|
| Application       | Wall Lavatory Rough Valve |
| Description       | 2-Cartridge Assembly      |
| Inlet/Outlet Size | 1/2"                      |
| Part Number       | 1-532U                    |
| Image             |                           |

**Product Specification** Add "Color / Finish" suffix to Model number, below.

The Wall-Mounted Lavatory Faucet shall be made of solid brass construction. Wall-Mounted Lavatory Faucet shall incorporate cross handles and a 8.22" (20.9 cm) spout (wall-to-center) that incorporates a 1/2" NPT inlet fitting. Rough valve shall incorporate a brass valve body assembly and quarter-turn washerless ceramic disc valve cartridges. Wall-Mounted Lavatory Faucet shall be Newport Brass Model 3-2461/\_\_\_\_\_ and Newport Brass rough valve shall be 1-532U.

# 3-2461

Product dimensions are provided for reference only. For specific product installation guidelines, please reference the installation instructions of the product being installed.



## Jacobean Wall-Mounted Lavatory Trim 3-2461

**NEWPORT BRASS**  
Flawless Beauty. From Faucet to Finish.™