

4

3

2

NOTES:

(N1) 1. FIT / FORM / FUNCTION SHALL FOLLOW PS-E.008.

BILL OF MATERIAL (CURRENT LEVEL)

ITEM	PT/ASSY	DESCRIPTION	TYPE	QTY.
1	12455	24" FLOOR RISER	PART	2
2	2-221	FLANGE ASM	ASSEMBLY	2

D

D

C

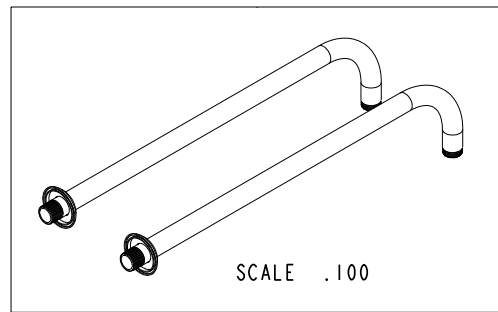
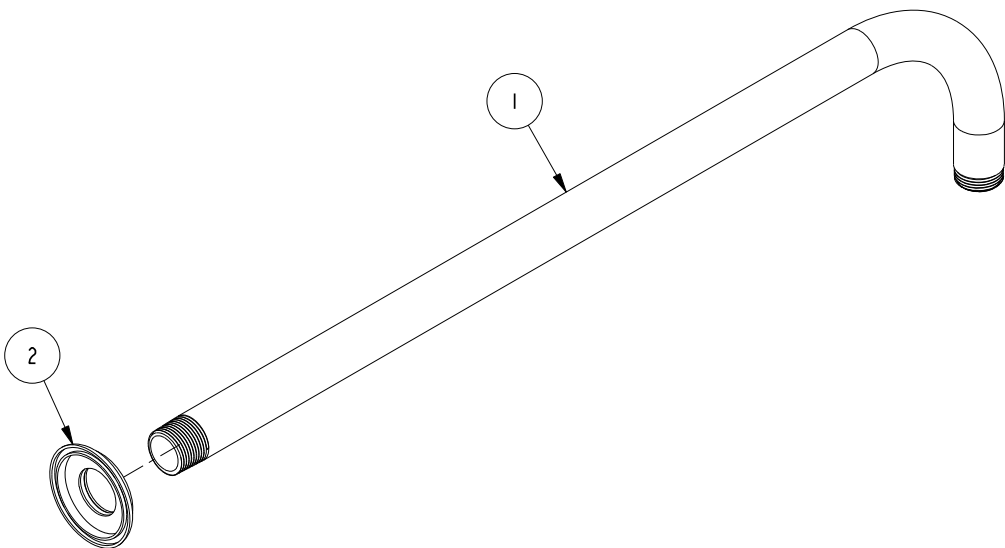
C

B

B

A

A



TESTING	-	-	-	UNITS ARE: INCHES [MM]	
ASSEMBLY	-	-	-	TOLERANCES ARE:	
PLATING	-	-	-	FRACTIONS DECIMALS ANGLES	
POLISHING	-	NEXT ASSY	USED ON	$\pm 1/16"$.X $\pm .1$ [2.5] $\pm 1^\circ$	
MACHINING	-	APPLICATION		.XX $\pm .06$ [1.5]	
TOOLING FIXTURE #		REMOVE ALL BURRS AND SHARP EDGES		(X.XXX) DENOTES CRITICAL DIMS.	
				ALL THREADS ARE CRITICAL	

BRASSTECH 2001 CARNEGIE AVE.
INCORPORATED SANTA ANA, CA 92705
(949) 417-5207

KIT FOR FLOOR MOUNTING

DWG NO. **3-226** REV **A**

SCALE .250 REF. - SHEET 1 OF 2

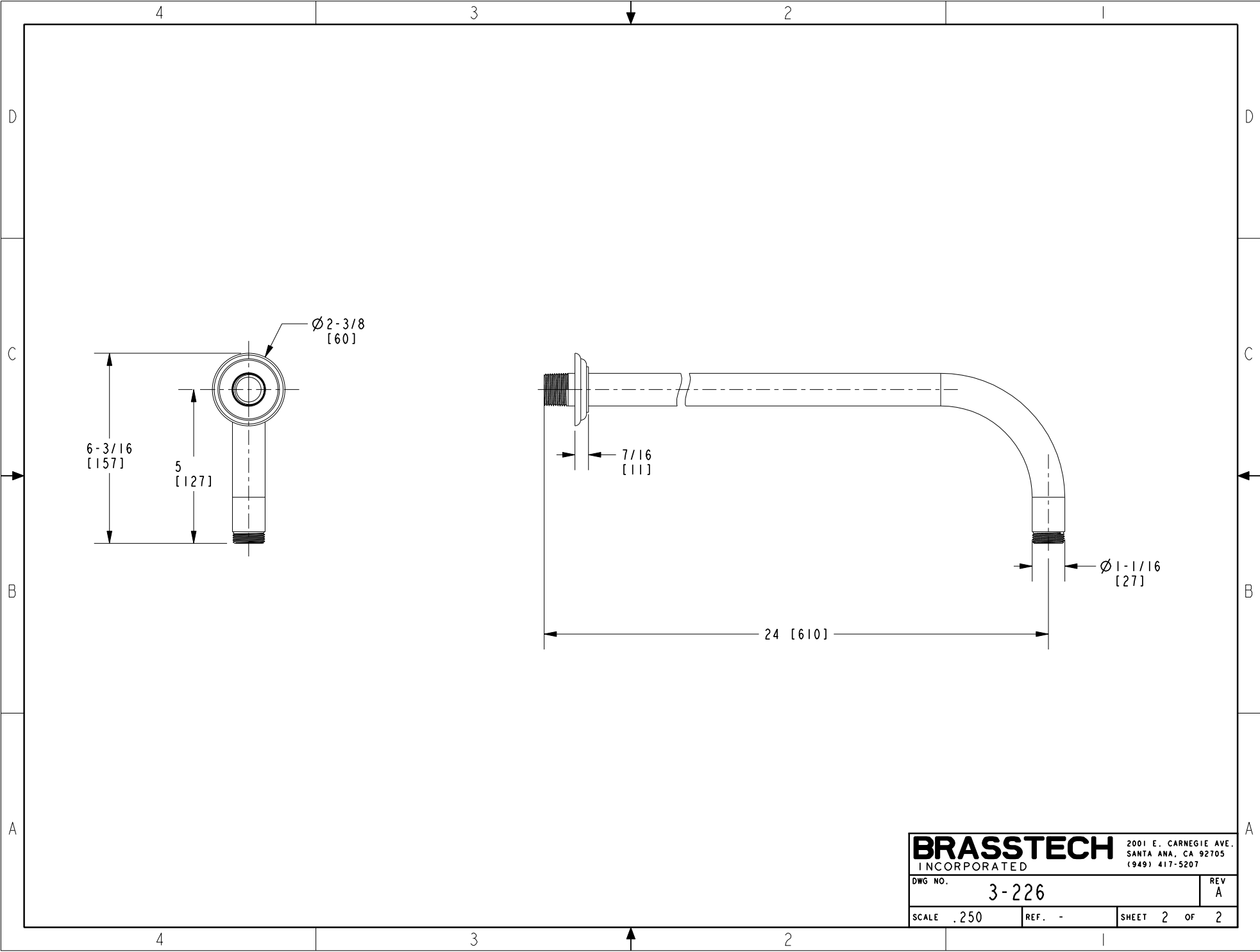
-	A	EN-2947 L	01/04/17	J.M.
-	-	RELEASED	-	-
ZONE	REV	DESCRIPTION	DATE	APPROVED

COPYRIGHT 2005 BRASSTECH, INC.
THESE DRAWINGS AND THE DESIGNS
DEPICTED HEREIN ARE THE PROPRIETARY
PROPERTY OF BRASSTECH. ANY USE
OR REPRODUCTION IS SUBJECT TO
THE EXPRESS APPROVAL OF BRASSTECH.
UNAUTHORIZED USE IS STRICTLY
PROHIBITED. ALL RIGHTS RESERVED.

4

3

2



$\phi 2\text{-}3/8$
 [60]

$6\text{-}3/16$
 [157]

5
 [127]

$7/16$
 [11]

24 [610]

$\phi 1\text{-}1/16$
 [27]

BRASSTECH		2001 E. CARNEGIE AVE.	
INCORPORATED		SANTA ANA, CA 92705	
		(949) 417-5207	
DWG NO.	3-226	REV	A
SCALE	.250	REF.	-
		SHEET	2 OF 2