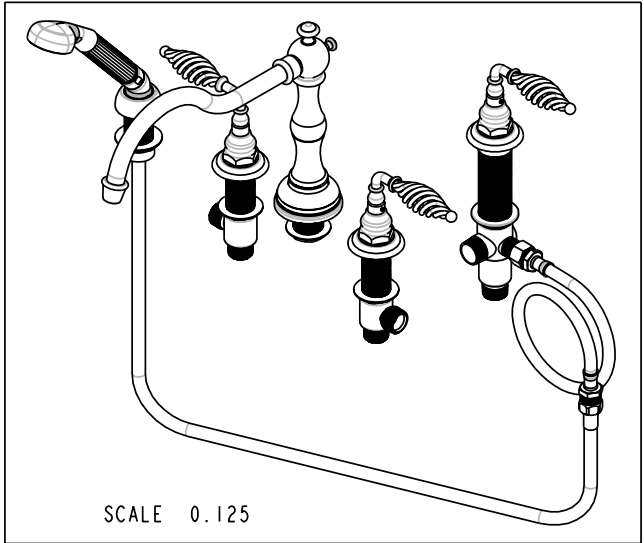


**BILL OF MATERIAL (CURRENT LEVEL)**

ITEM	PT/ASSY	DESCRIPTION	TYPE	QTY.
1	1-503	ROMAN TUB 3-VALVE ROUGH	ASSEMBLY	1
2	3-2107	TRIM ONLY, 3-2107	ASSEMBLY	1



COPYRIGHT 2005 BRASSTECH, INC. THESE DRAWINGS AND THE DESIGNS DEPICTED HEREIN ARE THE PROPRIETARY PROPERTY OF BRASSTECH. ANY USE OR REPRODUCTION IS SUBJECT TO THE EXPRESS APPROVAL OF BRASSTECH. UNAUTHORIZED USE IS STRICTLY PROHIBITED. ALL RIGHTS RESERVED.

**BRASSTECH**  
INCORPORATED

2001 E. CARNEGIE AVE.  
SANTA ANA, CA 92705  
(949) 417-5207

ROMAN TUB DECK WITH DIVERTER

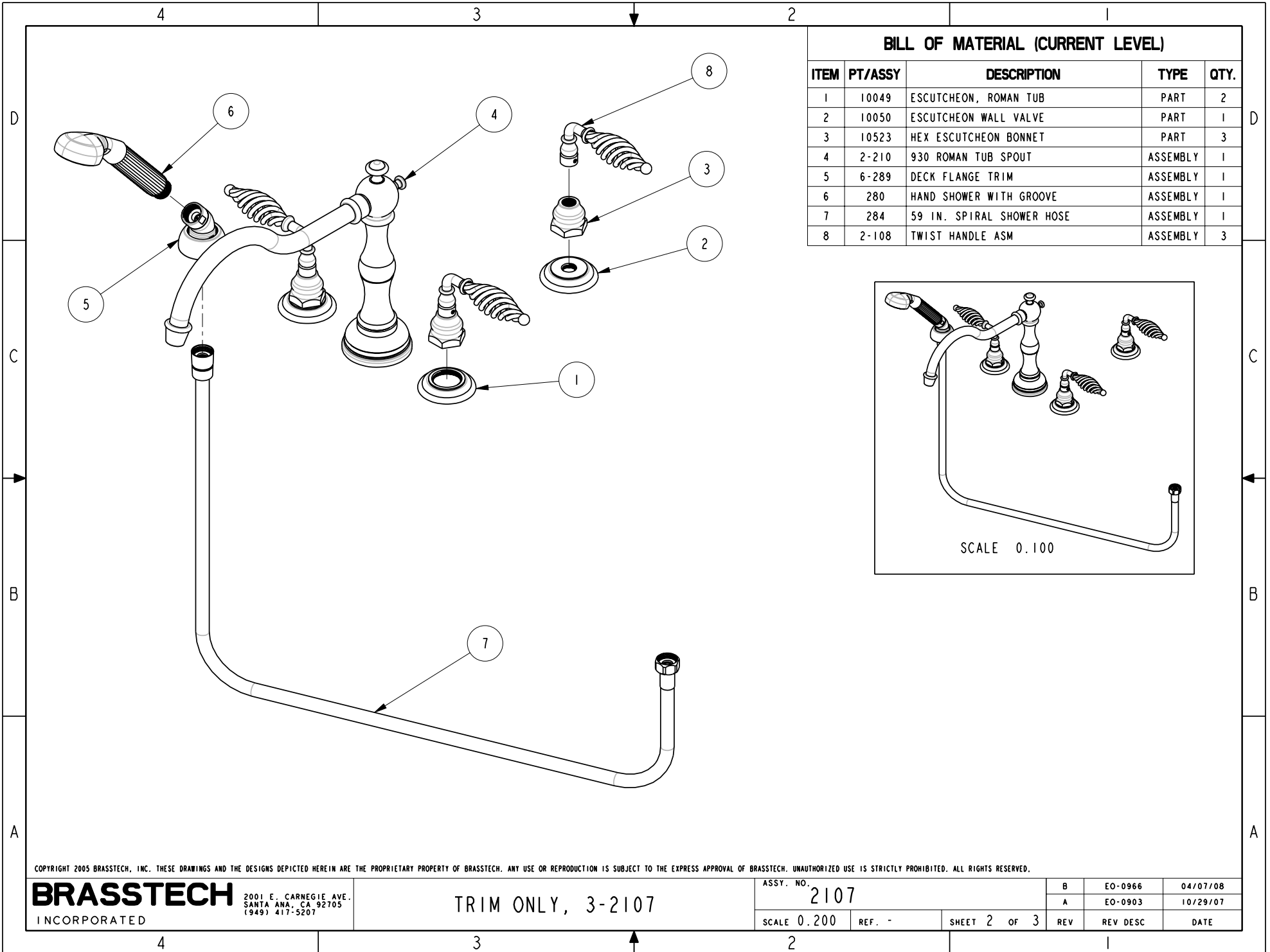
ASSY. NO. 2107

SCALE 0.200

REF. -

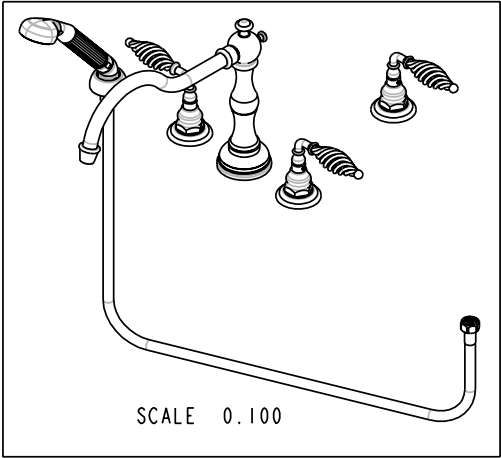
SHEET 1 OF 3

B	EO-0966	04/07/08
A	EO-0903	10/29/07
REV	REV DESC	DATE



**BILL OF MATERIAL (CURRENT LEVEL)**

ITEM	PT/ASSY	DESCRIPTION	TYPE	QTY.
1	10049	ESCUTCHEON, ROMAN TUB	PART	2
2	10050	ESCUTCHEON WALL VALVE	PART	1
3	10523	HEX ESCUTCHEON BONNET	PART	3
4	2-210	930 ROMAN TUB SPOUT	ASSEMBLY	1
5	6-289	DECK FLANGE TRIM	ASSEMBLY	1
6	280	HAND SHOWER WITH GROOVE	ASSEMBLY	1
7	284	59 IN. SPIRAL SHOWER HOSE	ASSEMBLY	1
8	2-108	TWIST HANDLE ASM	ASSEMBLY	3



COPYRIGHT 2005 BRASSTECH, INC. THESE DRAWINGS AND THE DESIGNS DEPICTED HEREIN ARE THE PROPRIETARY PROPERTY OF BRASSTECH. ANY USE OR REPRODUCTION IS SUBJECT TO THE EXPRESS APPROVAL OF BRASSTECH. UNAUTHORIZED USE IS STRICTLY PROHIBITED. ALL RIGHTS RESERVED.

**BRASSTECH**  
INCORPORATED

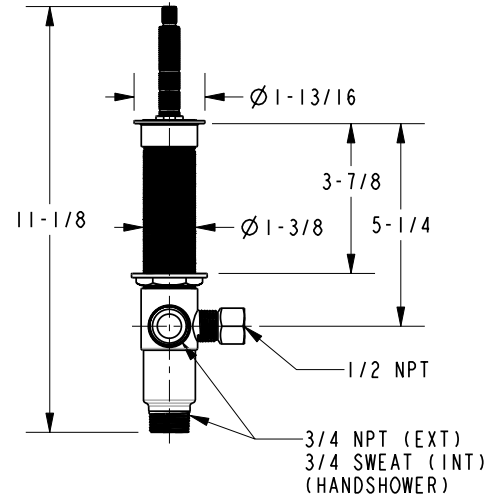
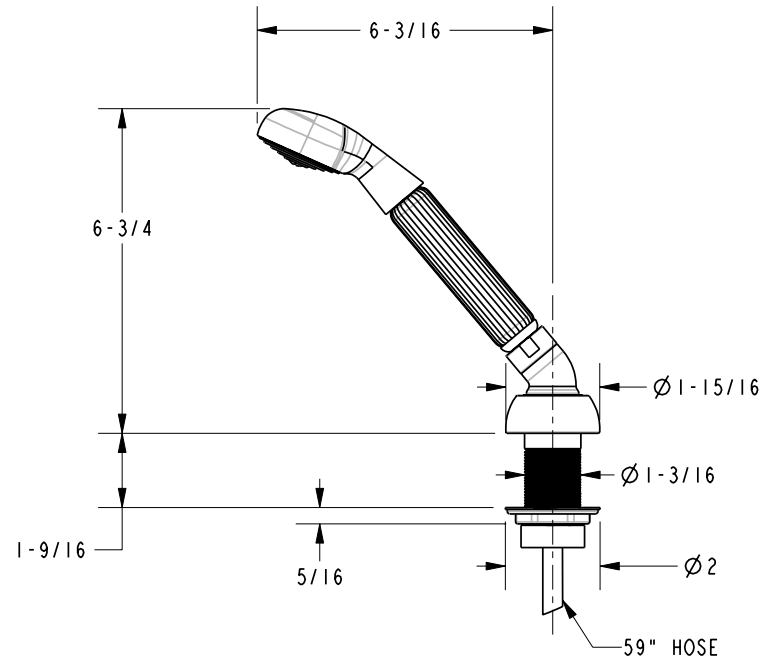
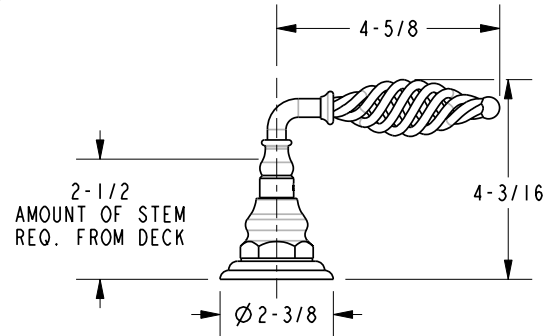
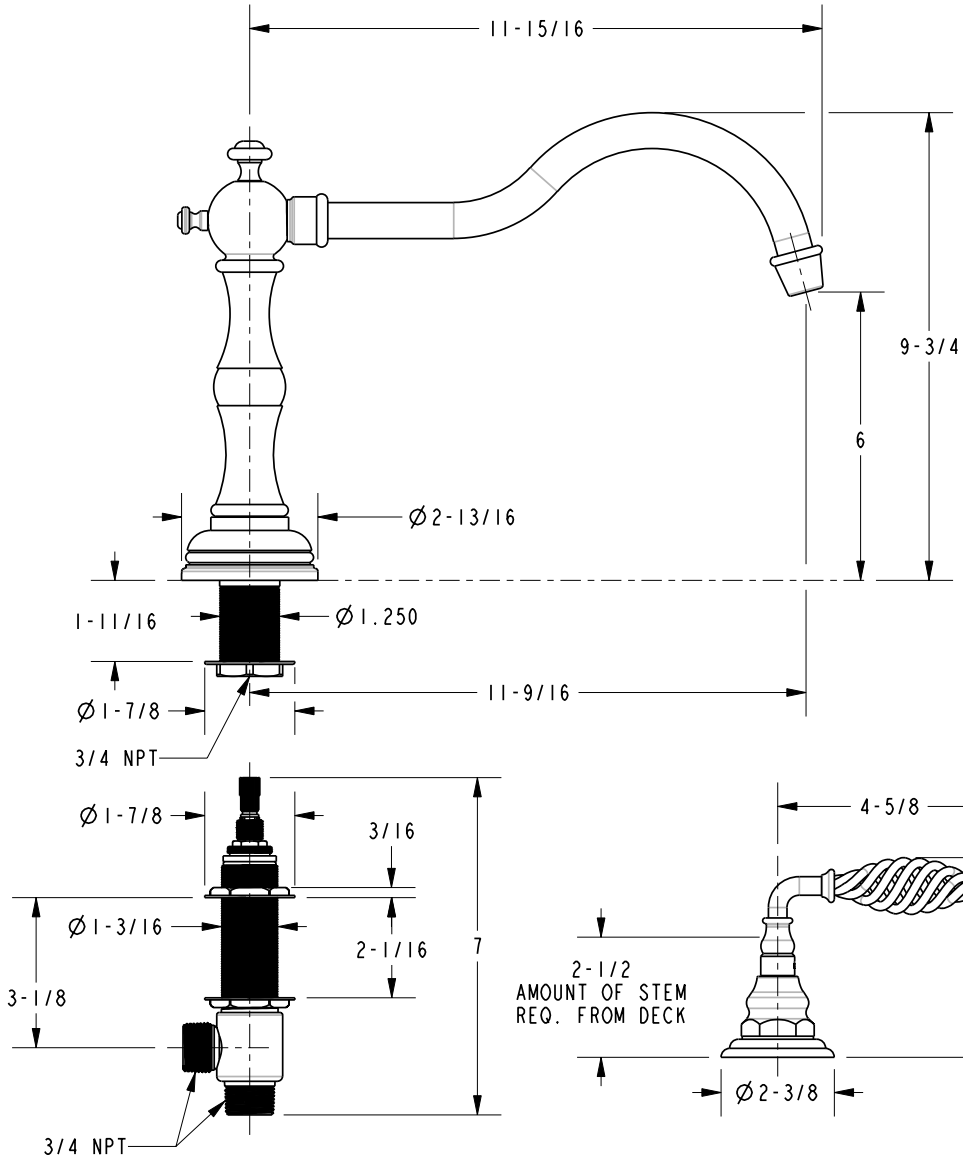
2001 E. CARNEGIE AVE.  
SANTA ANA, CA 92705  
(949) 417-5207

TRIM ONLY, 3-2107

ASSY. NO.	2107		
SCALE 0.200	REF. -	SHEET 2 OF 3	REV
			REV DESC
			DATE

B	EO-0966	04/07/08
A	EO-0903	10/29/07

**SPECIFICATION DWG**



DIMENSIONS ARE IN INCHES AND AN APPROXIMATION OF A TYPICAL INSTALLATION

COPYRIGHT 2005 BRASSTECH, INC. THESE DRAWINGS AND THE DESIGNS DEPICTED HEREIN ARE THE PROPRIETARY PROPERTY OF BRASSTECH. ANY USE OR REPRODUCTION IS SUBJECT TO THE EXPRESS APPROVAL OF BRASSTECH. UNAUTHORIZED USE IS STRICTLY PROHIBITED. ALL RIGHTS RESERVED.

<b>BRASSTECH</b>		2001 E. CARNEGIE AVE.
INCORPORATED		SANTA ANA, CA 92705
		(949) 417-5207
DWG NO.	2107	REV B
SCALE 0.250	REF. -	SHEET 3 OF 3