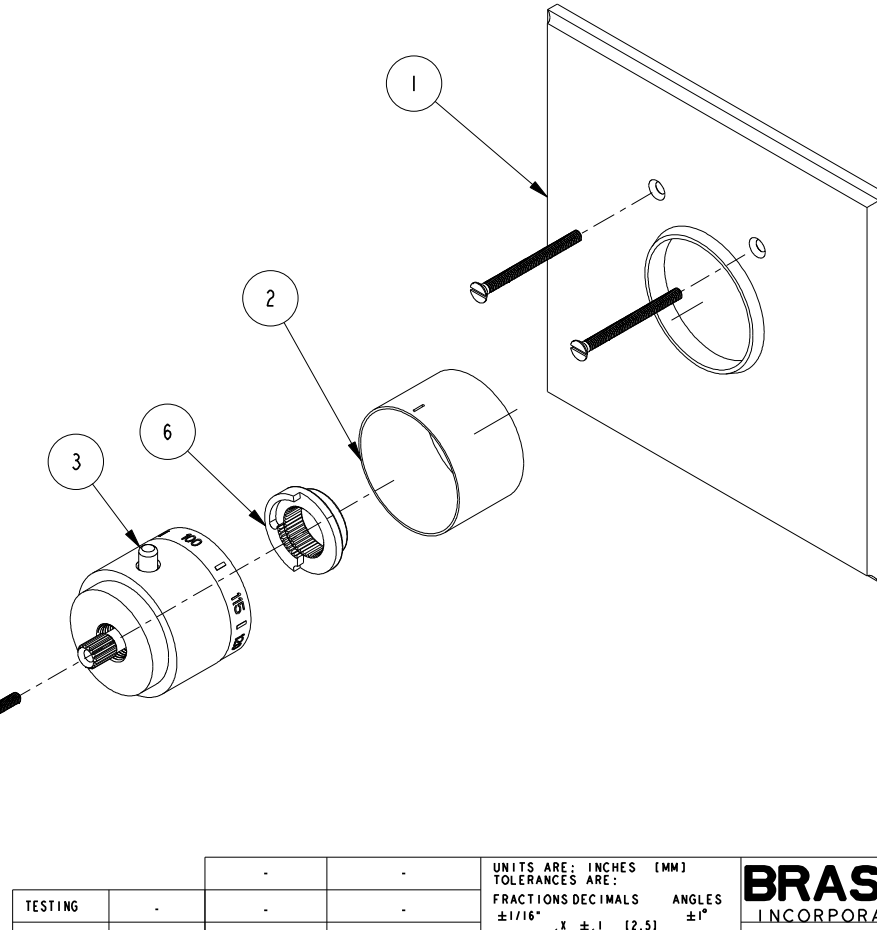
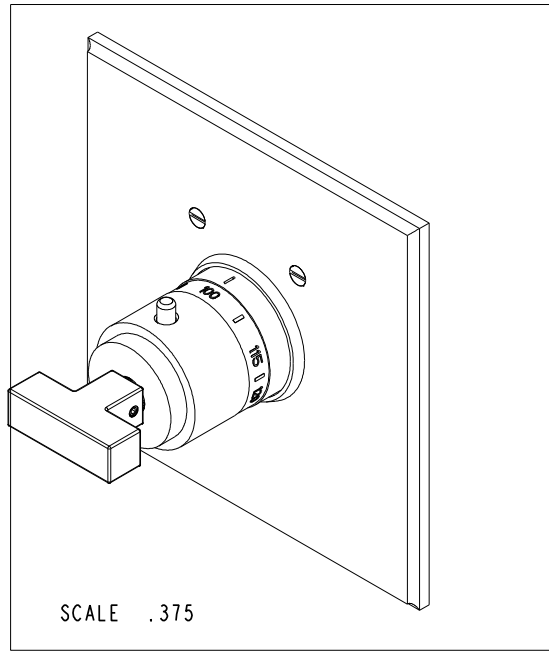


NOTES:

1. TO INSPECT ASSEMBLY, FOLLOW FIRST ARTICLE AND IN PROCESS INSPECTION SHEET.

**BILL OF MATERIAL (CURRENT LEVEL)**

ITEM	PT/ASSY	DESCRIPTION	TYPE	QTY.
1	2-338	THERMO SQUARE PLATE ASSEMBLY	ASSEMBLY	1
2	11029	SLEEVE - THERMO	PART	1
3	2-339	THERMO BONNET ASM - CONT	ASSEMBLY	1
4	2-271	THERMO HANDLE ASM-2020	ASSEMBLY	1
5	92113	SCRW, M4 X .7 X 40 PHL FLT HD SS	PART	1
6	91308	TEMP LIMIT STOP - THERMO	PART	1



TESTING	-	-	-
ASSEMBLY	-	-	-
PLATING	-	-	-
POLISHING	-	NEXT ASSY	USED ON
MACHINING	-	APPLICATION	
TOOLING FIXTURE #	REMOVE ALL BURRS AND SHARP EDGES		

UNITS ARE: INCHES [MM]  
 TOLERANCES ARE:  
 FRACTIONS DECIMALS ANGLES  
 ±1/16" .X ±.1 [2.5] ±1°  
 .XX ±.06 [1.5]

(X.XXX) DENOTES CRITICAL DIMS.  
 ALL THREADS ARE CRITICAL

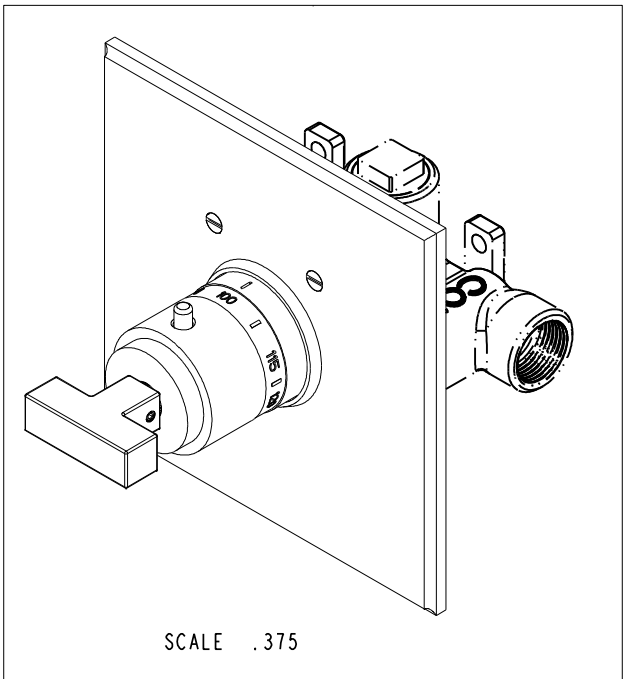
DRAWN	-	03/01/01
CHECKED	-	03/01/01
APPROVED	-	03/01/01

**BRASSTECH** 2001 CARNEGIE AVE.  
 INCORPORATED SANTA ANA, CA 92705  
 (949) 417-5207

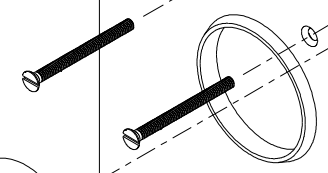
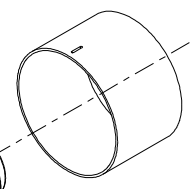
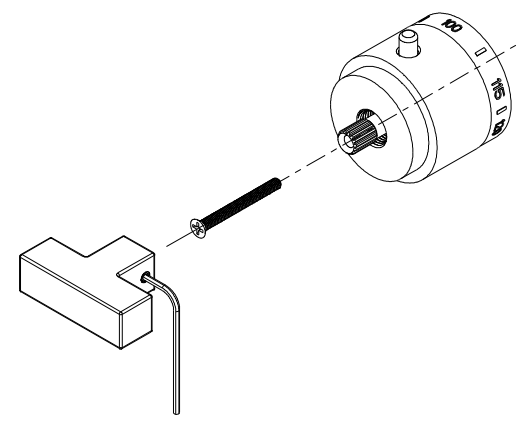
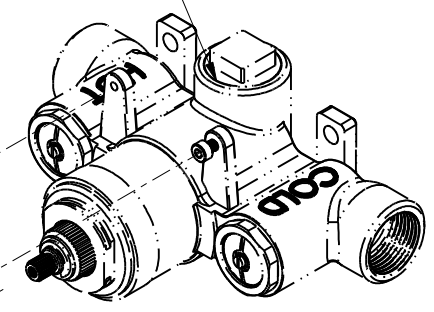
**SQUARE TRIM THERMO**

DWG NO.	3-2024TS		REV	B
SCALE	.375	REF.	-	SHEET 1 OF 3

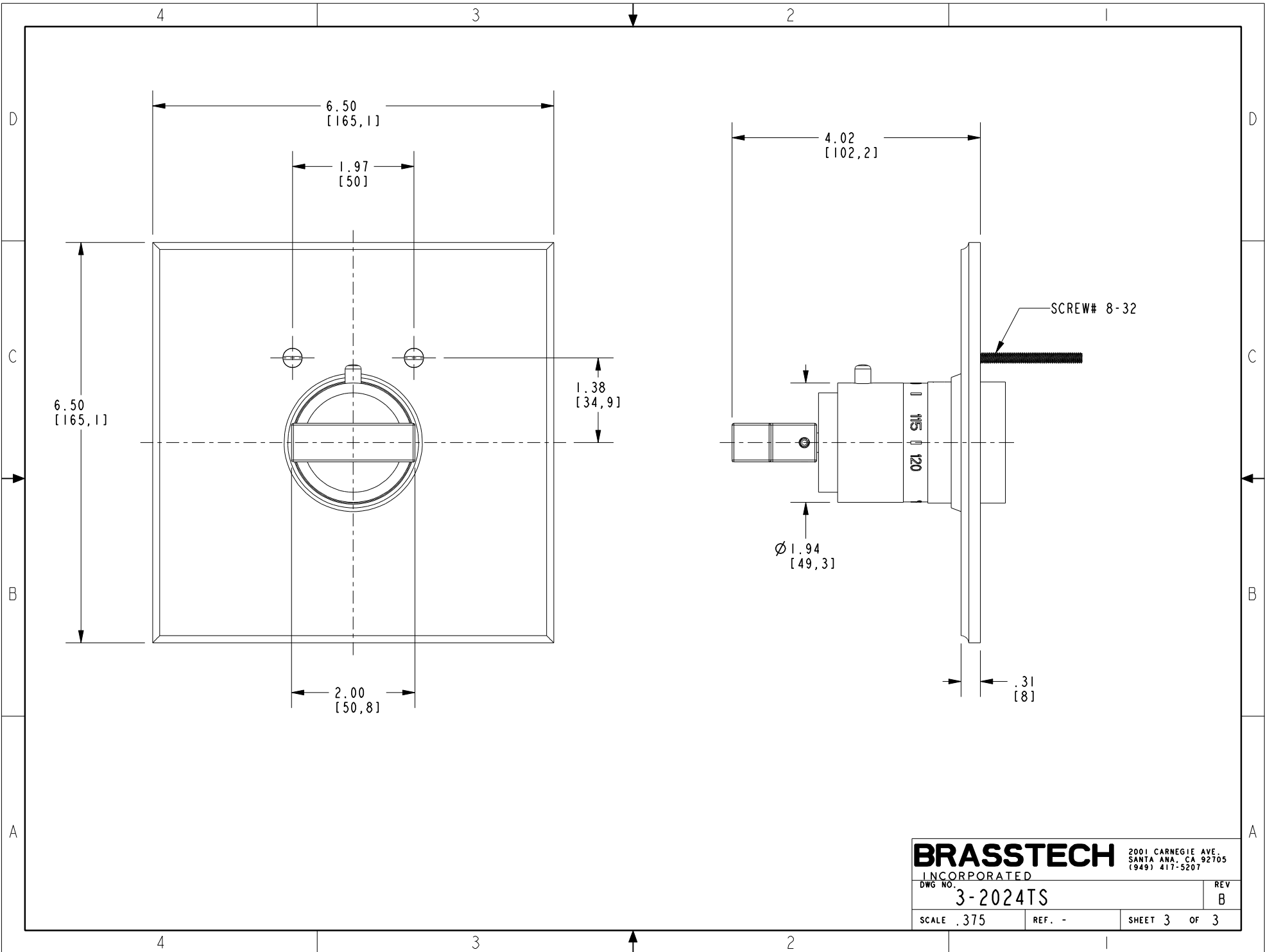
-	B	EN-3961-2	06/24/20	J.M.	COPYRIGHT 2005 BRASSTECH, INC. THESE DRAWINGS AND THE DESIGNS DEPICTED HEREIN ARE THE PROPRIETARY PROPERTY OF BRASSTECH. ANY USE OR REPRODUCTION IS SUBJECT TO THE EXPRESS APPROVAL OF BRASSTECH. UNAUTHORIZED USE IS STRICTLY PROHIBITED. ALL RIGHTS RESERVED.
-	A	EO-0078	09/16/02	-	
-	-	RELEASED	03/01/01	-	
ZONE	REV	DESCRIPTION	DATE	APPROVED	



PN: 1-540  
SOLD SEPARATELY



<b>BRASSTECH</b>		2001 CARNEGIE AVE. SANTA ANA, CA 92705 (949) 417-5207	
INCORPORATED			
DWG NO.	3-2024TS	REV	B
SCALE .375	REF. -	SHEET 2	OF 3



**BRASSTECH** 2001 CARNEGIE AVE.  
 INCORPORATED SANTA ANA, CA 92705  
 (949) 417-5207

DWG NO.	3-2024TS	REV	B
SCALE	.375	REF.	-
		SHEET	3 OF 3