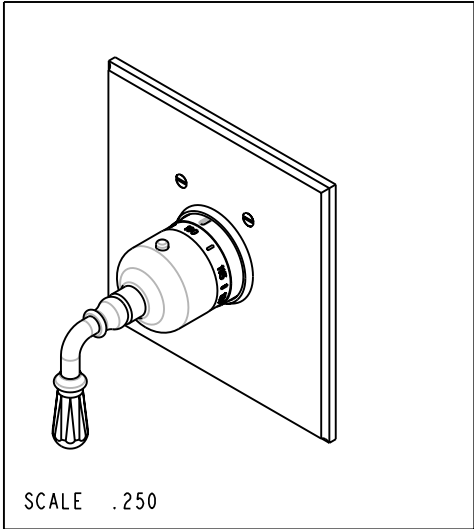
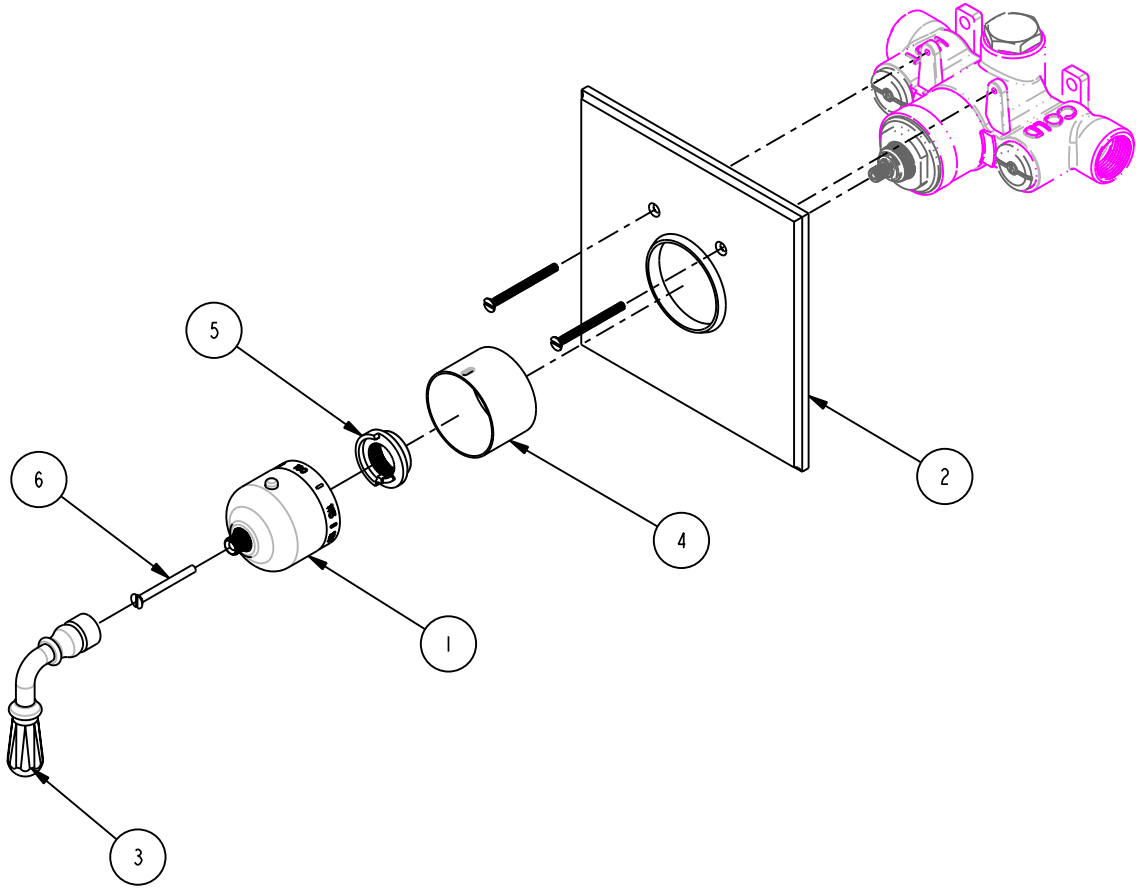


BILL OF MATERIAL (CURRENT LEVEL)

ITEM	PT/ASSY	DESCRIPTION	TYPE	QTY.
1	2-336	THERMO BONNET ASM-TRAD.	ASSEMBLY	1
2	2-338	THERMO SQUARE PLATE ASSEMBLY	ASSEMBLY	1
3	2-471	THERMO LEVER HANDLE ASM	ASSEMBLY	1
4	11029	SLEEVE - THERMO	PART	1
5	91308	TEMP LIMIT STOP - THERMO	PART	1
6	92113	SCRW M4 X .7 X 35	PART	1



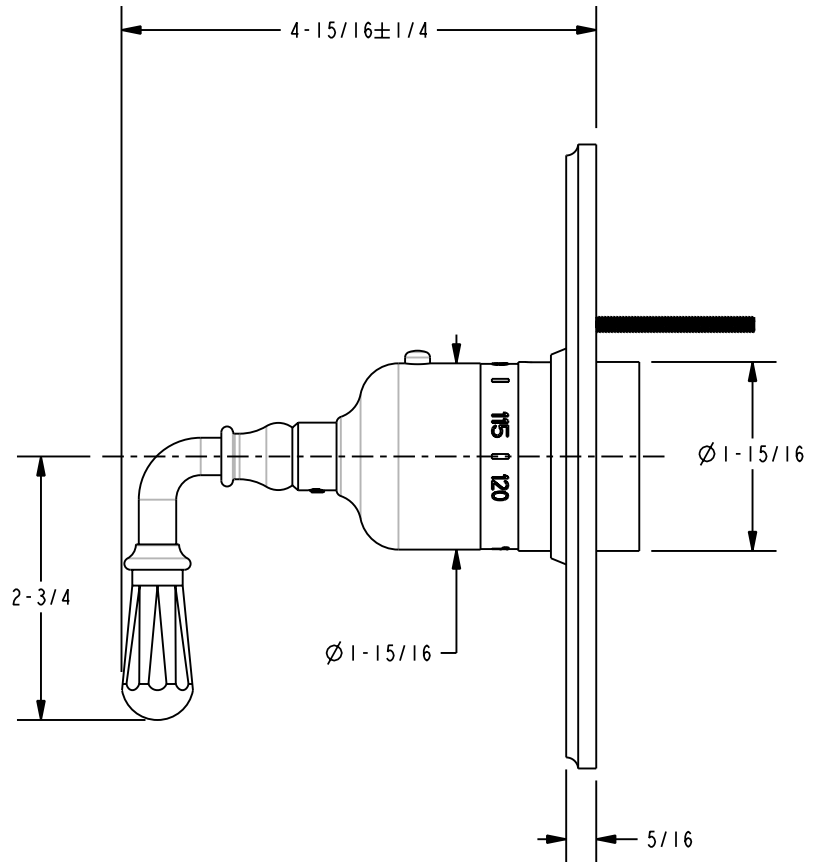
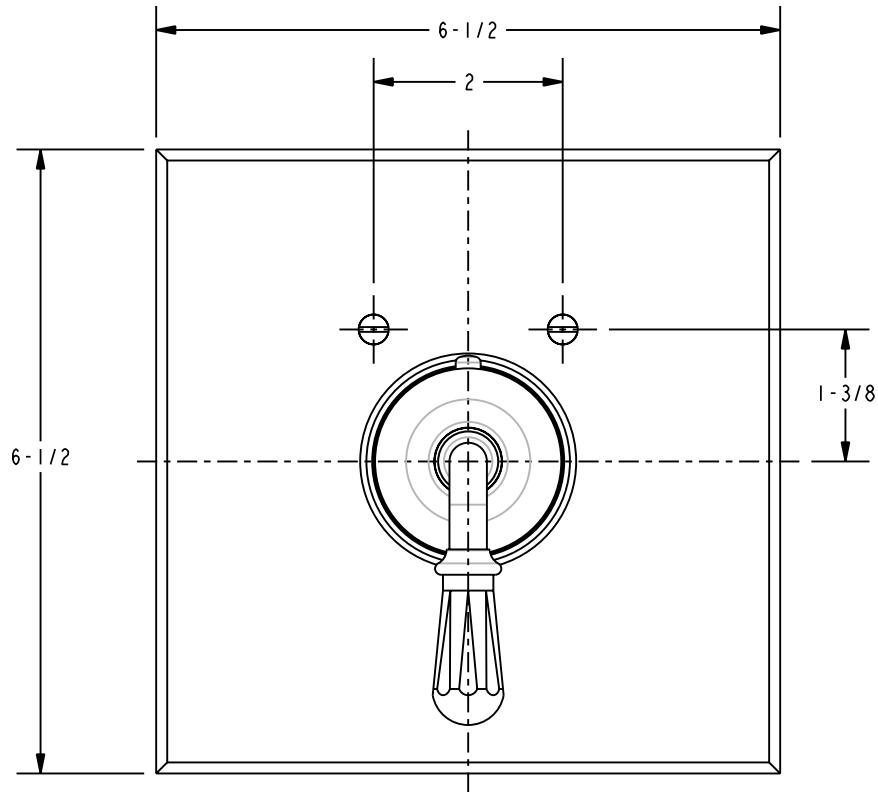
COPYRIGHT 2003 BRASSTECH, INC. THESE DRAWINGS AND THE DESIGNS DEPICTED HEREIN ARE THE PROPRIETARY PROPERTY OF BRASSTECH. ANY USE OR REPRODUCTION IS SUBJECT TO THE EXPRESS APPROVAL OF BRASSTECH. UNAUTHORIZED USE IS STRICTLY PROHIBITED. ALL RIGHTS RESERVED.

BRASSTECH
INCORPORATED
2001 E. CARNEGIE AVE.
SANTA ANA, CA 92705
(949) 417-5207

SQUARE TRIM THERMO

ASSY. NO. 3-1744TS		-	EO-0390	07/16/04
SCALE .250	REF. -	SHEET 1 OF 2	REV	REV DESC
				DATE

SPECIFICATION DWG



DIMENSIONS ARE IN INCHES AND AN APPROXIMATION OF A TYPICAL INSTALLATION

COPYRIGHT 2004 BRASSTECH, INC. THESE DRAWINGS AND THE DESIGNS DEPICTED HEREIN ARE THE PROPRIETARY PROPERTY OF BRASSTECH. ANY USE OR REPRODUCTION IS SUBJECT TO THE EXPRESS APPROVAL OF BRASSTECH. UNAUTHORIZED USE IS STRICTLY PROHIBITED. ALL RIGHTS RESERVED.

BRASSTECH		2001 E. CARNEGIE AVE.
INCORPORATED		SANTA ANA, CA 92705
		(949) 417-5207
DWG NO.	3-1744TS	REV -
SCALE .500	REF. -	SHEET 2 OF 2