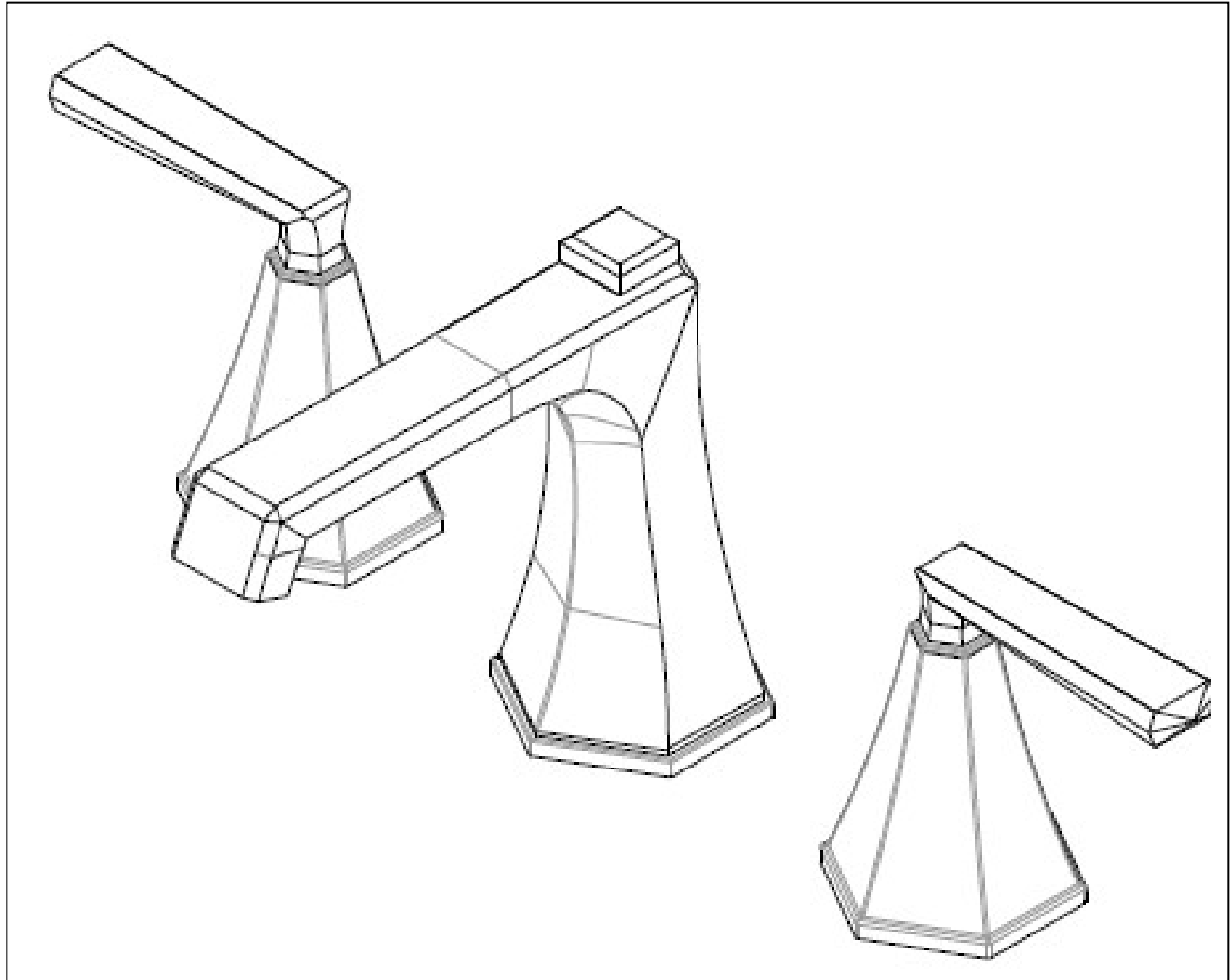


INSTALLATION INSTRUCTIONS
WIDESPREAD LAVATORY SET
Model No: FE-8800

NEWPORT BRASS
Flawless Beauty. From Faucet to Finish.™



**Congratulations on the purchase
of this Newport Brass product,
an excellent choice, that will give you
years of quality service and enhance
the look and style of your home.**

Recommended Installation by a Professional Plumbing Contractor

Note: The use of petroleum base plumbers putty on our products will nullify the warranty. We recommend the use of clear silicone sealing materials. Recommended deck thru hole Ø 1.38"

1. Place the spout's threaded ROD (1) and HOSES (2) through center hole of mounting surface. Secure spout into place with rubber GASKET (3), mounting CRESCENT (4) and NUT (5). **See Figure 1.**
2. Place plastic flange NUT (7), fiber WASHER (8), and SPACER (9) onto valve BODY (6). Insert valve BODY (6), (blue cold & red hot), through hole in the mounting surface. Thread the washer NUT (10) onto the upper position of the valve BODY (6) until it bottoms out. Valve BODY (6) should extend 1-3/4" above mounting surface. Secure into place by tightening plastic flange NUT (7) to 20 ft.-lbs. **See Figure 1.**
3. Connect HOSES (2) to side outlet of each valve BODY (6). Hand-tighten and secure each connection with a wrench 1/4 turn. **See Figure 2.**
4. Connect hot/cold water supply to appropriate 1/2" NPSM valve BODY (6), utilizing one of the three following types of risers. Supply risers not included. **See Figure 2.**
 - a. 1/2" IPS flexible supply line.
 - b. 3/8" or 1/2" OD bullnose riser. Utilize friction WASHER (12) and coupling NUT (13).
 - c. 1/2" copper riser. Utilize rubber nosecone WASHER (11), friction WASHER (12) and coupling NUT (13).
5. Turn valve STEM (14) to OFF position. As shown in **Figure 3**, place HANDLE (16) over VALVE STEM (14) and secure with SET SCREW (15).
6. Remove drain PLUG (23) from FLANGE (17). As shown in **Figure 4**, place FLANGE (17) through sink drain opening. Use plumbing putty to seal between the FLANGE (17) and top side of sink. From bottom side of sink, place cone shaped rubber WASHER (18) onto FLANGE (17) and slide up against sink bottom. Note: Cone portion of washer to face upward. Next slide on flat WASHER (19) and loosely secure with flange NUT (20). Place white WASHER (21) into drain BODY (22) and tighten to FLANGE (17). Position the side opening of drain BODY (22) towards the back side of the sink, tighten the flange NUT (20).
7. Place drain PLUG (23) in the orientation as shown in **Figure 5**, into FLANGE (17). Secure ROD (24) to STRAP (25), approximately 1" from end of ROD (24), with SCREW (26). Insert ball ROD (27) into the side opening of drain BODY (22), secure with ball rod NUT (28). Adjust the rise of the plunger and CLIP (29) into place. Adjust ball ROD (27) and pop-up ROD (24) so drain will open and close properly.
8. Turn on water supply, and flush both valves until water is clear. Check for leaks and make any final adjustments required.

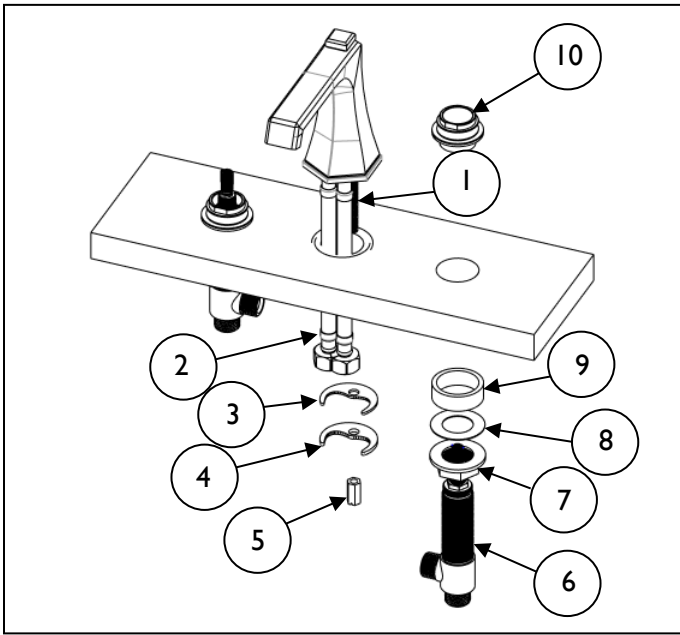


Figure 1

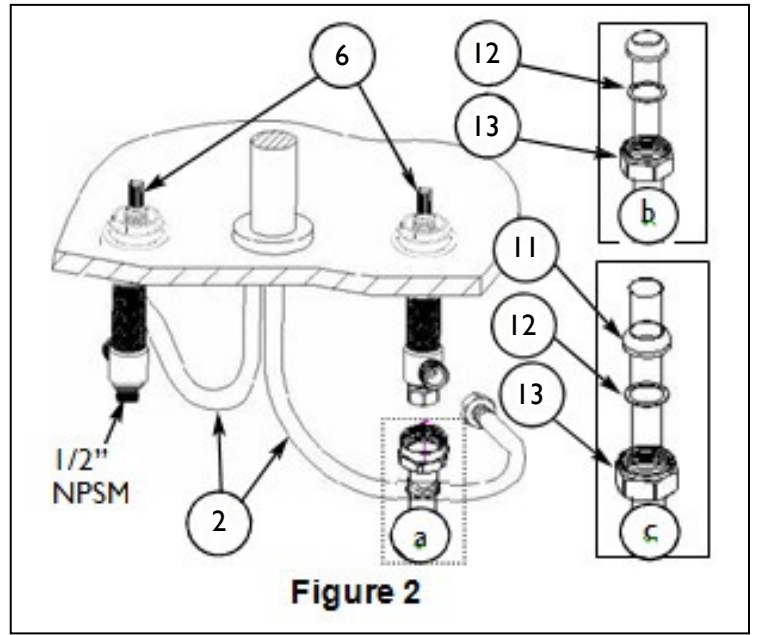


Figure 2

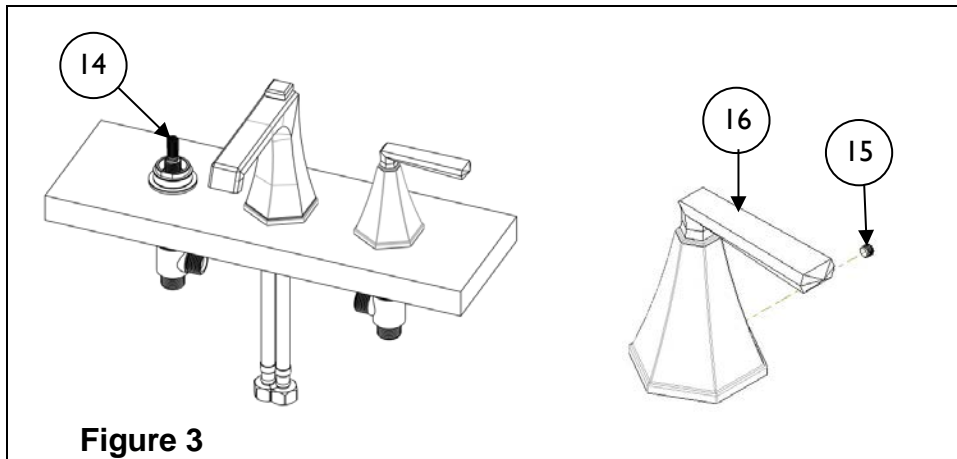


Figure 3

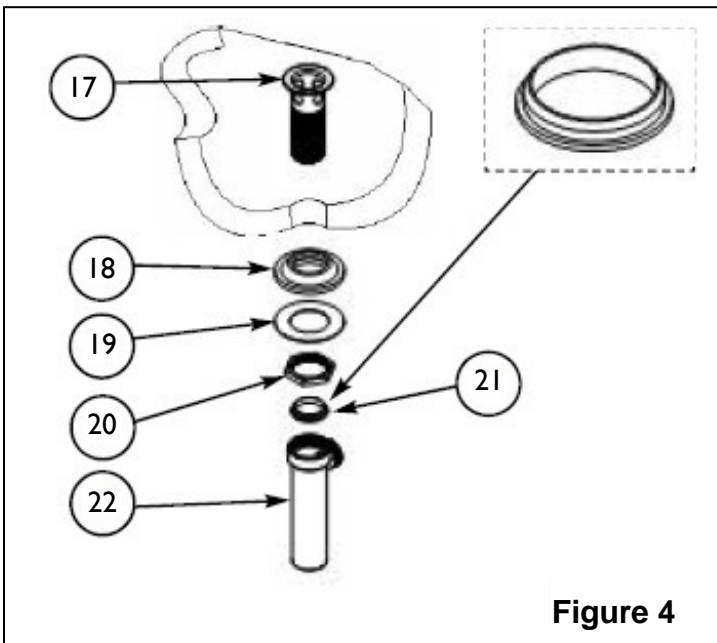


Figure 4

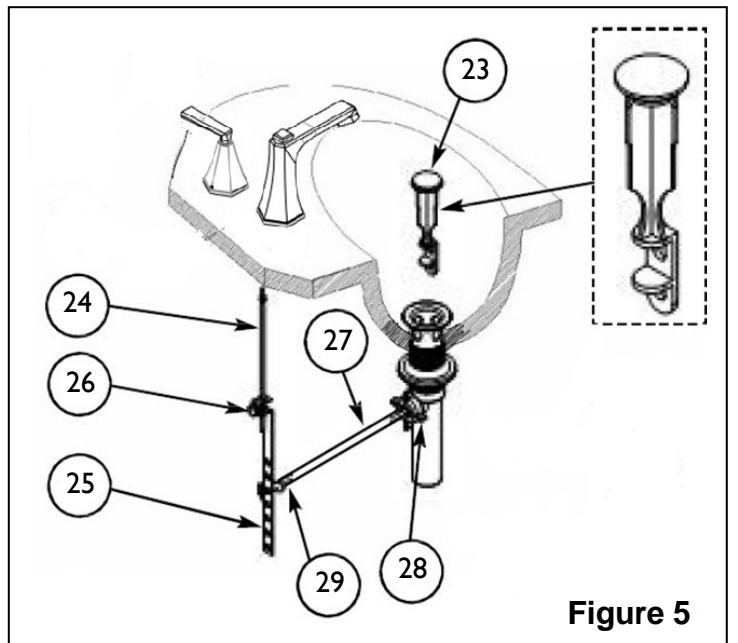


Figure 5