

4

3

2

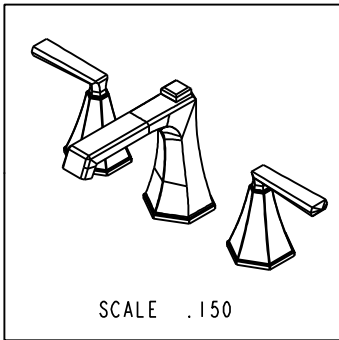
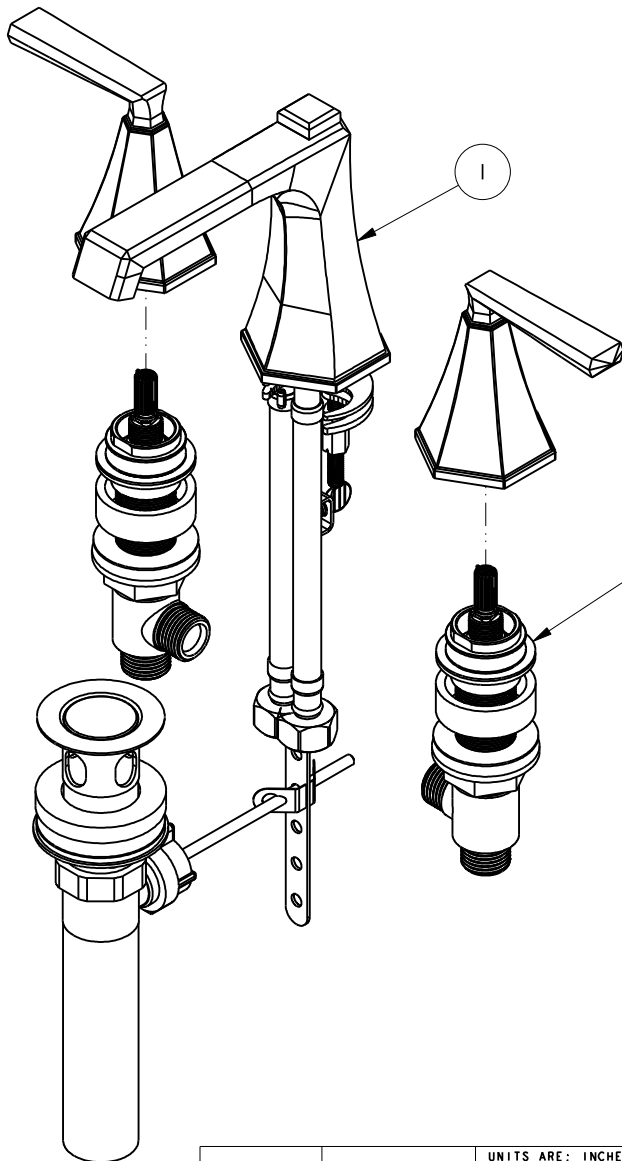
1

NOTES:

(NI) 1. FIT / FORM / FUNCTION SHALL FOLLOW PS-E.008.

BILL OF MATERIAL (CURRENT LEVEL)

ITEM	PT/ASSY	DESCRIPTION	TYPE	QTY.
1	3-599	W/S LAVATORY FAUCET	ASSEMBLY	1
2	1-691	W/S VALVE ASM	ASSEMBLY	1



UNITS ARE: INCHES [MM]
 TOLERANCES ARE:
 FRACTIONS DECIMALS ANGLES
 $\pm 1/16''$.X $\pm .1$ [2,5] $\pm 1^\circ$
 .XX $\pm .06$ [1,5]

(X.XXX) DENOTES CRITICAL DIMS.
 ALL THREADS ARE CRITICAL

BRASSTECH 2001 CARNEGIE AVE.
 INCORPORATED SANTA ANA, CA 92705
 (949) 417-5207

WIDESPREAD LAVATORY FAUCET

DWG NO. FE-8800 REV -

SCALE .313 REF. - SHEET 1 OF 2

TESTING	-	-	-	-
ASSEMBLY	-	-	-	-
PLATING	-	-	-	-
POLISHING	-	NEXT ASSY	USED ON	
MACHINING	-	APPLICATION		
TOOLING FIXTURE #		REMOVE ALL BURRS AND SHARP EDGES		

COPYRIGHT 2005 BRASSTECH, INC.
 THESE DRAWINGS AND THE DESIGNS
 DEPICTED HEREIN ARE THE PROPRIETARY
 PROPERTY OF BRASSTECH. ANY USE
 OR REPRODUCTION IS SUBJECT TO
 THE EXPRESS APPROVAL OF BRASSTECH.
 UNAUTHORIZED USE IS STRICTLY
 PROHIBITED. ALL RIGHTS RESERVED.

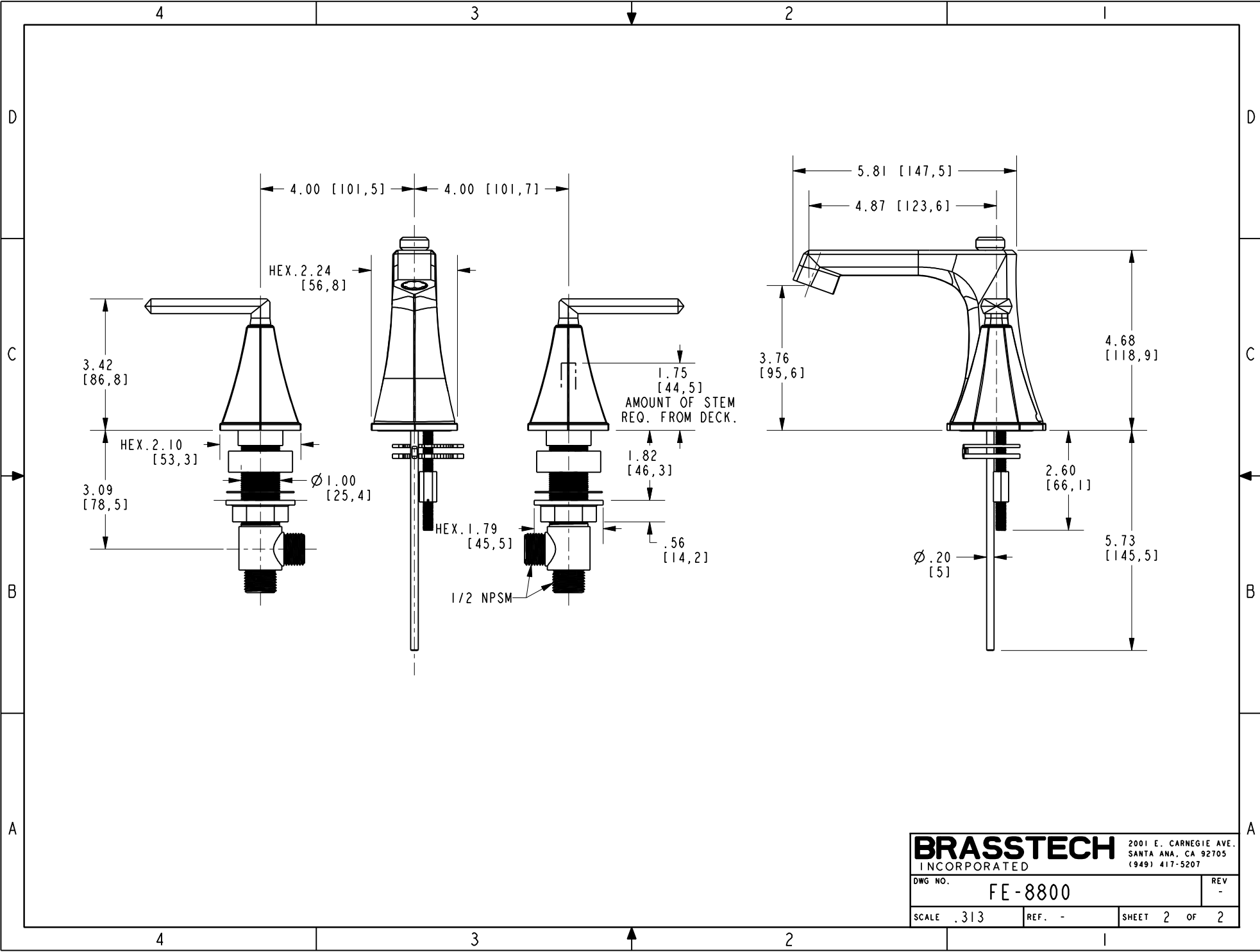
ZONE	REV	DESCRIPTION	DATE	APPROVED
-	-	EN-3304	05/02/17	J.A

4

3

2

1



BRASSTECH		2001 E. CARNEGIE AVE.
INCORPORATED		SANTA ANA, CA 92705
		(949) 417-5207
DWG NO.	FE-8800	REV -
SCALE .313	REF. -	SHEET 2 OF 2