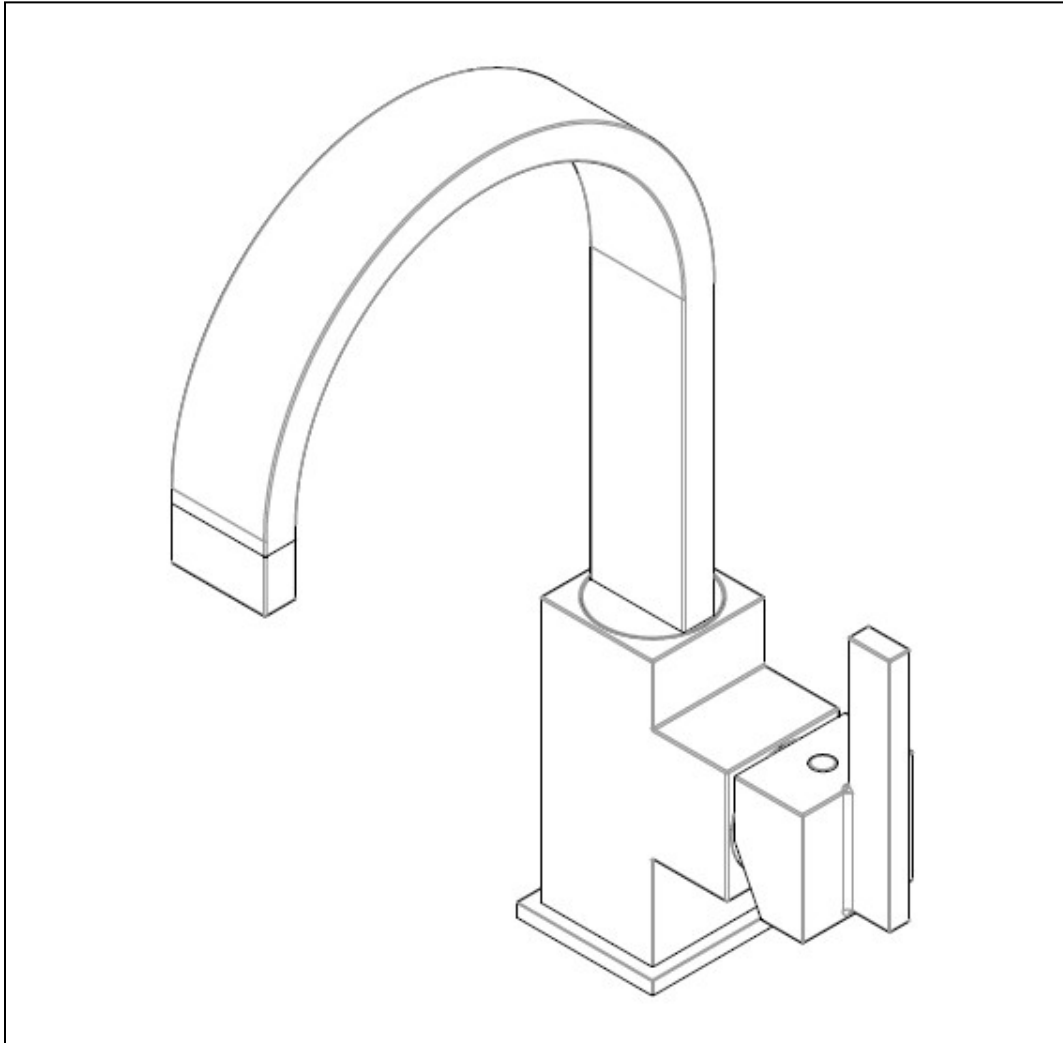


INSTALLATION INSTRUCTIONS
SINGLE HOLE LAVATORY FAUCET
MODEL No: FE-8703

NEWPORT
365



Congratulations on the purchase of your Newport product, an excellent choice, that will give you years of quality service and enhance the look and style of your home.

Recommended Installation by a Professional Plumbing Contractor

Note: The use of petroleum base plumbers putty on our products will nullify the warranty. We recommend the use of clear silicone sealing materials. Recommended deck thru hole Ø 1.375"

1. Insert hoses through deck hole one at a time and secure spout into place with MOUNTING STUD (1), MOUNTING BRACKING (2), and MOUNTING NUT (3). **See Figure 1.**
2. Attach hot/cold water supply hoses to valves in the wall. **See Figure 2.**
3. With the faucet handle in the OFF position, turn on the wall valves and check for leak.

