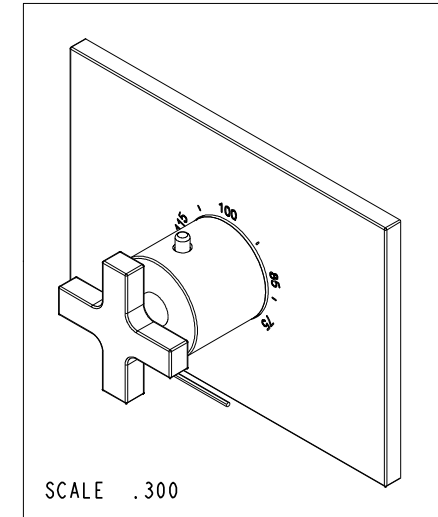
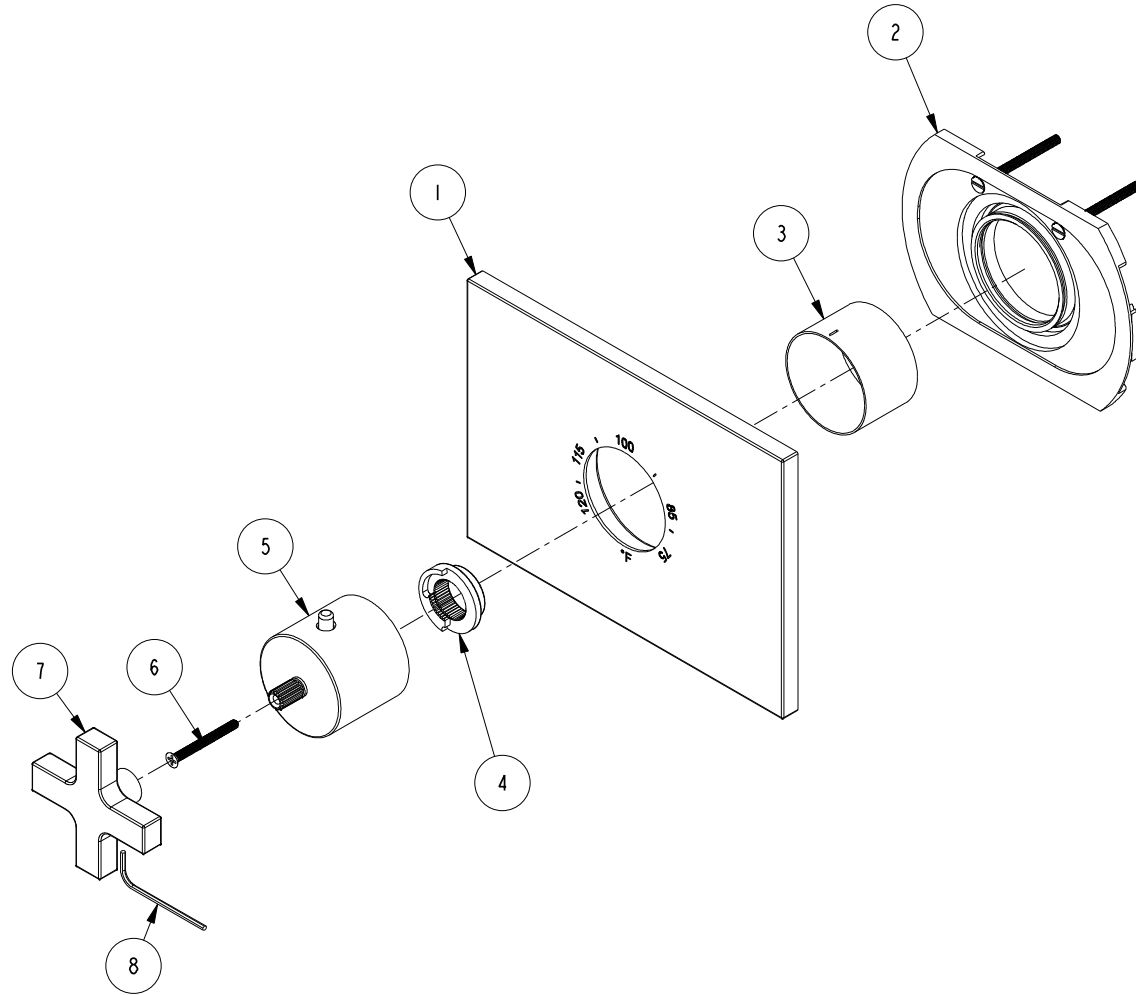


NOTES:

1. TO INSPECT ASSEMBLY, FOLLOW FIRST ARTICLE AND IN PROCESS INSPECTION SHEET.

BILL OF MATERIAL (CURRENT LEVEL)

ITEM	PT/ASSY	DESCRIPTION	TYPE	QTY.
1	12118	THERMO TRIM PLATE	PART	1
2	1-331	THERMO WALL PLATE ASM	ASSEMBLY	1
3	11029	SLEEVE - THERMO	PART	1
4	91308	TEMP LIMIT STOP - THERMO	PART	1
5	20-176	THERMO BONNET ASM	ASSEMBLY	1
6	92113	SCRW, M4 X .7 X 40 PHL FLT HD SS	PART	1
7	20-177	THERMO HANDLE ASM	ASSEMBLY	1
8	10192	HEX KEY TOOL, #8 5/64	PART	1



ZONE	REV	DESCRIPTION	DATE	APPROVED
-	A	EN-3961-2	07/06/20	J.M.
-	-	EN-3084c	10/05/16	AN

COPYRIGHT 2005 BRASSTECH, INC. THESE DRAWINGS AND THE DESIGNS DEPICTED HEREIN ARE THE PROPRIETARY PROPERTY OF BRASSTECH. ANY USE OR REPRODUCTION IS SUBJECT TO THE EXPRESS APPROVAL OF BRASSTECH. UNAUTHORIZED USE IS STRICTLY PROHIBITED. ALL RIGHTS RESERVED.

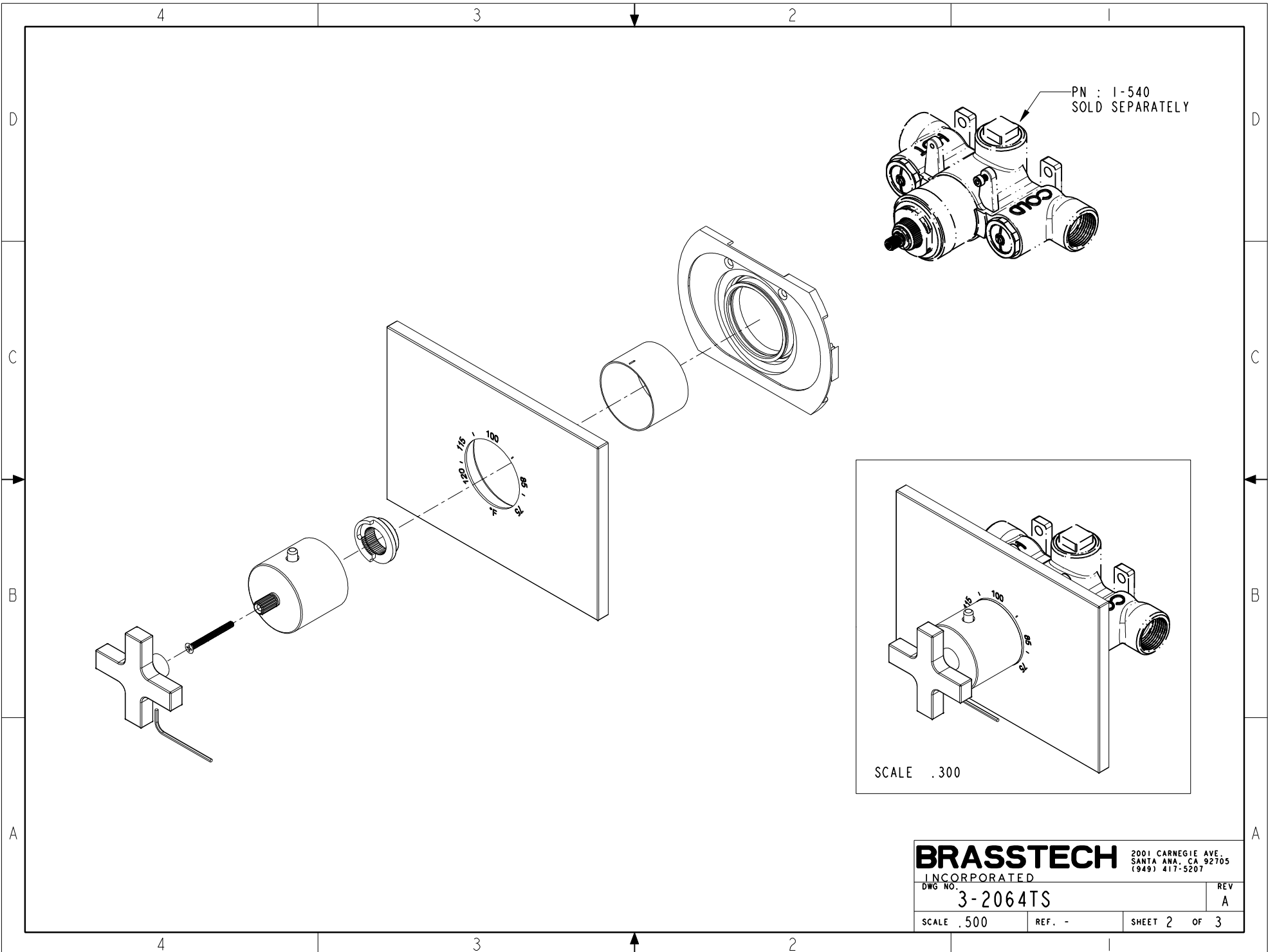
TESTING	ASSEMBLY	PLATING	POLISHING	MACHINING	TOOLING FIXTURE #	APPLICATION
-	-	-	-	-	-	REMOVE ALL BURRS AND SHARP EDGES

UNITS ARE: INCHES [MM]		
TOLERANCES ARE:		
FRACTIONS	DECIMALS	ANGLES
±1/16"	.X ±.1 [2.5]	±1°
	.XX ±.06 [1.5]	
(X.XXX) DENOTES CRITICAL DIMS. ALL THREADS ARE CRITICAL		
DRAWN	AN	10/05/16
CHECKED	AN	10/05/16
APPROVED	AN	10/05/16

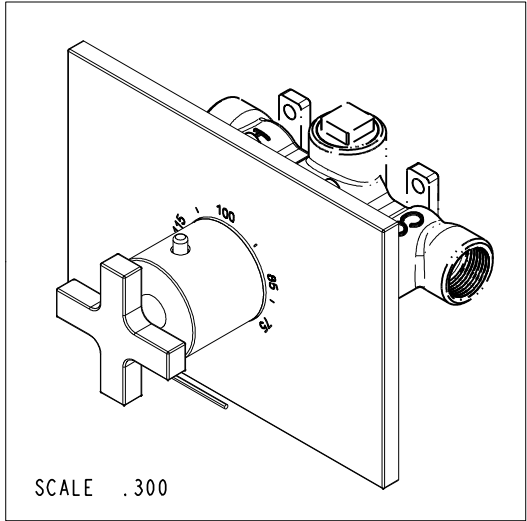
BRASSTECH 2001 CARNEGIE AVE. SANTA ANA, CA 92705 (949) 417-5207
INCORPORATED

3/4" THERMO TRIM

DWG NO.	REV
3-2064TS	A
SCALE .300	SHEET 1 OF 3

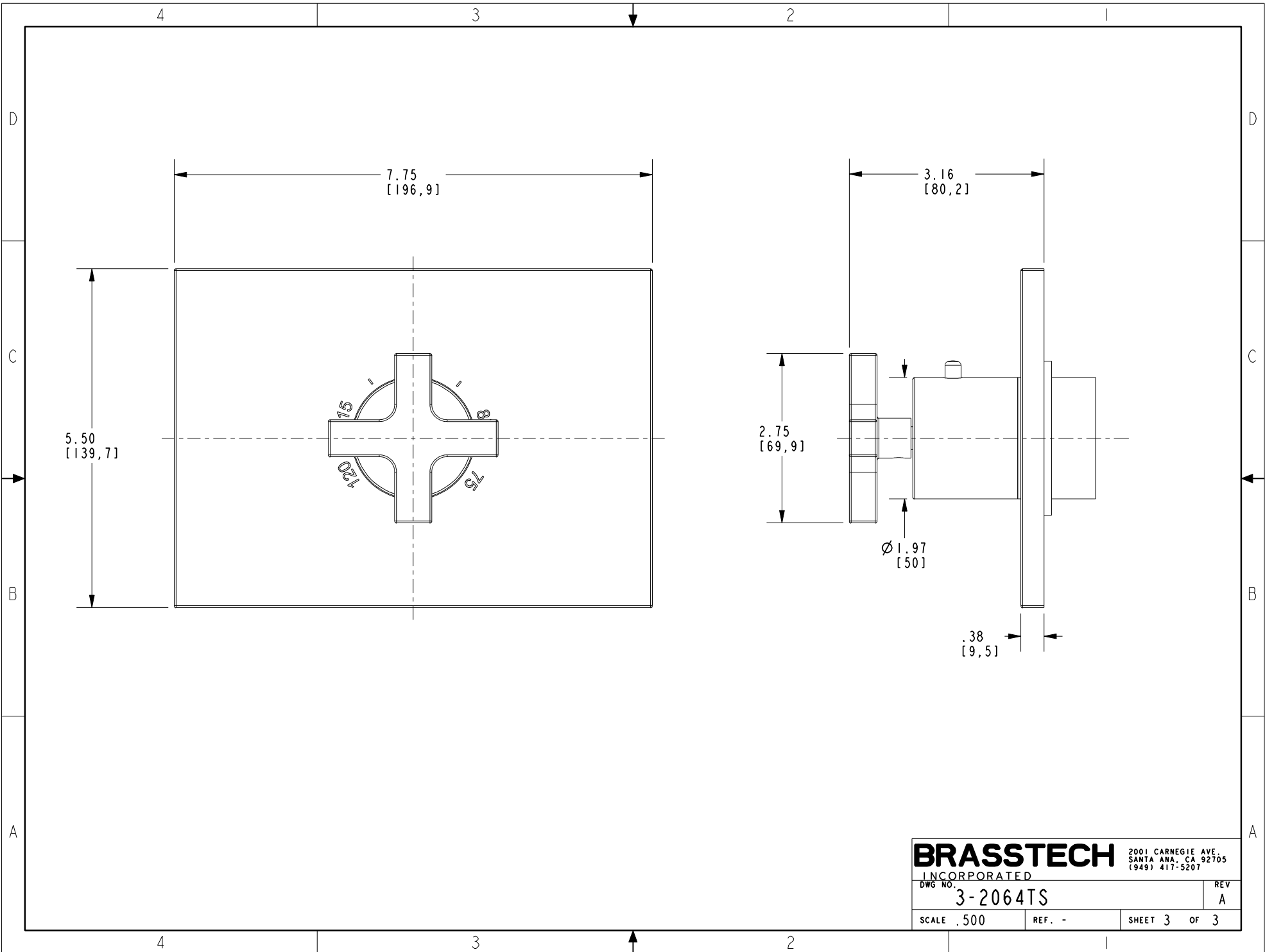


PN : 1-540
SOLD SEPARATELY



SCALE .300

BRASSTECH		2001 CARNEGIE AVE. SANTA ANA, CA 92705 (949) 417-5207	
INCORPORATED			
DWG NO.	3-2064TS	REV	A
SCALE .500	REF. -	SHEET 2	OF 3



BRASSTECH 2001 CARNEGIE AVE.
 INCORPORATED SANTA ANA, CA 92705
 (949) 417-5207

DWG NO.	REV
3-2064TS	A
SCALE .500	REF. -
SHEET 3 OF 3	