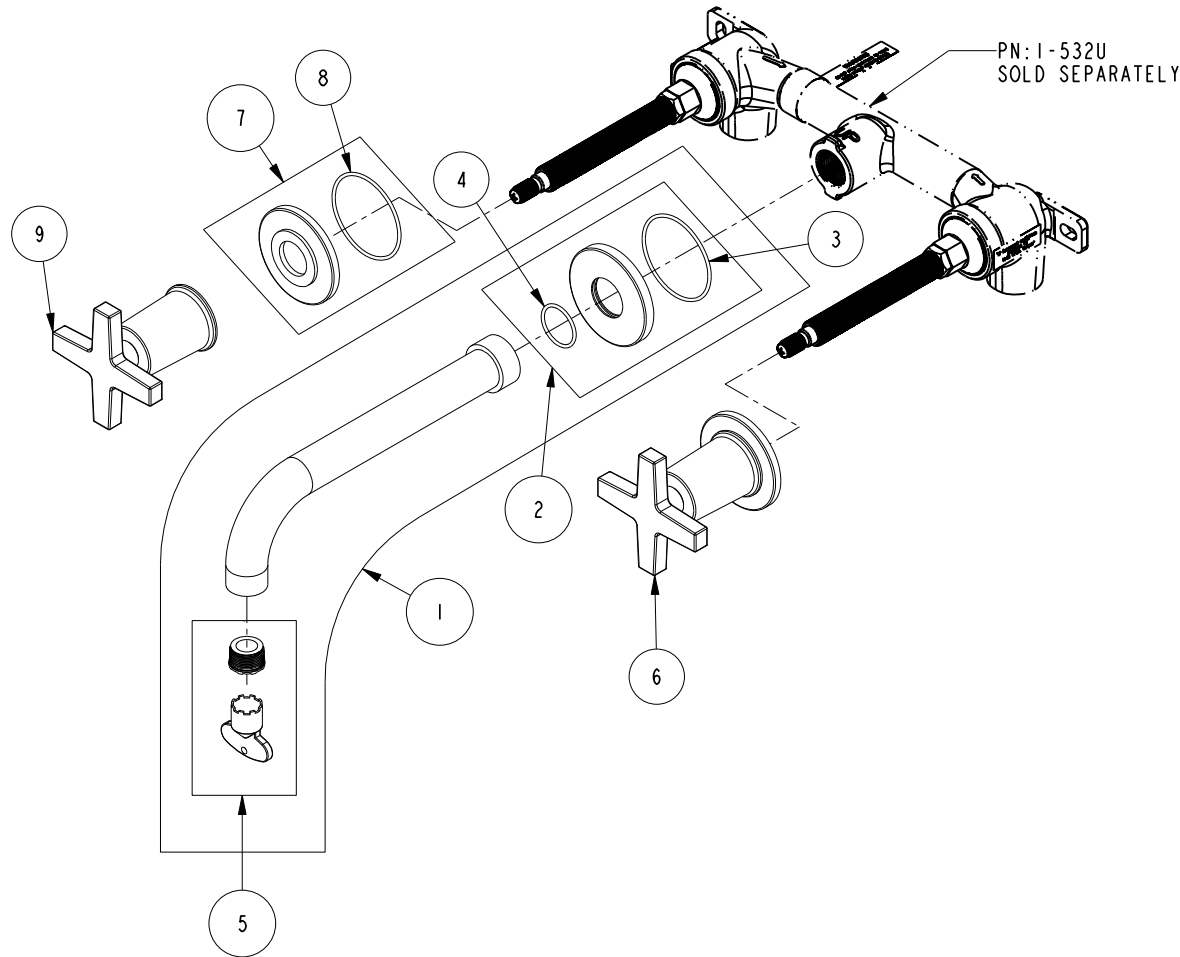


REPLACEMENT PARTS

ITEM	PT/ASSY	SPECIFY FINISH	DESCRIPTION
1	3-578	YES	W/M SPOUT & ESCUTCHEON ASM
2	20-747	YES	ESCUTCHEON ASM
3	91758		O-RING, #2-032, EPDM, 50 DURO - GREY
4	91217		O-RING, #2-020, EPDM, 65-75 DURO, NSF 61
5	1-492		AERATOR 1.2 GPM WITH KEY
6	3-573	YES	HANDLE AND ESCUTCHEON ASSEMBLY
7	20-162	YES	ESCUTCHEON ASM
8	91758		O-RING, #2-032, EPDM, 50 DURO - GREY
9	20-164	YES	CROSS HANDLE ASSEMBLY



WALL MOUNT LAV FAUCET
3-2981

REV C EN-4640-1 04/06/23 APPROVED RS

NEWPORT BRASS.

t: 949.417.5207 | www.newportbrass.com