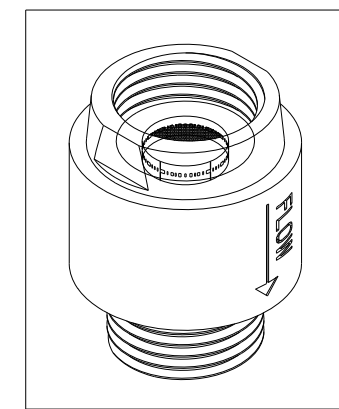
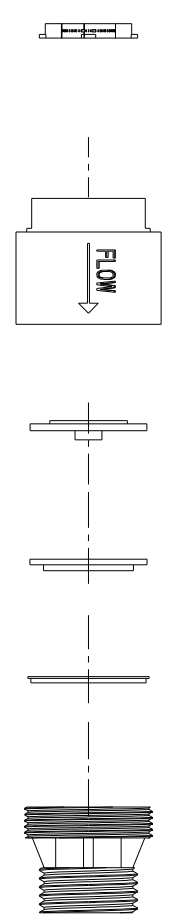
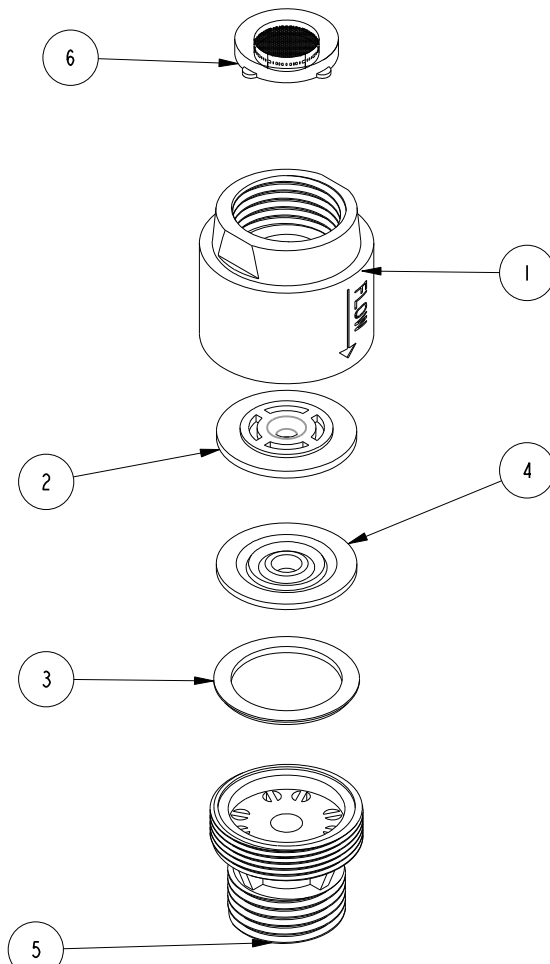


NOTES:

1. FIT / FORM / FUNCTION SHALL FOLLOW PS-E.008.

BILL OF MATERIAL (CURRENT LEVEL)

ITEM	PT/ASSY	DESCRIPTION	TYPE	QTY.
1	50309	BODY	PART	1
2	91183	DIFFUSER PLASTIC	PART	1
3	91186	FIBER GASKET	PART	1
4	91184	GASKET MOLDED RUBBER	PART	1
5	91185	CHECK VALVE HOUSING	PART	1
6	91731	GASKET W/ FILTER SCREEN	PART	1



TESTING	-	-	-
ASSEMBLY	-	-	-
PLATING	-		
POLISHING	-	NEXT ASSY	USED ON
MACHINING	-	APPLICATION	
TOOLING FIXTURE #		REMOVE ALL BURRS AND SHARP EDGES	

BRASSTECH 2001 CARNEGIE AVE.
INCORPORATED SANTA ANA, CA 92705
(949) 417-5207

VACUUM BREAKER

DWG NO. **291** REV **B**

SCALE **0.750** REF. - SHEET **1** OF **2**

COPYRIGHT 2005 BRASSTECH, INC. THESE DRAWINGS AND THE DESIGNS DEPICTED HEREIN ARE THE PROPRIETARY PROPERTY OF BRASSTECH. ANY USE OR REPRODUCTION IS SUBJECT TO THE EXPRESS APPROVAL OF BRASSTECH. UNAUTHORIZED USE IS STRICTLY PROHIBITED. ALL RIGHTS RESERVED.

-	A	EN-3543	4/26/18	J. A.
ZONE	REV	DESCRIPTION	DATE	APPROVED

D
C
B
A

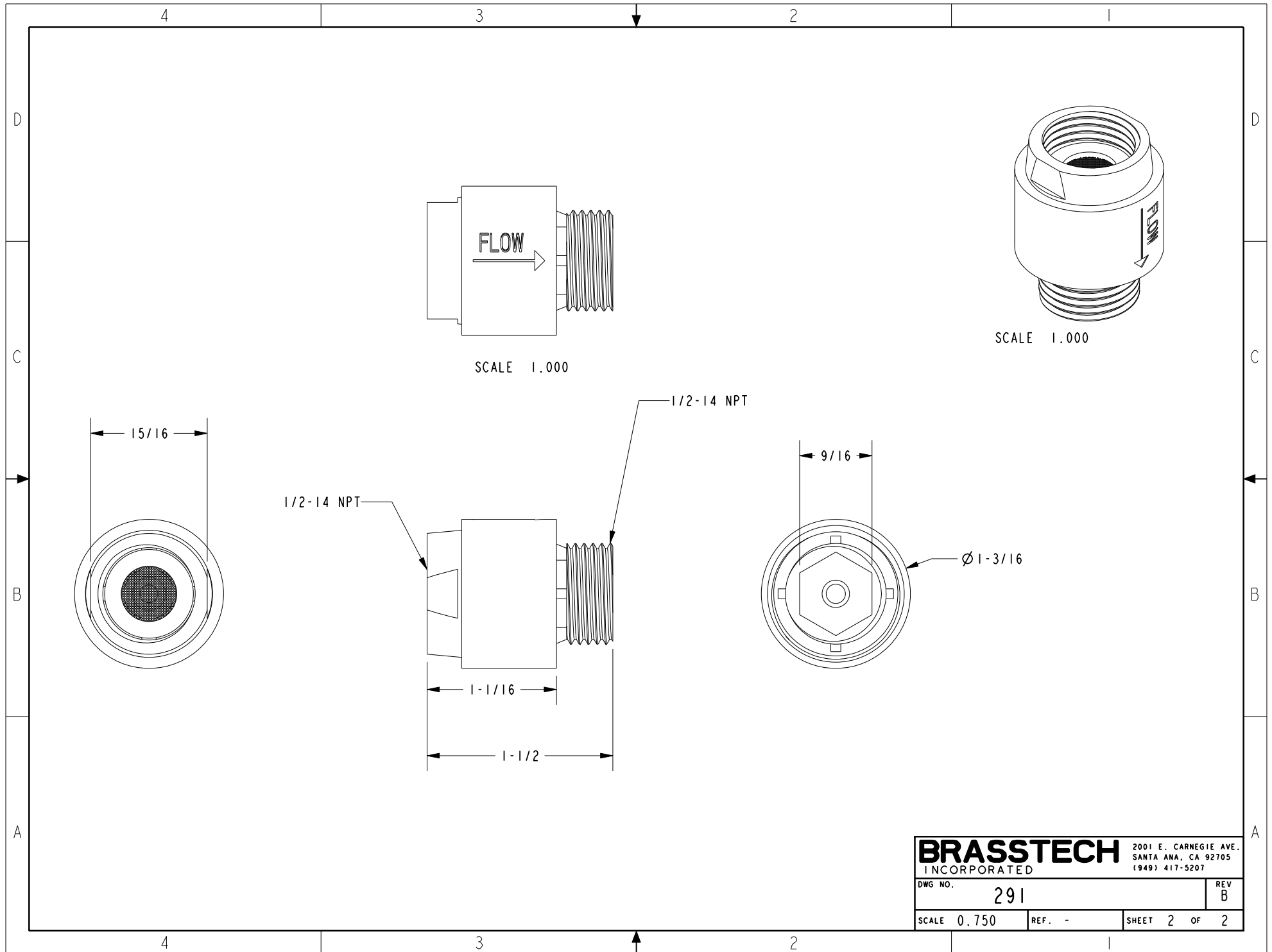
D
C
B
A

4

3

2

1



BRASSTECH		2001 E. CARNEGIE AVE.	
INCORPORATED		SANTA ANA, CA 92705	
DWG NO. 291		REV B	
SCALE 0.750	REF. -	SHEET 2 OF 2	