

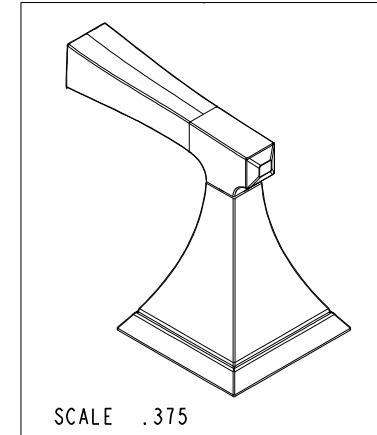
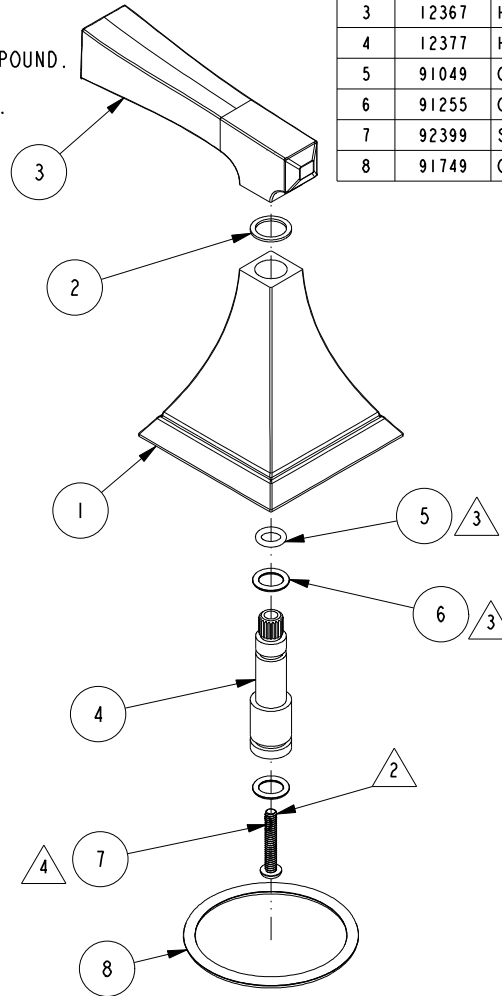
NOTES:

1. TO INSPECT ASSEMBLY, FOLLOW FIRST ARTICLE AND IN PROCESS INSPECTION SHEET.

2 ITEM 7 AS RECEIVED HAS NYLON PATCH.
IF NYLON PATCH IS MISSING, APPLY
ADHESIVE LOCTITE 680 APPROX. WHERE SHOWN.

3 APPLY LIGHT FILM OF DOW CORNING III SILICONE COMPOUND.

4 TORQUE REQUIRED TO TIGHTEN THE SCREW : 6-8 LB-IN.



BILL OF MATERIAL (CURRENT LEVEL)				
ITEM	PT/ASSY	DESCRIPTION	TYPE	QTY.
1	12366	HANDLE ESCUTCHEON	PART	1
2	91371	WASHER, HANDLE	PART	1
3	12367	HANDLE LEVER	PART	1
4	12377	HANDLE ADAPTER	PART	1
5	91049	O-RING, #2- 010, EPDM, 65-75 DURO, NSF 61	PART	1
6	91255	O-RING, #2- 011, EPDM, 65-75 DURO, NSF-61	PART	2
7	92399	SCRW, 6-32 X 7/8" TORX BUTTON HD SS W/ NYLON PATCH	PART	1
8	91749	O-RING, #2-225, EPDM, 50 DURO - GREY	PART	1

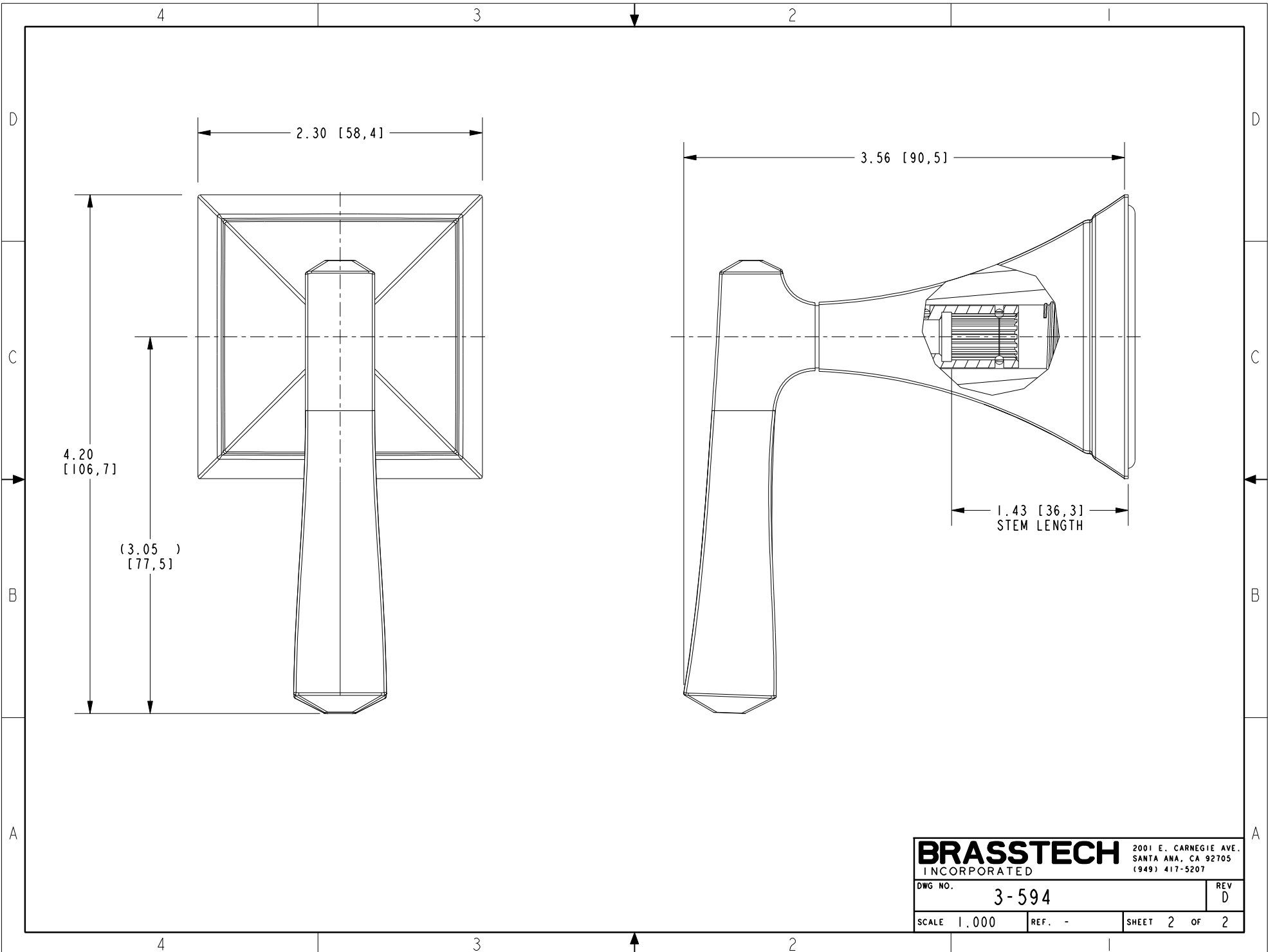
-	D	EN-4300j	12/16/20	R.S.
-	C	EN-3722	02/08/19	C.G.
-	B	EN-3550	03/14/18	J.M.
-	A	EN-3387	08/17/17	J.M.
-	-	EN-3185	11/28/16	J.M.
ZONE	REV	DESCRIPTION	DATE	APPROVED

COPYRIGHT 2005 BRASSTECH, INC. THESE DRAWINGS AND THE DESIGNS DEPICTED HEREIN ARE THE PROPRIETARY PROPERTY OF BRASSTECH. ANY USE OR REPRODUCTION IS SUBJECT TO THE EXPRESS APPROVAL OF BRASSTECH. UNAUTHORIZED USE IS STRICTLY PROHIBITED. ALL RIGHTS RESERVED.

TESTING	-	-	-
ASSEMBLY	-	-	-
PLATING	-	3-2575	3-2575
POLISHING	-	NEXT ASSY	USED ON
MACHINING	-	APPLICATION	
TOOLING FIXTURE #	REMOVE ALL BURRS AND SHARP EDGES		

UNITS ARE: INCHES [MM]		
TOLERANCES ARE:		
FRACTIONS	DECIMALS	ANGLES
±1/16"	.X ±.1 [2.5]	±1°
	.XX ±.06 [1.5]	
(X.XXX) DENOTES CRITICAL DIMS. ALL THREADS ARE CRITICAL		
DRAWN	JIMSON	12/16/20
CHECKED	R.S.	12/16/20
APPROVED	R.S.	12/16/20

BRASSTECH		2001 CARNEGIE AVE. SANTA ANA, CA 92705 (949) 417-5207	
INCORPORATED			
LEVER HANDLE W/ESC.			
DWG NO.		REV	
3-594		D	
SCALE	REF.	SHEET	OF
.425		1	2



BRASSTECH		2001 E. CARNEGIE AVE. SANTA ANA, CA 92705 (949) 417-5207	
DWG NO.	3-594	REV	D
SCALE	1.000	REF.	-
		SHEET	2 OF 2