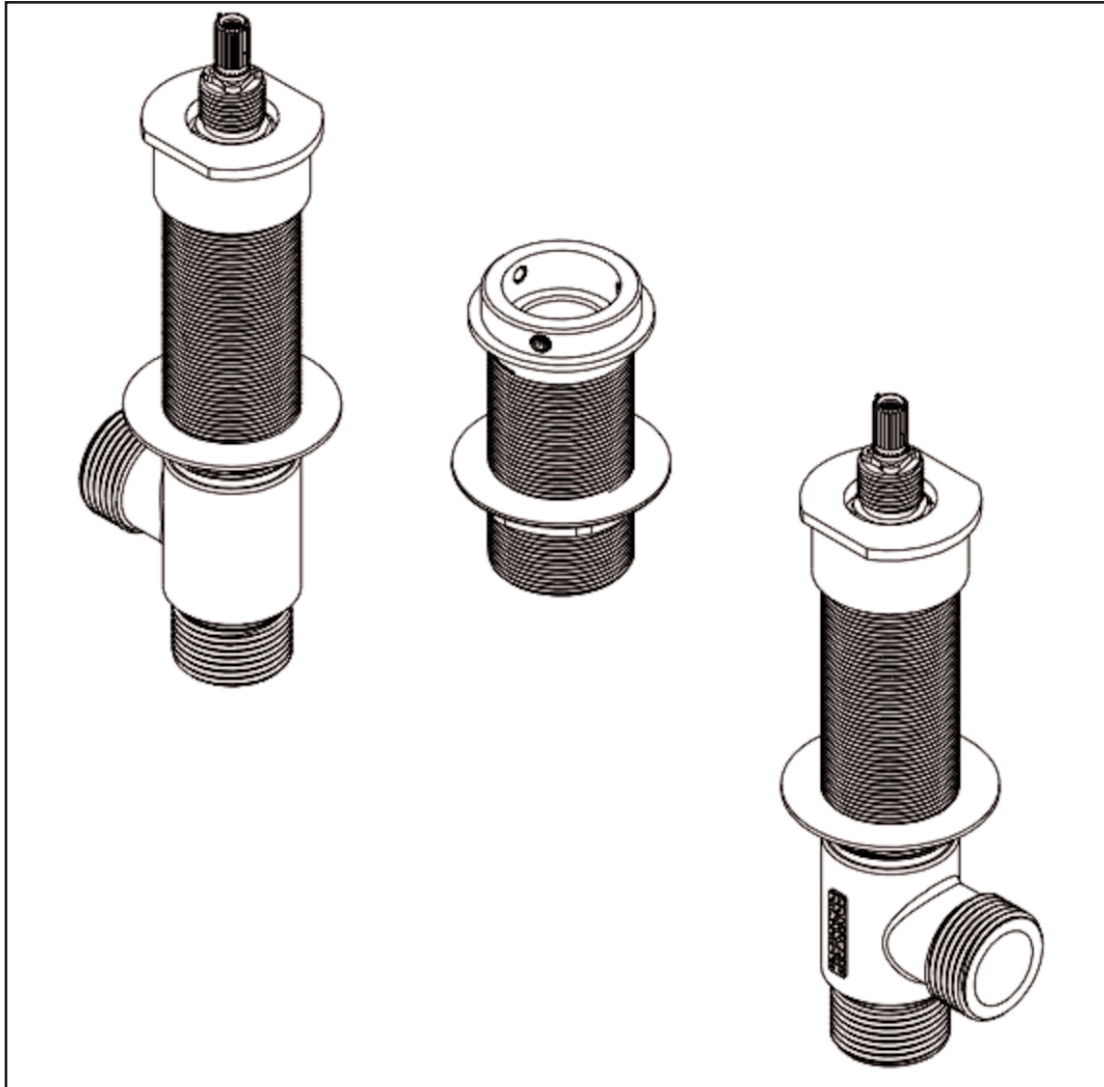


INSTALLATION INSTRUCTIONS ROMAN TUB 2 VALVE AND TRIM

Valve Model No's: I-677 & I-697



NEWPORT BRASS
Flawless Beauty. From Faucet to Finish.™

2001 CARNEGIE AVE, SANTA ANA CA 92705

(949) 417-5207

WWW.NEWPORTBRASS.COM

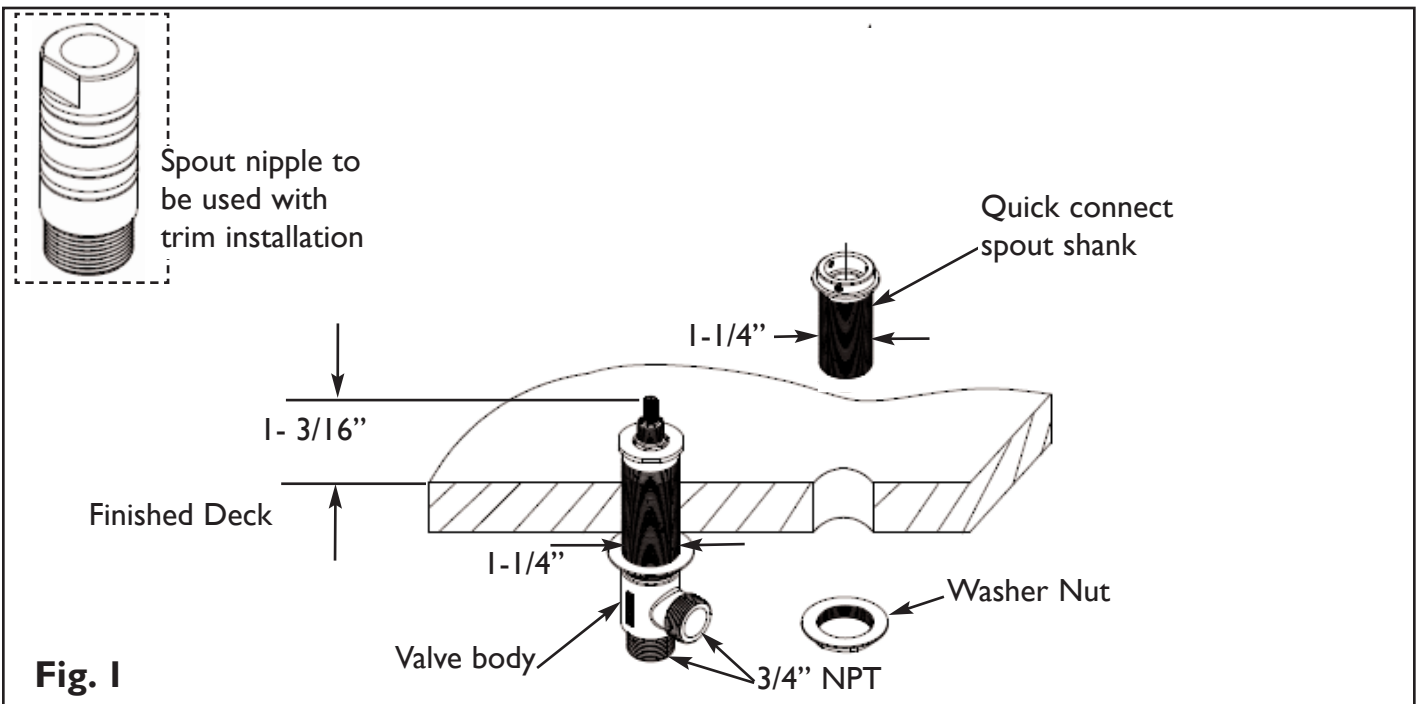
Rough-in Valve Installation

Recommended Installation by a Professional Plumbing Contractor

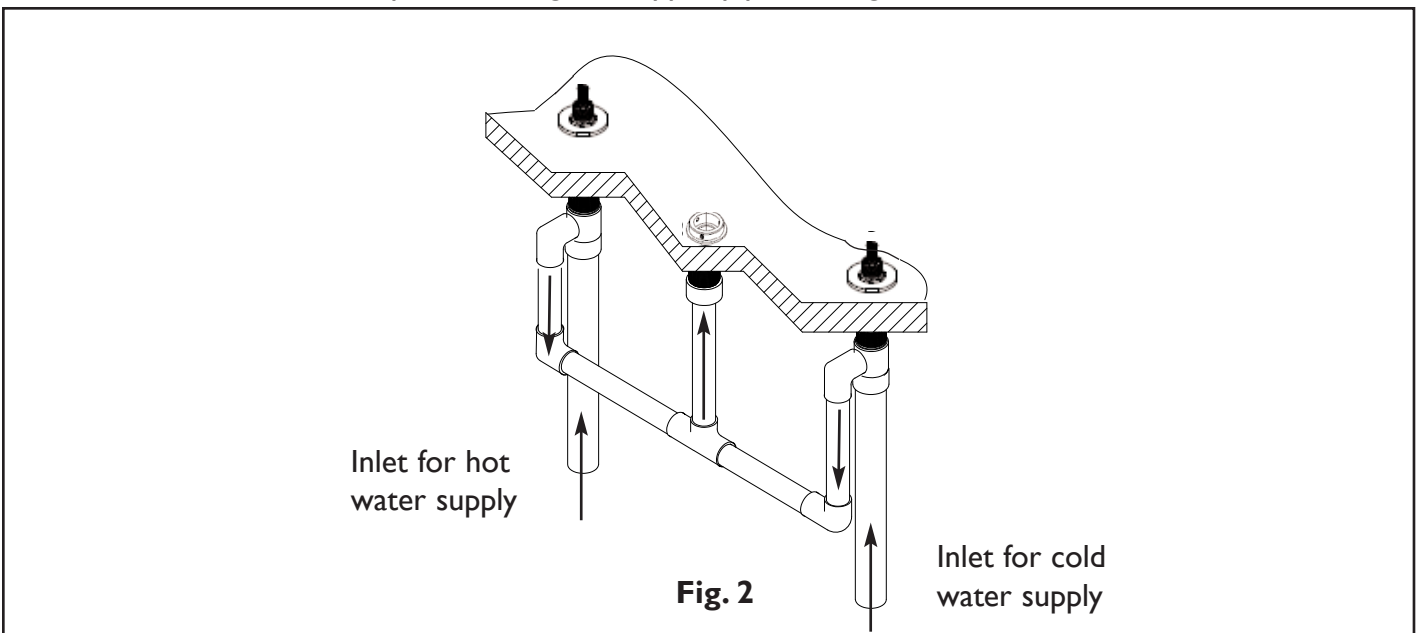
Note: Use plumbers tape or equivalent to seal all threaded joints.

Warning: To prevent severe damage to valve body, any solder/braze process must be performed a min. of 4" from ports.

1. Install the quick connect spout shank through center hole of mounting surface. Secure with washer nut. See Fig. 1.
2. Place washer nut on valve body. Insert body, (blue cold & red hot), through hole from below mounting surface. See Fig. 1. Adjust and secure with additional nut so that the top of valve stem is at the correct height from mounting surface.



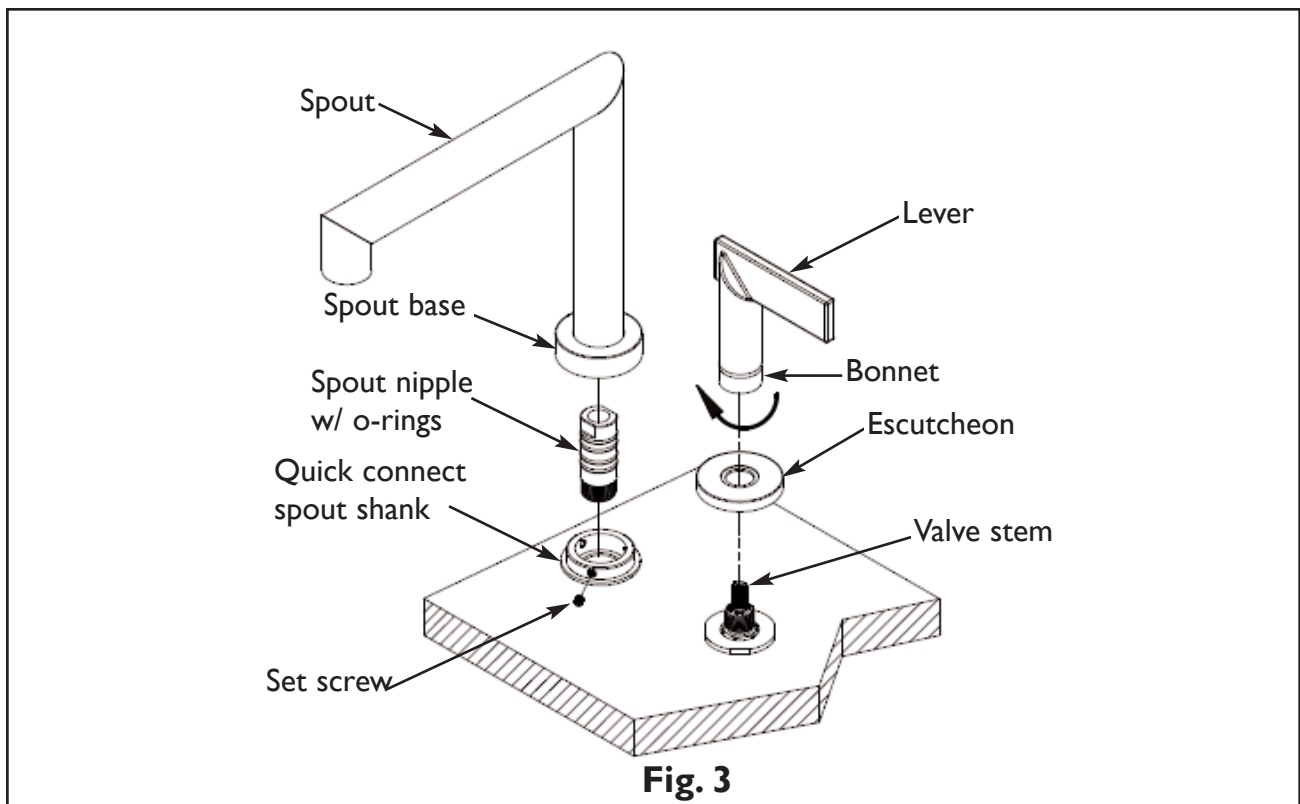
3. Attach hot/cold valves to spout, utilizing 3/4" copper pipe. See Fig. 3.



Trim Installation

Note: To achieve desired handle rotational alignment, the cartridge **MUST** be tightened in a clockwise rotation only. The use of petroleum base plumbers putty on our products will nullify the warranty. We recommend the use of clear silicone sealing materials. (Cartridge factory torque is set @ 14-16 ft-lbs.)

4. Apply plumbers tape to spout nipple and install into quick connect spout shank. Slide spout base onto spout (re-grease if necessary). Make sure spout bottoms out onto quick connect spout and then secure in place with setscrews. See Fig. 3.
5. Place escutcheon over valve stem. Secure handle assembly into place by first engaging the valve stem, then position and holding the handle lever while rotating the bonnet. Any adjustments for rotational alignment must be made to the valve body, not to the cartridge. See Fig 3.
6. Turn on water supply, check for leaks and make any final adjustments required.



2001 CARNEGIE AVE, SANTA ANA CA 92705

(949) 417-5207

WWW.NEWPORTBRASS.COM