

BILL OF MATERIAL (CURRENT LEVEL)				
ITEM	PT/ASSY	DESCRIPTION	TYPE	QTY.
1	1-212	ACCESSORY MTG KIT	ASSEMBLY	1
2	1-125	HARDWARE KIT	ASSEMBLY	1
3	10996	ESCUTCHEON TAPERED SQ	PART	1
4	7-629	POST ASM DBL GRMT HK	ASSEMBLY	1
5	91126	O-RING #2-026	PART	1

COPYRIGHT 2005 BRASSTECH, INC. THESE DRAWINGS AND THE DESIGNS DEPICTED HEREIN ARE THE PROPRIETARY PROPERTY OF BRASSTECH. ANY USE OR REPRODUCTION IS SUBJECT TO THE EXPRESS APPROVAL OF BRASSTECH. UNAUTHORIZED USE IS STRICTLY PROHIBITED. ALL RIGHTS RESERVED.

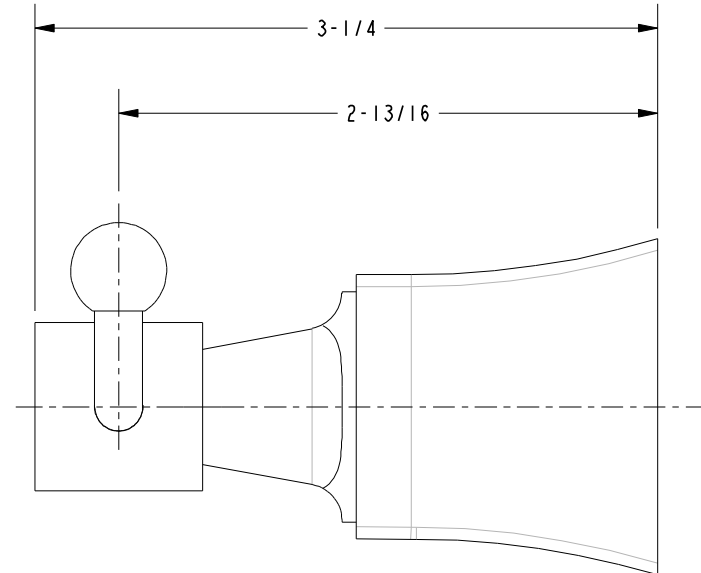
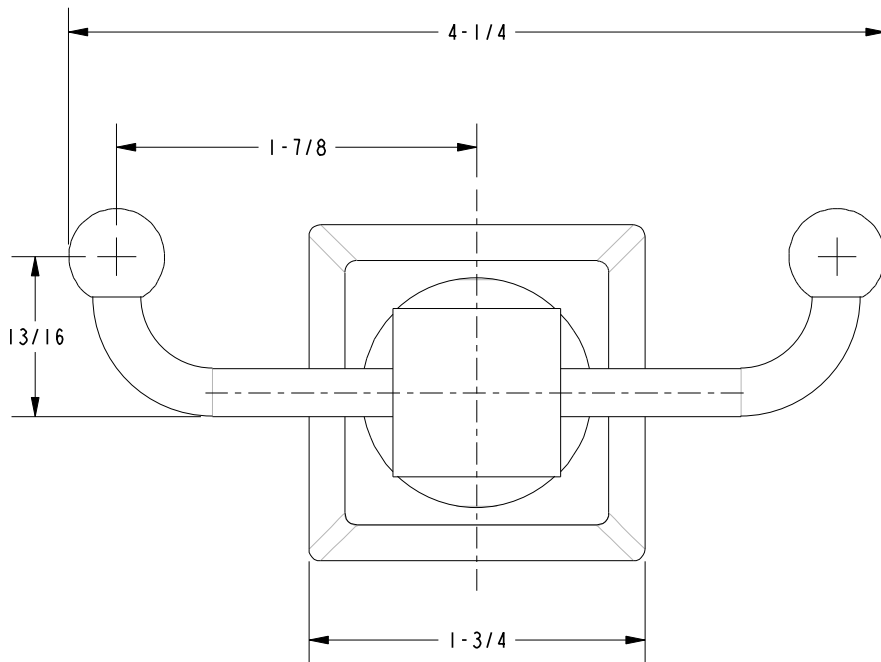
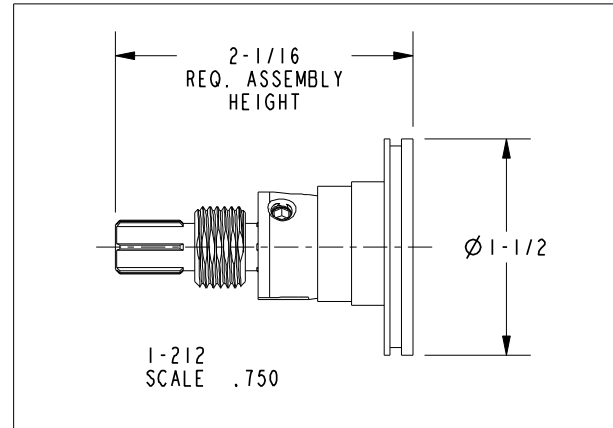
BRASSTECH
INCORPORATED

2001 E. CARNEGIE AVE.
SANTA ANA, CA 92705
(949) 417-5207

DOUBLE GARMENT HOOK, ASM NC3

ASSY. NO.		26-13	
SCALE	REF.	SHEET	OF
.500	-	1	2
REV	REV DESC	DATE	
E	EN-1241	12/10/09	
D	ECN-1161	12/09/08	
C	EO-0665	03/28/06	

SPECIFICATION DWG



DIMENSIONS ARE IN INCHES AND AN APPROXIMATION OF A TYPICAL INSTALLATION

COPYRIGHT 2005 BRASSTECH, INC. THESE DRAWINGS AND THE DESIGNS DEPICTED HEREIN ARE THE PROPRIETARY PROPERTY OF BRASSTECH. ANY USE OR REPRODUCTION IS SUBJECT TO THE EXPRESS APPROVAL OF BRASSTECH. UNAUTHORIZED USE IS STRICTLY PROHIBITED. ALL RIGHTS RESERVED.

BRASSTECH		2001 E. CARNEGIE AVE.	
INCORPORATED		SANTA ANA, CA 92705	
		(949) 417-5207	
DWG NO.	26-13	REF.	REV E
SCALE 1.000	REF. -	SHEET 2 OF 2	