

4

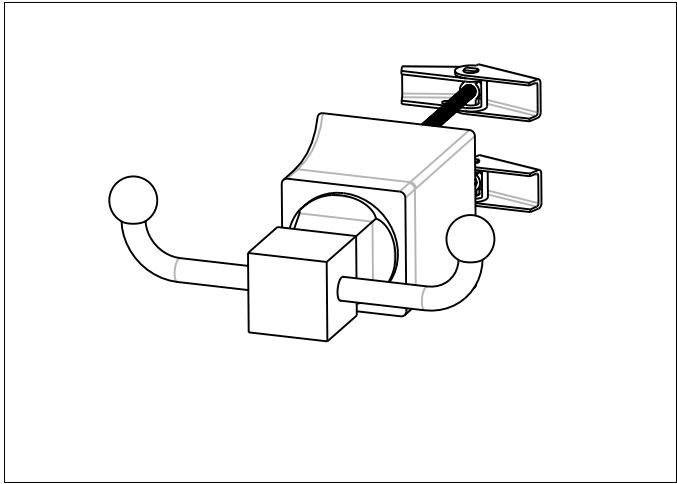
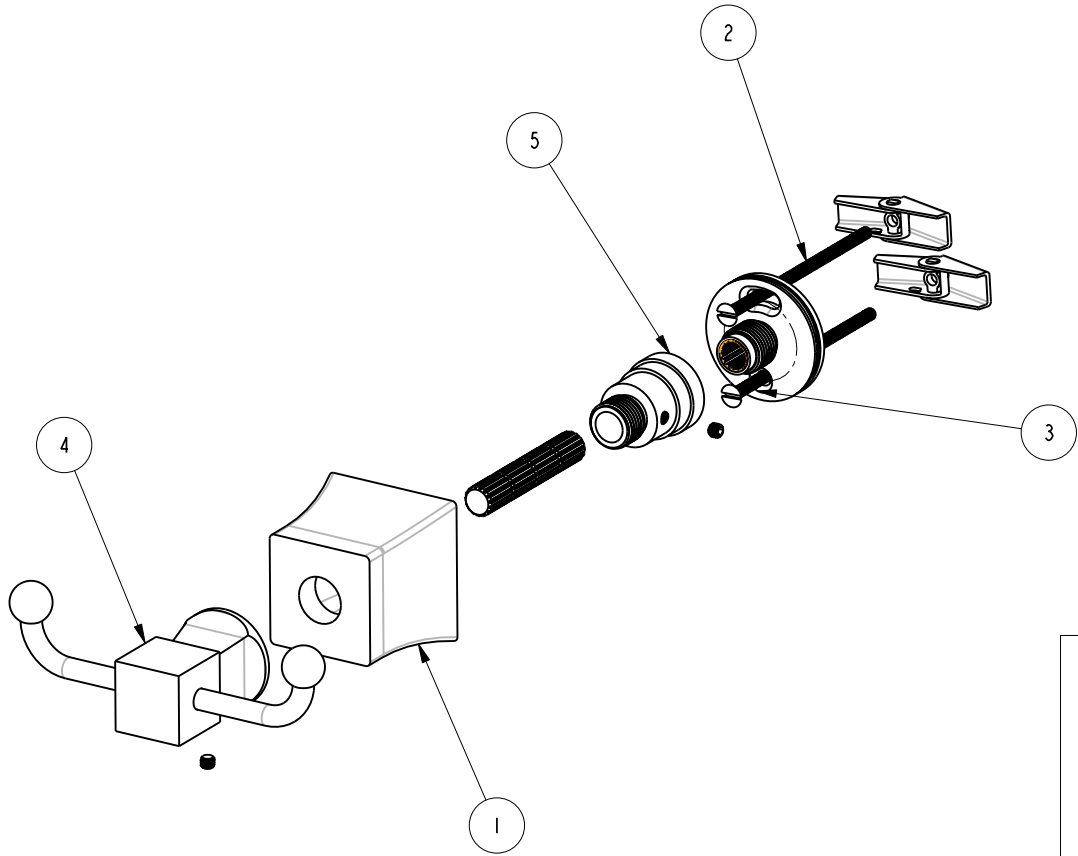
3

2

1

BILL OF MATERIAL (CURRENT LEVEL)

ITEM	PT/ASSY	DESCRIPTION	TYPE	QTY.
1	10996	ESCUTCHEON TAPERED SO	PART	1
2	1-125	HARDWARE KIT	ASSEMBLY	1
3	91080	O-RING (PARKER 2-027)	PART	1
4	7-629	POST ASM DBL GRMT HK	ASSEMBLY	1
5	1-120	SINGLE POST MTG. ASSEMBLY	ASSEMBLY	1



COPYRIGHT 2005 BRASSTECH, INC. THESE DRAWINGS AND THE DESIGNS DEPICTED HEREIN ARE THE PROPRIETARY PROPERTY OF BRASSTECH. ANY USE OR REPRODUCTION IS SUBJECT TO THE EXPRESS APPROVAL OF BRASSTECH. UNAUTHORIZED USE IS STRICTLY PROHIBITED. ALL RIGHTS RESERVED.

BRASSTECH
 INCORPORATED
 2001 E. CARNEGIE AVE.
 SANTA ANA, CA 92705
 (949) 417-5207

DOUBLE GARMENT HOOK, ASM NC3

ASSY. NO.

26-13

SCALE .450

REF. -

SHEET 1 OF 2

C	EO-0665	03/28/06
B	EO-0360	08/10/04
A	EO-0398	08/05/04
-	RELEASED	08/29/03
REV	REV DESC	DATE

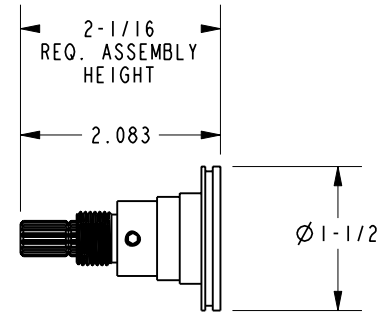
4

3

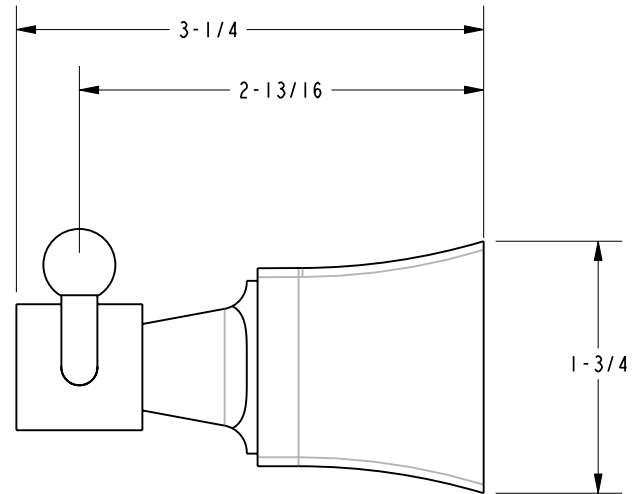
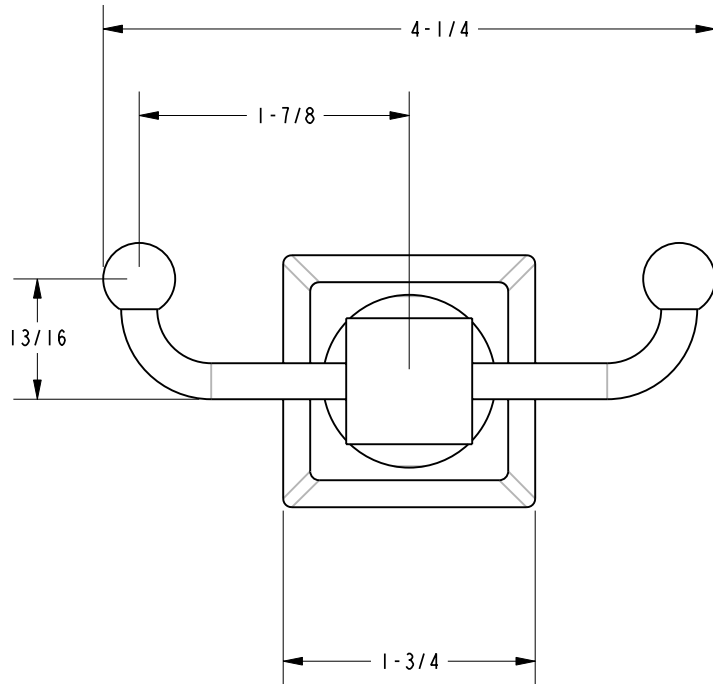
2

1

SPECIFICATION DWG



SCALE .500



DIMENSIONS ARE IN INCHES AND AN APPROXIMATION OF A TYPICAL INSTALLATION

COPYRIGHT 2005 BRASSTECH, INC. THESE DRAWINGS AND THE DESIGNS DEPICTED HEREIN ARE THE PROPRIETARY PROPERTY OF BRASSTECH. ANY USE OR REPRODUCTION IS SUBJECT TO THE EXPRESS APPROVAL OF BRASSTECH. UNAUTHORIZED USE IS STRICTLY PROHIBITED. ALL RIGHTS RESERVED.

BRASSTECH		2001 E. CARNEGIE AVE.
INCORPORATED		SANTA ANA, CA 92705
		(949) 417-5207
DWG NO.	26-13	REV C
SCALE 1.000	REF. -	SHEET 2 OF 2