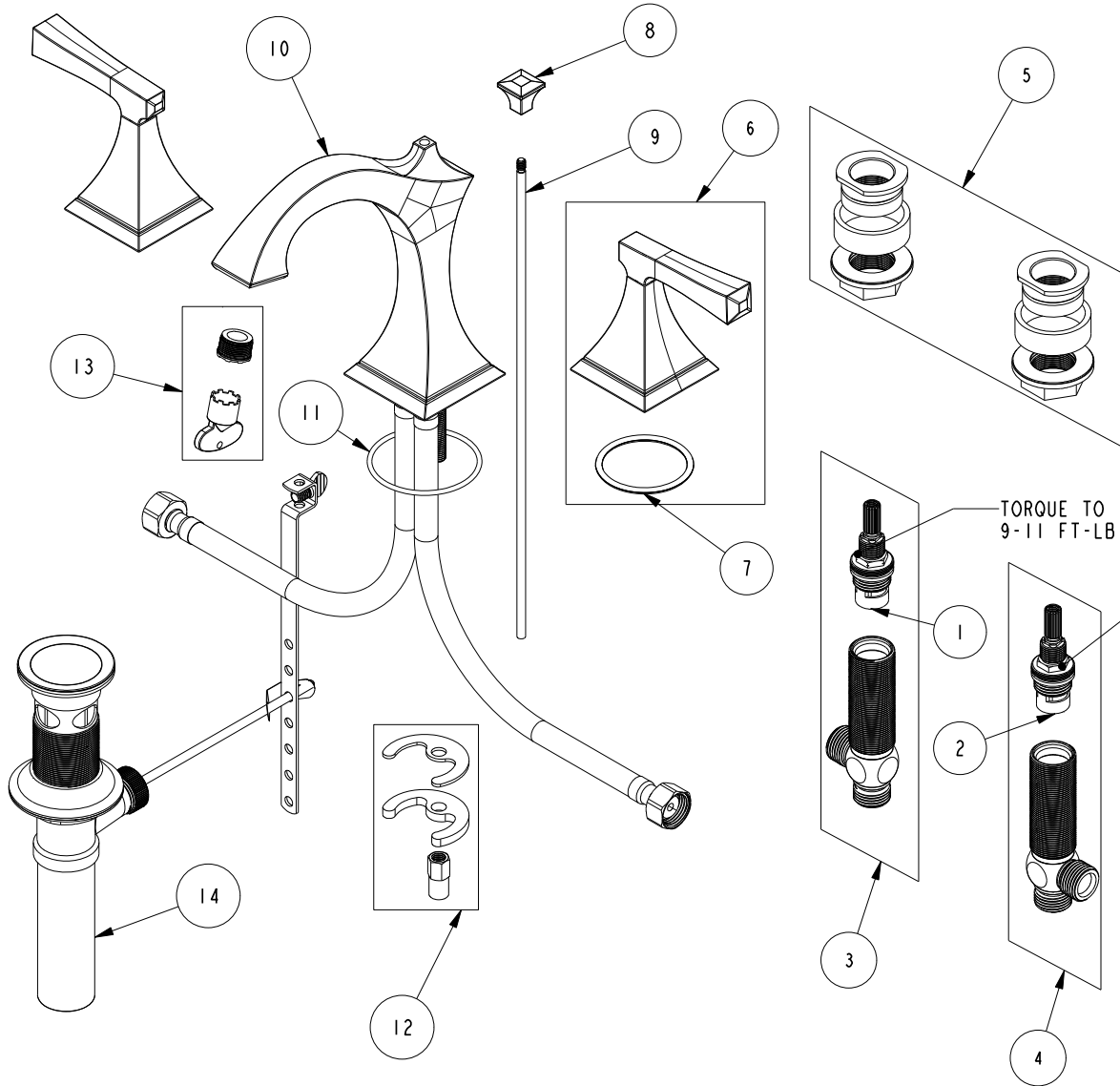


# REPLACEMENT PARTS



ITEM	PT/ASSY	SPECIFY FINISH	DESCRIPTION
1	1-001		W/S CARTRIDGE - COLD
2	1-002		W/S CARTRIDGE - HOT
3	1-526		W/S CART/BODY ASM (COLD)
4	1-527		W/S CART/BODY ASM (HOT)
5	1-226		WIDESPREAD MOUNTING HARDWARE
6	3-594	YES	LEVER HANDLE W/ESC.
7	91749		O-RING, #2-225, EPDM, 50 DURO - GREY
8	12363	YES	POP UP KNOB
9	10288	YES	3/16" POP UP ROD
10	20-112	YES	W/S SPOUT ASM
11	91774		O-RING, #2-141, EPDM, 50 DURO - GREY
12	1-491		SPOUT MOUNTING KIT
13	1-492		AERATOR 1.2 GPM WITH KEY
14	325	YES	POP UP ASSEMBLY

**WIDESPREAD FAUCET  
2570**

REV E EN-4734 11/08/23 APPROVED R.S.

**NEWPORT BRASS.**

t: 949.417.5207 | www.newportbrass.com