

4

3

2

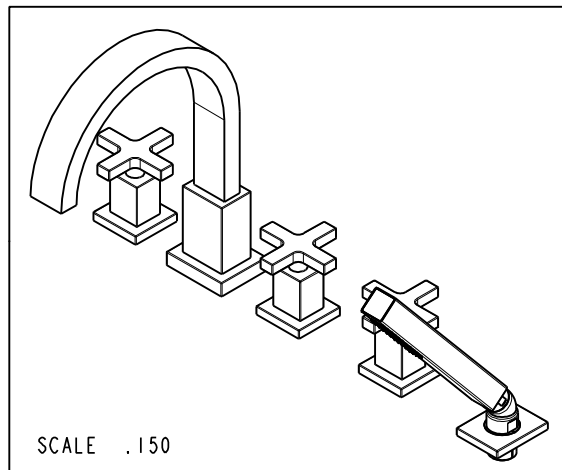
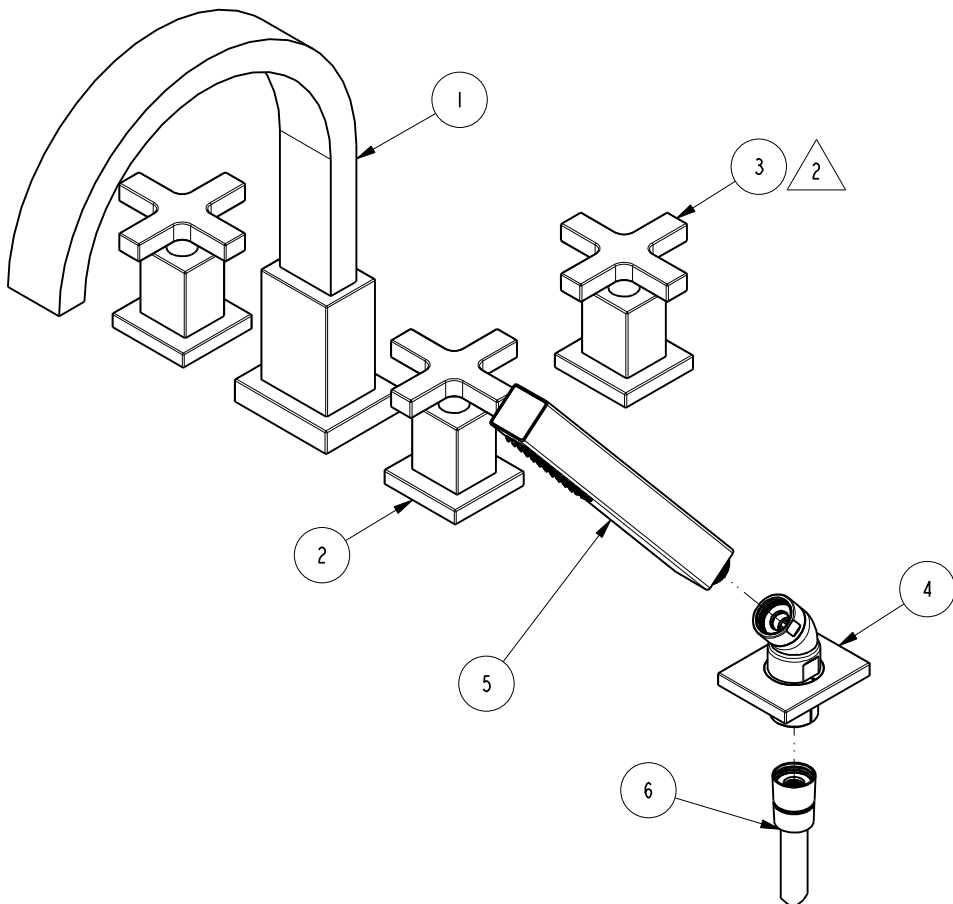
1

NOTES:

- (NI) 1. FIT / FORM / FUNCTION SHALL FOLLOW PS-E.008.
- 2. BAG AND LABEL: "3-586 DIVERTER CROSS HANDLE".

BILL OF MATERIAL (CURRENT LEVEL)

ITEM	PT/ASSY	DESCRIPTION	TYPE	QTY.
1	3-370	R/T SPOUT ASSEMBLY	ASSEMBLY	1
2	3-577	HANDLE CROSS/ ESC ASM	ASSEMBLY	2
3	3-586	DIVERTER CROSS HANDLE/ ESC ASM	ASSEMBLY	1
4	6-289-4	DECK FLANGE TRIM	ASSEMBLY	1
5	283-102	SQUARE WAND HANDSHOWER	ASSEMBLY	1
6	284	59 IN. SPIRAL SHOWER HOSE	ASSEMBLY	1



D

D

C

C

B

B

A

A

ZONE	REV	DESCRIPTION	DATE	APPROVED
-	A	EN-3397	06/04/18	J.A.
-	-	EN-3084c	10/05/16	AN

COPYRIGHT 2005 BRASSTECH, INC. THESE DRAWINGS AND THE DESIGNS DEPICTED HEREIN ARE THE PROPRIETARY PROPERTY OF BRASSTECH. ANY USE OR REPRODUCTION IS SUBJECT TO THE EXPRESS APPROVAL OF BRASSTECH. UNAUTHORIZED USE IS STRICTLY PROHIBITED. ALL RIGHTS RESERVED.

TESTING	ASSEMBLY	PLATING	POLISHING	MACHINING	TOOLING FIXTURE #	APPLICATION
-	-	-	-	-	-	REMOVE ALL BURRS AND SHARP EDGES

UNITS ARE: INCHES [MM]
TOLERANCES ARE:
FRACTIONS DECIMALS ANGLES
±1/16" .X ±.1 [2.5] ±1°
.XX ±.06 [1.5]

(X.XXX) DENOTES CRITICAL DIMS.
ALL THREADS ARE CRITICAL

DRAWN	JINSON	06/04/18
CHECKED	J.A.	06/04/18
APPROVED	J.A.	06/04/18

BRASSTECH 2001 CARNEGIE AVE.
INCORPORATED SANTA ANA, CA 92705
(949) 417-5207

ROMAN TUB FAUCET W/
HANDSHOWER

DWG NO. 3-2067 REV A

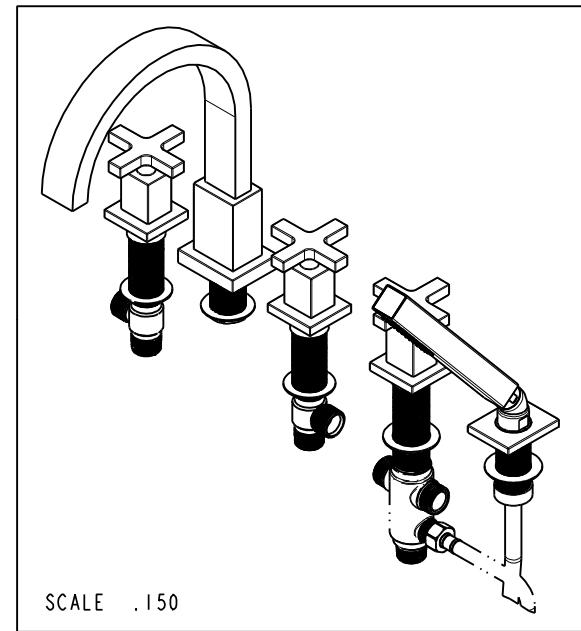
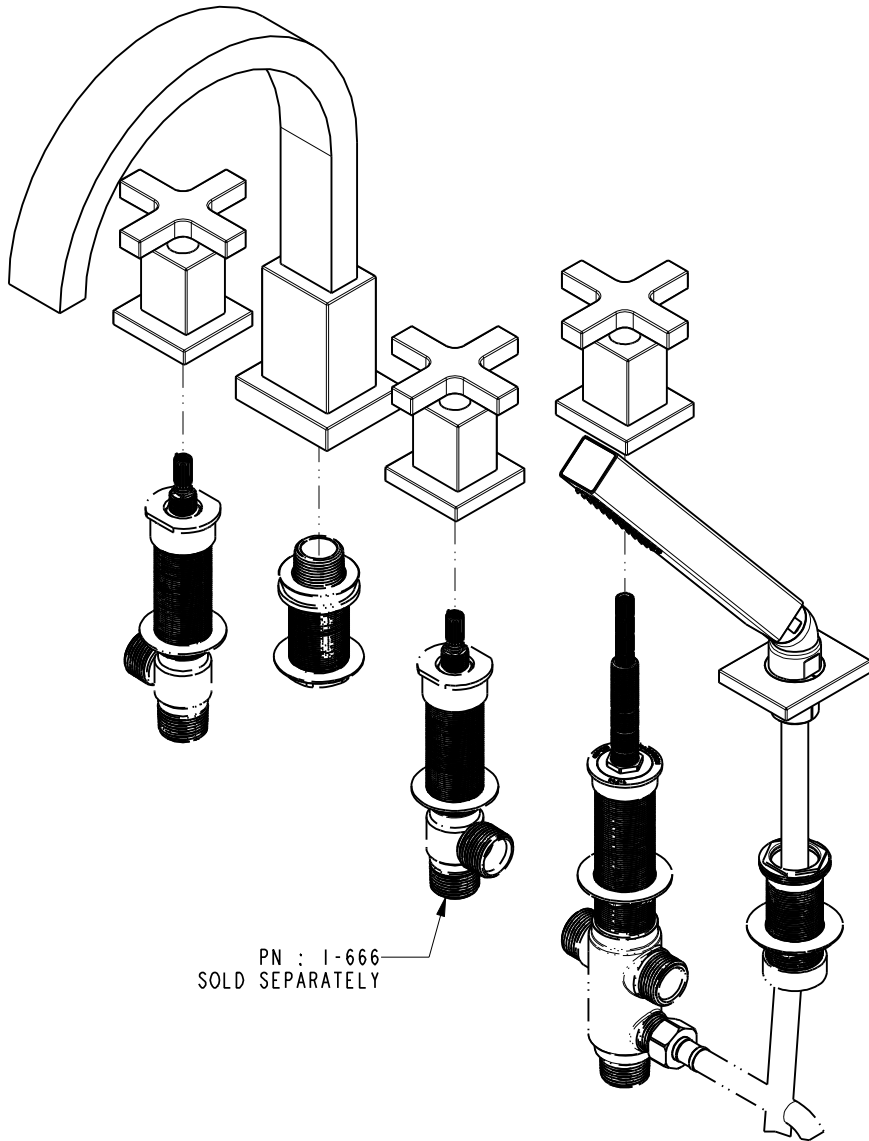
SCALE .250 REF. - SHEET 1 OF 3

4

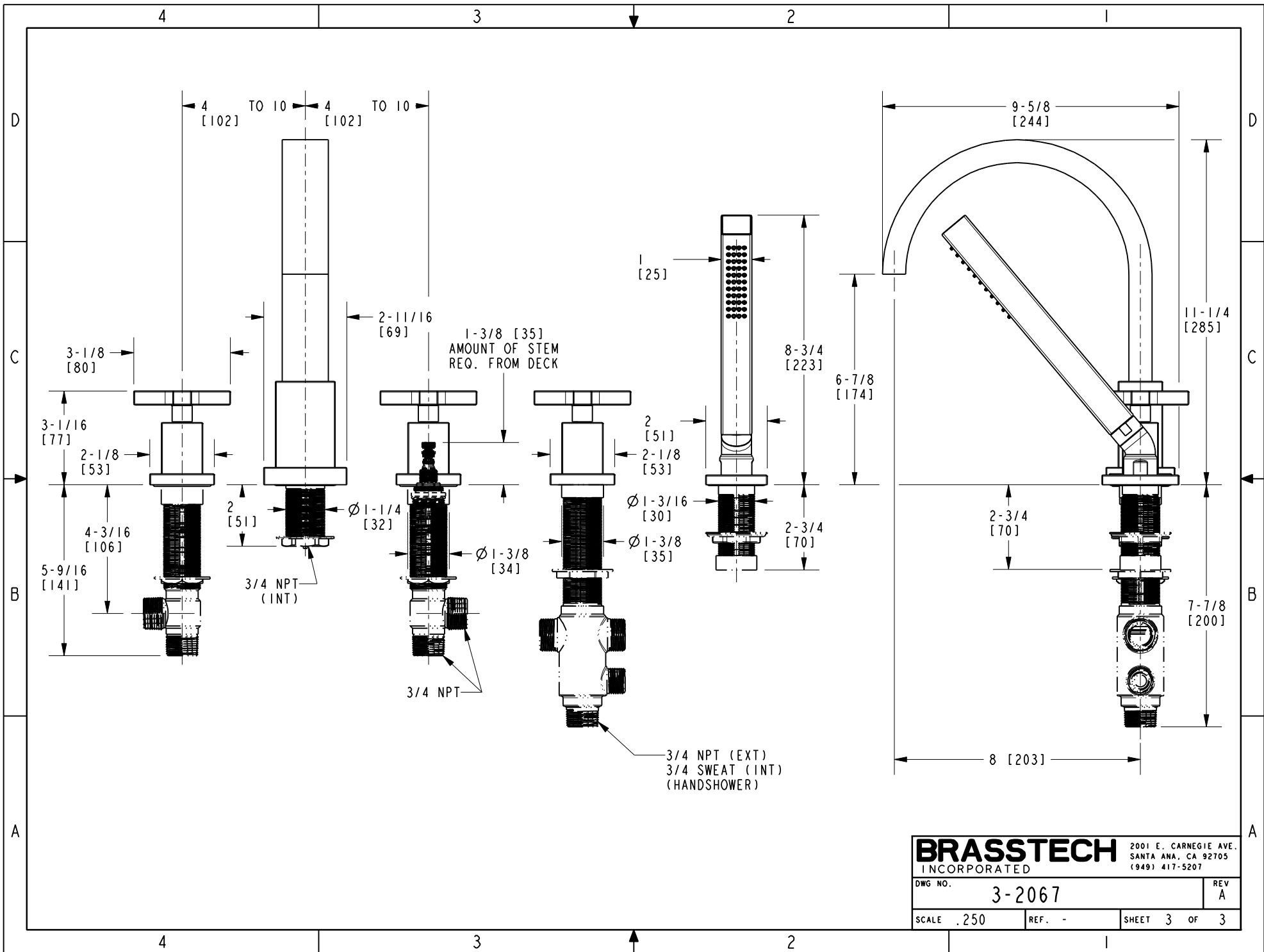
3

2

1



BRASSTECH		2001 E. CARNEGIE AVE.	
INCORPORATED		SANTA ANA, CA 92705	
DWG NO. 3-2067		REV A	
SCALE .250	REF. -	SHEET 2 OF 3	



BRASSTECH 2001 E. CARNEGIE AVE.
 INCORPORATED SANTA ANA, CA 92705
 (949) 417-5207

DWG NO.	3-2067	REV	A
SCALE	.250	REF.	-
SHEET	3	OF	3