

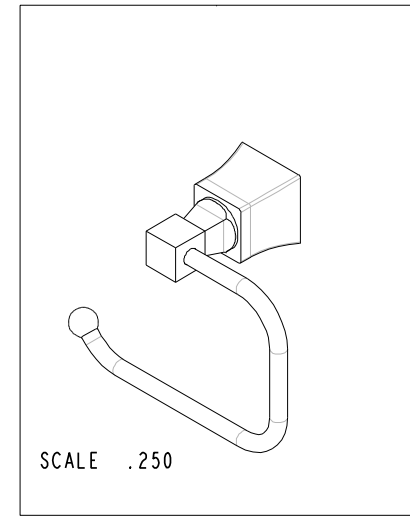
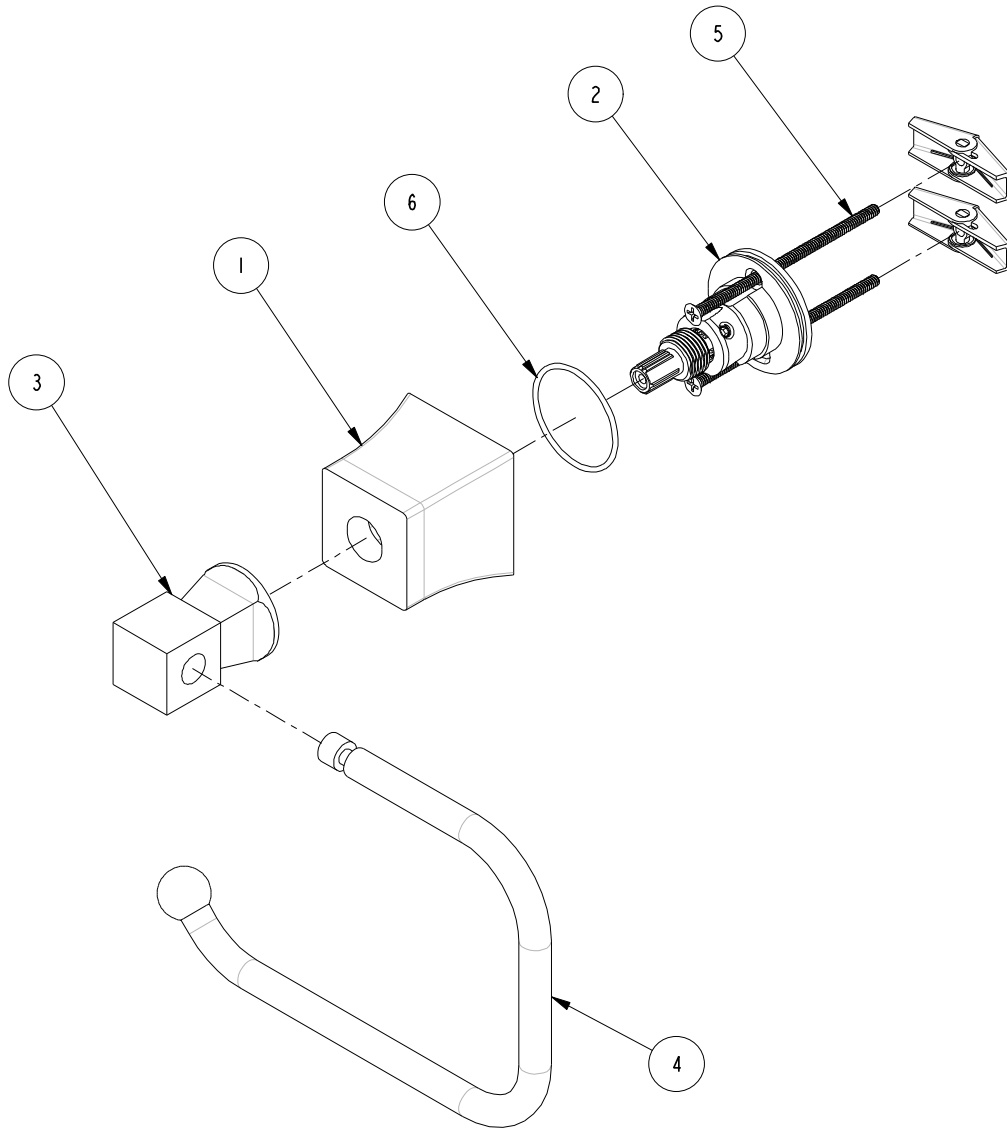
4

3

2

**BILL OF MATERIAL (CURRENT LEVEL)**

ITEM	PT/ASSY	DESCRIPTION	TYPE	QTY.
1	10996	ESCUTCHEON TAPERED SQ	PART	1
2	1-212	ACCESSORY MTG KIT	ASSEMBLY	1
3	7-628	POST ASM OPEN TWL/TIS HLDR	ASSEMBLY	1
4	2-304	ROLLER ASM-TISSUE	ASSEMBLY	1
5	1-125	HARDWARE KIT	ASSEMBLY	1
6	91126	O-RING #2-026	PART	1



SCALE .250

COPYRIGHT 2005 BRASSTECH, INC. THESE DRAWINGS AND THE DESIGNS DEPICTED HEREIN ARE THE PROPRIETARY PROPERTY OF BRASSTECH. ANY USE OR REPRODUCTION IS SUBJECT TO THE EXPRESS APPROVAL OF BRASSTECH. UNAUTHORIZED USE IS STRICTLY PROHIBITED. ALL RIGHTS RESERVED.

**BRASSTECH**  
 INCORPORATED  
 2001 E. CARNEGIE AVE.  
 SANTA ANA, CA 92705  
 (949) 417-5207

OPEN TOWEL/TISSUE HOLDER NC3

ASSY. NO.

26-27

SCALE .450

REF. -

SHEET 1 OF 2

E	EN-1241	12/10/09
D	ECN-1161	12/09/08
C	EO-0665	03/28/06
REV	REV DESC	DATE

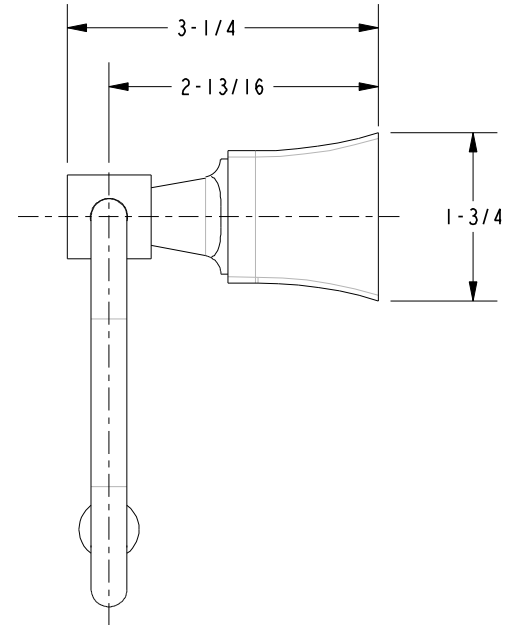
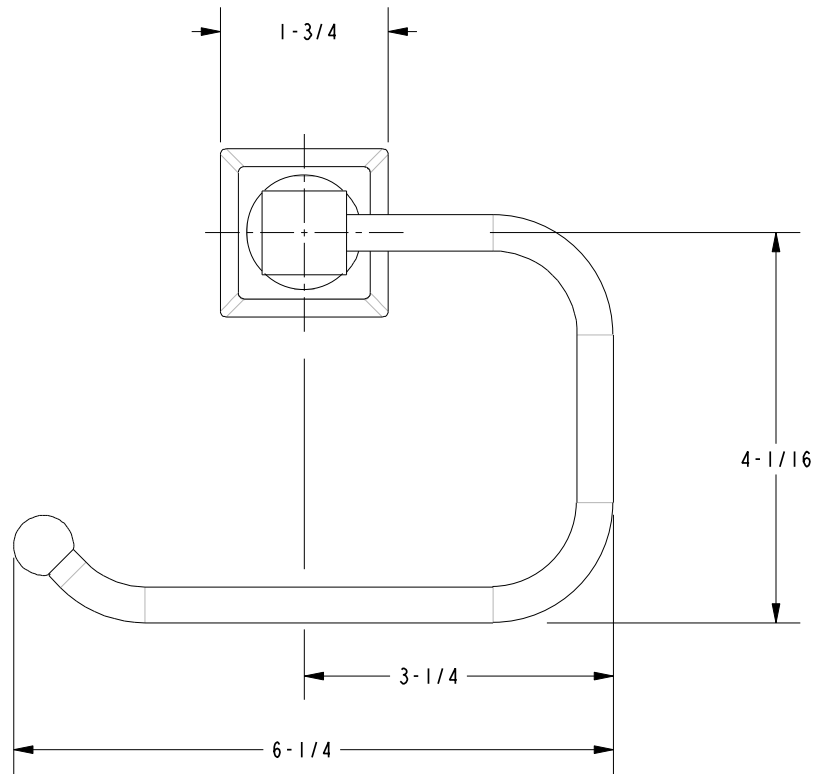
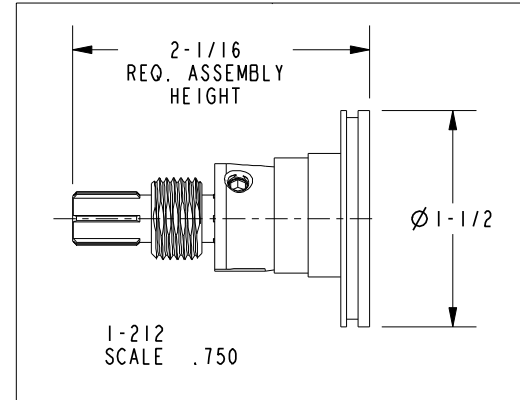
4

3

2

1

**SPECIFICATION DWG**



DIMENSIONS ARE IN INCHES AND AN APPROXIMATION OF A TYPICAL INSTALLATION

COPYRIGHT 2005 BRASSTECH, INC. THESE DRAWINGS AND THE DESIGNS DEPICTED HEREIN ARE THE PROPRIETARY PROPERTY OF BRASSTECH. ANY USE OR REPRODUCTION IS SUBJECT TO THE EXPRESS APPROVAL OF BRASSTECH. UNAUTHORIZED USE IS STRICTLY PROHIBITED. ALL RIGHTS RESERVED.

<b>BRASSTECH</b>		2001 E. CARNEGIE AVE.	
INCORPORATED		SANTA ANA, CA 92705	
		(949) 417-5207	
DWG NO.	26-27	REV	E
SCALE	1.000	REF.	-
		SHEET	2 OF 2