

4

3

2

1

D

D

C

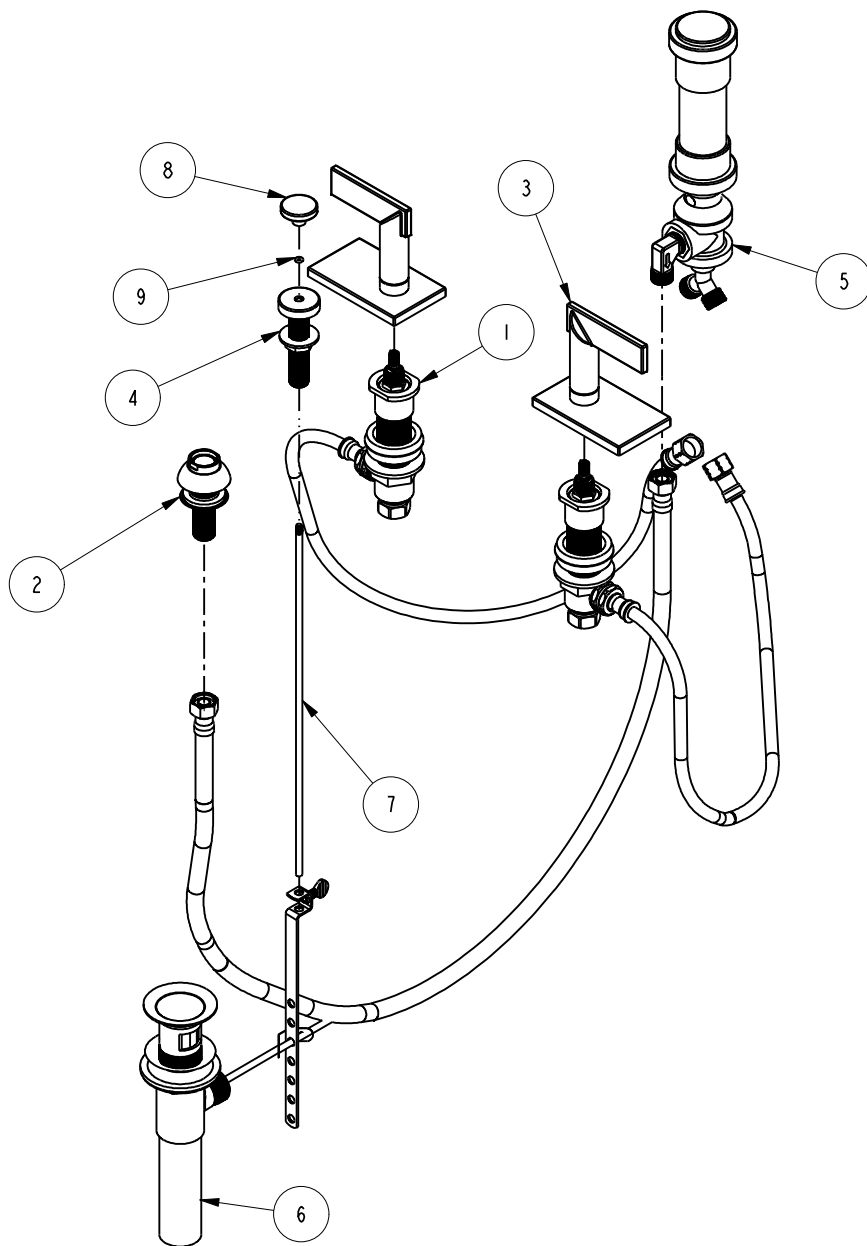
C

B

B

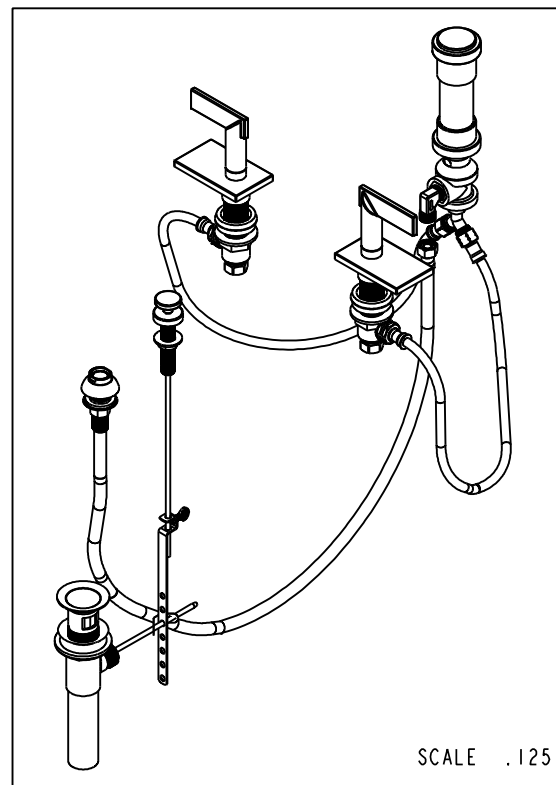
A

A



### BILL OF MATERIAL (CURRENT LEVEL)

ITEM	PT/ASSY	DESCRIPTION	TYPE	QTY.
1	1-573	VALVE KIT - BIDET	ASSEMBLY	1
2	2-236	DOUCHE SPRAY ASSEMBLY	ASSEMBLY	1
3	3-425	DIVERTER/FLOW CONTROL LEVER HANDLE	ASSEMBLY	2
4	8-038	POP-UP GUIDE ASM	ASSEMBLY	1
5	8-039	BIDET VACUUM BREAKER DIVERTER ASM	ASSEMBLY	1
6	325	POP UP ASSEMBLY	ASSEMBLY	1
7	10288	3/16" POP UP ROD	PART	1
8	80080	POP UP KNOB, ROUND	PART	1
9	91100	O-RING #2-006	PART	1



COPYRIGHT 2005 BRASSTECH, INC. THESE DRAWINGS AND THE DESIGNS DEPICTED HEREIN ARE THE PROPRIETARY PROPERTY OF BRASSTECH. ANY USE OR REPRODUCTION IS SUBJECT TO THE EXPRESS APPROVAL OF BRASSTECH. UNAUTHORIZED USE IS STRICTLY PROHIBITED. ALL RIGHTS RESERVED.

**BRASSTECH**  
INCORPORATED

2001 E. CARNEGIE AVE.  
SANTA ANA, CA 92705  
(949) 417-5207

BIDET SET

ASSY. NO.

2549

SCALE .175

REF. -

SHEET 1 OF 3

REV

REV DESC

DATE

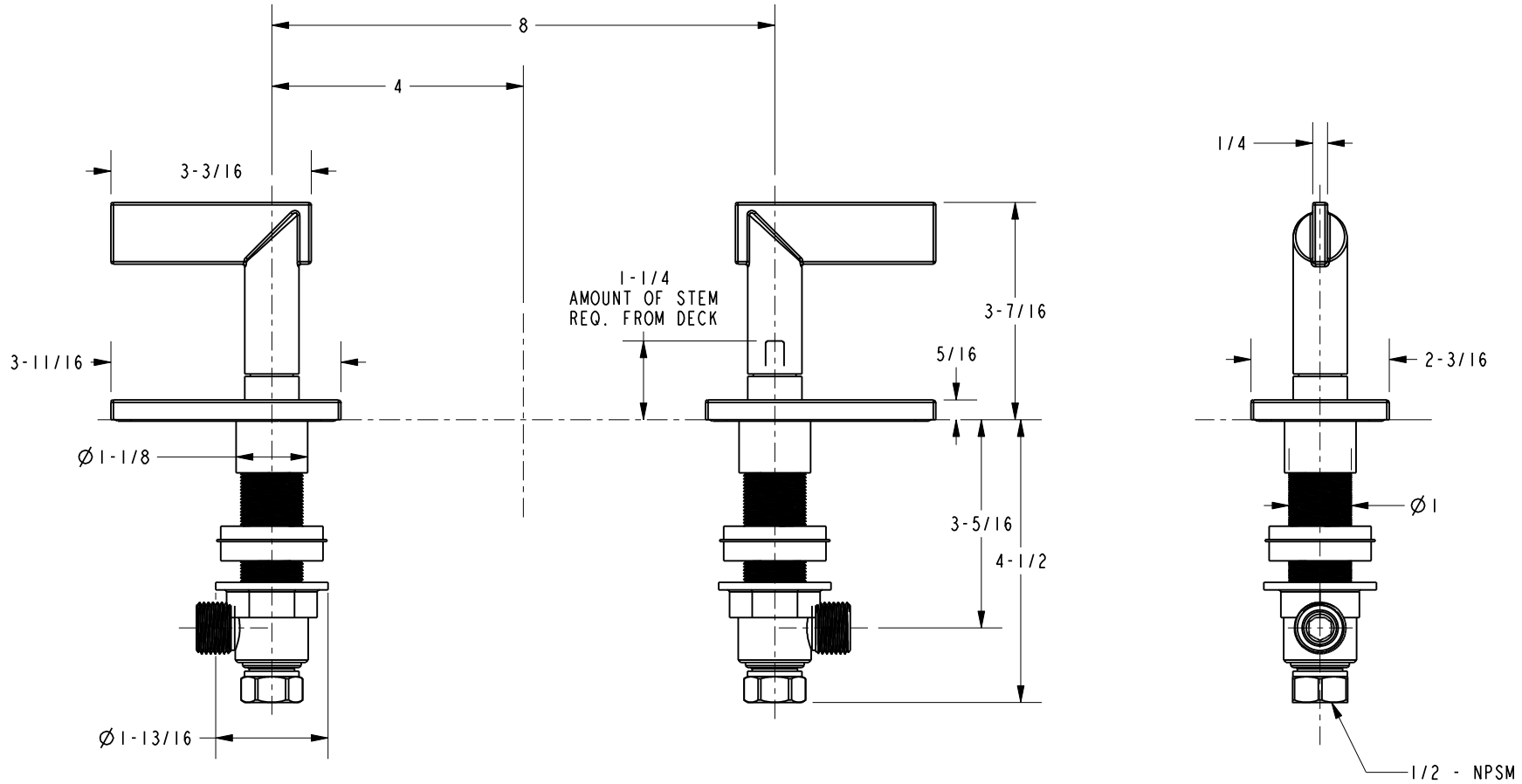
4

3

2

1

**SPECIFICATION DWG**

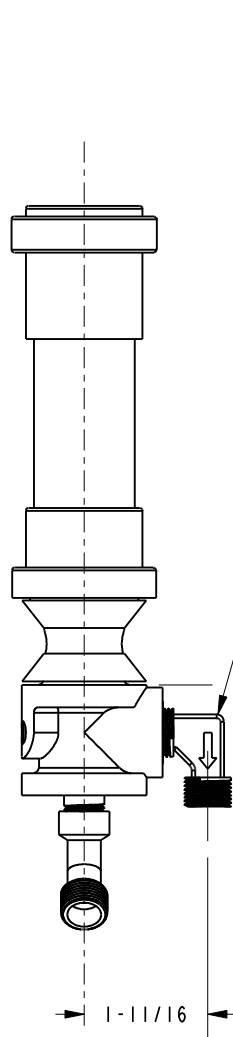


DIMENSIONS ARE IN INCHES AND AN APPROXIMATION OF A TYPICAL INSTALLATION

COPYRIGHT 2005 BRASSTECH, INC. THESE DRAWINGS AND THE DESIGNS DEPICTED HEREIN ARE THE PROPRIETARY PROPERTY OF BRASSTECH. ANY USE OR REPRODUCTION IS SUBJECT TO THE EXPRESS APPROVAL OF BRASSTECH. UNAUTHORIZED USE IS STRICTLY PROHIBITED. ALL RIGHTS RESERVED.

<b>BRASSTECH</b>		2001 E. CARNEGIE AVE. SANTA ANA, CA 92705 (949) 417-5207	
DWG NO.	<b>2549</b>	REV	-
SCALE	.375	REF.	-
		SHEET	2 OF 3

SPECIFICATION DWG

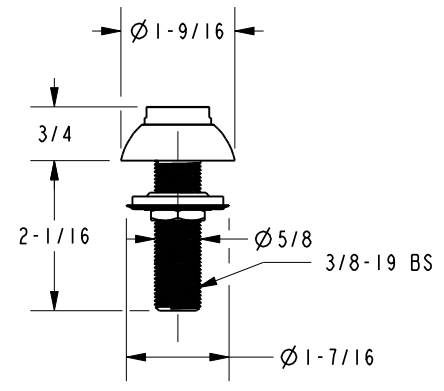
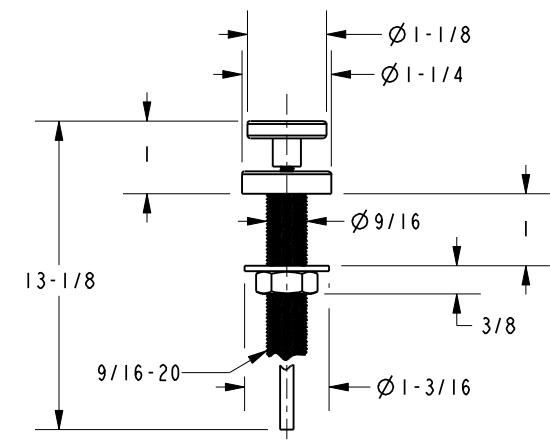
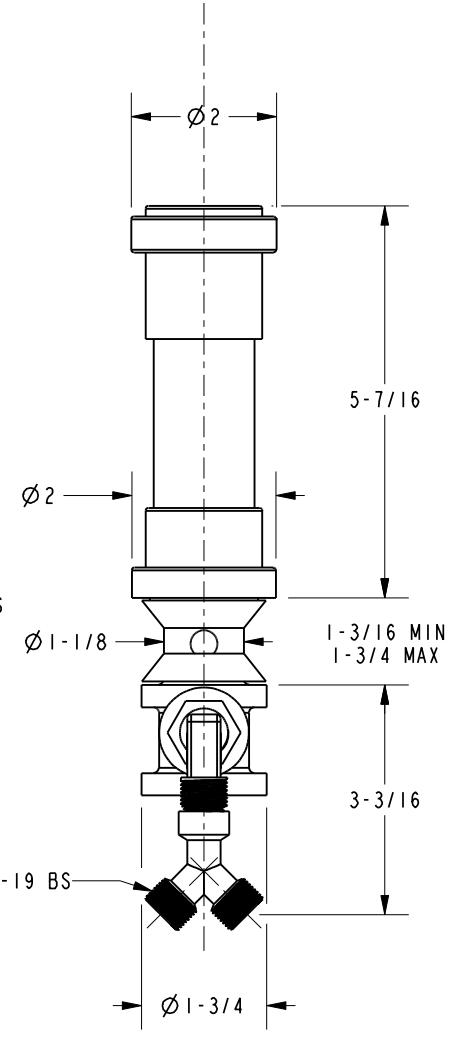


ELBOW  
3/8-19 BS  
X 3/8

1-11/16

2X 3/8-19 BS

1-11/16



DIMENSIONS ARE IN INCHES AND AN APPROXIMATION OF A TYPICAL INSTALLATION

COPYRIGHT 2005 BRASSTECH, INC. THESE DRAWINGS AND THE DESIGNS DEPICTED HEREIN ARE THE PROPRIETARY PROPERTY OF BRASSTECH. ANY USE OR REPRODUCTION IS SUBJECT TO THE EXPRESS APPROVAL OF BRASSTECH. UNAUTHORIZED USE IS STRICTLY PROHIBITED. ALL RIGHTS RESERVED.

<b>BRASSTECH</b>		2001 E. CARNEGIE AVE. SANTA ANA, CA 92705 (949) 417-5207	
DWG NO.	2549	REF.	-
SCALE	.375	SHEET	3 OF 3