

Features

- Brass and ABS Plastic
- Brass Single hole face plate
- Brass Toe -Activated Tub Drain
- ABS Plastic parts for a maximum make-up distance of 22" can be cut for a lesser height.

Tub & Shower Waste & Overflow

255



Codes / Standards Compliance

Meets or exceeds the following at date of manufacture:

- ASME A112.18.2/CSA B125.2
- IAMPO/cUPC
- IPC
- All applicable US Federal and State material regulations

Colors / Finishes

- 10B: Oil Rubbed Bronze
- 15: Polished Nickel
- 15S: Satin Nickel - PVD
- 26: Polished Chrome
- Other: Refer to the Newport Brass catalog for additional color/finish options.



Specified Model

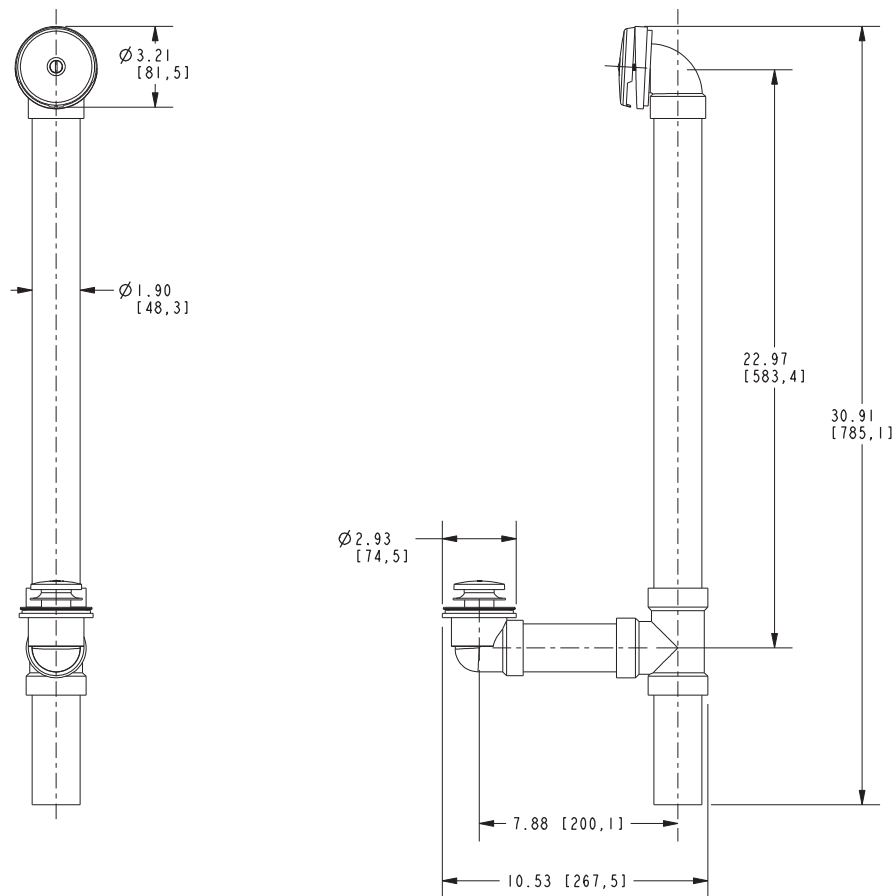
Model	Description	Colors Finishes
255	Tub & Shower Waste & Overflow	<input type="checkbox"/> 10B <input type="checkbox"/> 15 <input type="checkbox"/> 15S <input type="checkbox"/> 26 <input type="checkbox"/> Other

Product Specification Add "Color / Finish" suffix to Model number, below.

Toe-activated waste with overflow shall be of solid brass and ABS construction. Shall include a brass single hole face plate. Shall include a brass toe -activated tub drain Maximum make-up distance of 22" can be cut for a lesser height. Toe-activated waste with overflow shall be Newport Brass Model 255/____.

255

Product Dimensions are provided for reference only. For specific product installation guidelines, please reference the Installation Instructions of the product being installed.



Brasstech Tub & Shower Waste & Overflow 255