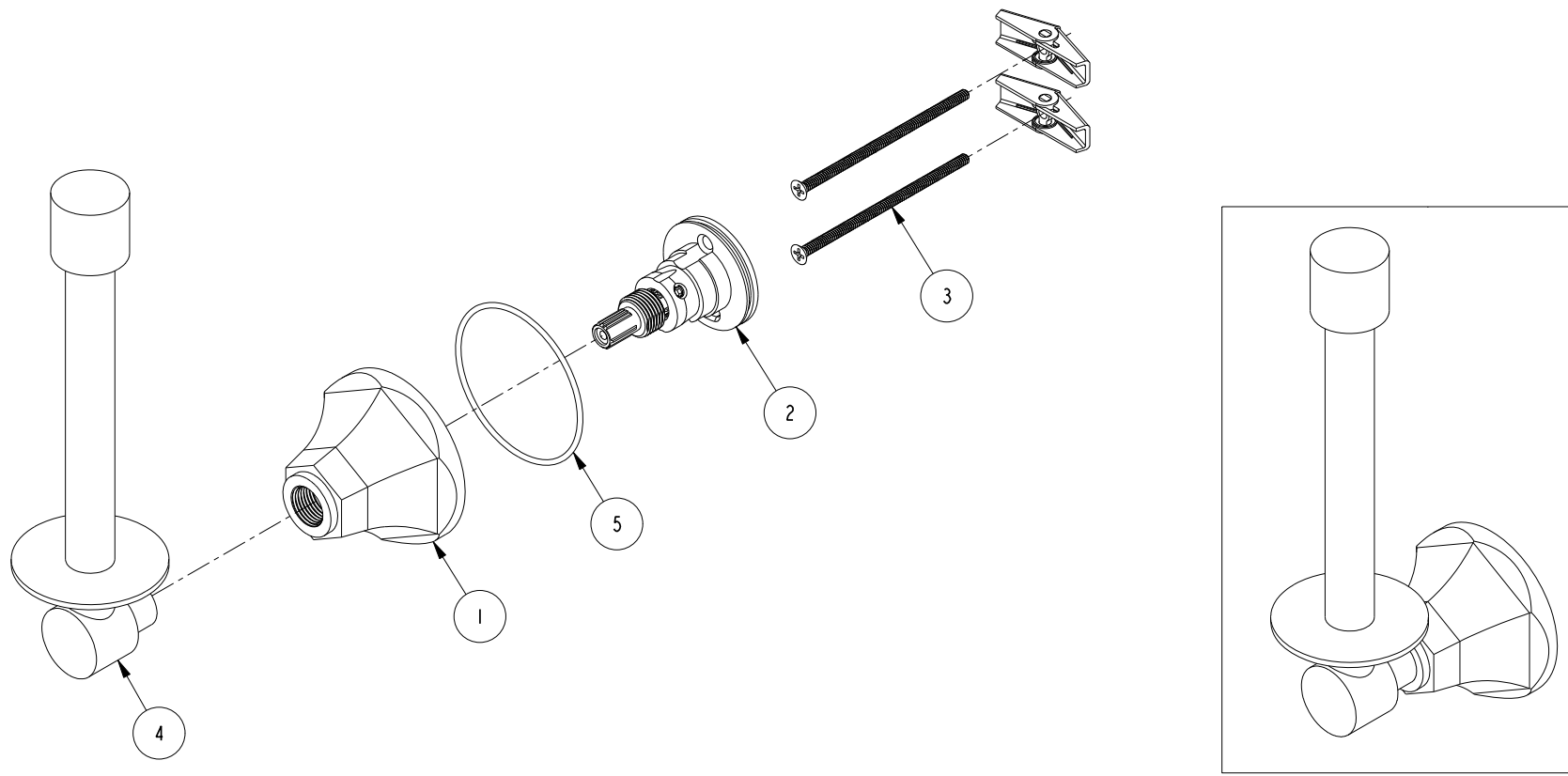


BILL OF MATERIAL (CURRENT LEVEL)				
ITEM	PT/ASSY	DESCRIPTION	TYPE	QTY.
1	10960	HEX ESCUTCHEON	PART	1
2	1-212	ACCESSORY MTG KIT	ASSEMBLY	1
3	1-125	HARDWARE KIT	ASSEMBLY	1
4	7-635	POST ASM RSV TIS HLDR	ASSEMBLY	1
5	91386	O-RING, #2-034, EPDM, 65-75 DURO	PART	1



COPYRIGHT 2005 BRASSTECH, INC. THESE DRAWINGS AND THE DESIGNS DEPICTED HEREIN ARE THE PROPRIETARY PROPERTY OF BRASSTECH. ANY USE OR REPRODUCTION IS SUBJECT TO THE EXPRESS APPROVAL OF BRASSTECH. UNAUTHORIZED USE IS STRICTLY PROHIBITED. ALL RIGHTS RESERVED.

BRASSTECH
INCORPORATED

2001 E. CARNEGIE AVE.
SANTA ANA, CA 92705
(949) 417-5207

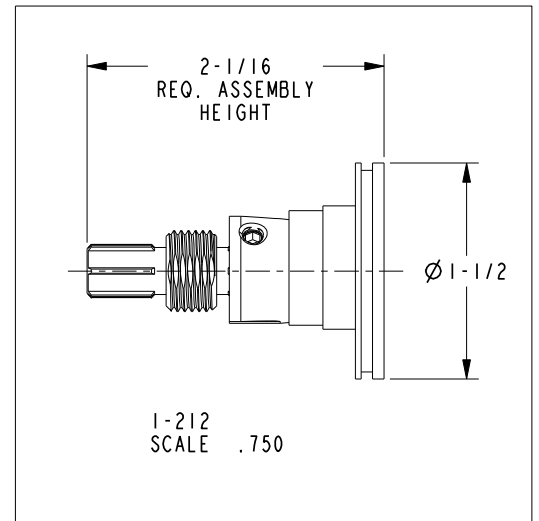
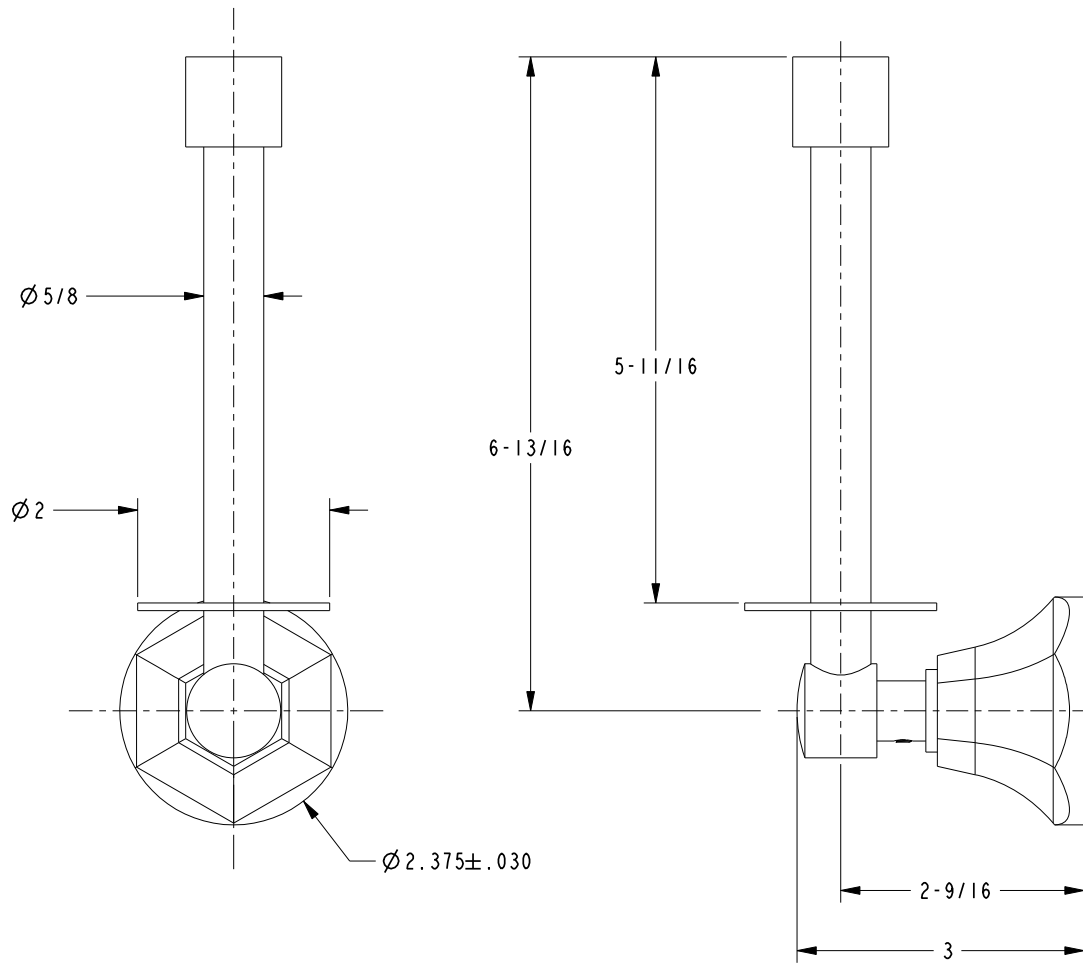
RESERVE TISSUE HOLDER NTI

ASSY. NO. 24-30

SCALE .438 REF. - SHEET 1 OF 2

C	EN-2266a	04/15/13
B	EN-1241	12/09/09
A	EO-0404	08/25/04
-	RELEASED	09/02/03
REV	REV DESC	DATE

SPECIFICATION DWG



DIMENSIONS ARE IN INCHES AND AN APPROXIMATION OF A TYPICAL INSTALLATION

COPYRIGHT 2005 BRASSTECH, INC. THESE DRAWINGS AND THE DESIGNS DEPICTED HEREIN ARE THE PROPRIETARY PROPERTY OF BRASSTECH. ANY USE OR REPRODUCTION IS SUBJECT TO THE EXPRESS APPROVAL OF BRASSTECH. UNAUTHORIZED USE IS STRICTLY PROHIBITED. ALL RIGHTS RESERVED.

BRASSTECH		2001 CARNEGIE AVE. SANTA ANA, CA 92705 (949) 417-5207	
DWG NO.	24-30	REV	C
SCALE	1.000	REF.	-
SHEET		2	OF 2