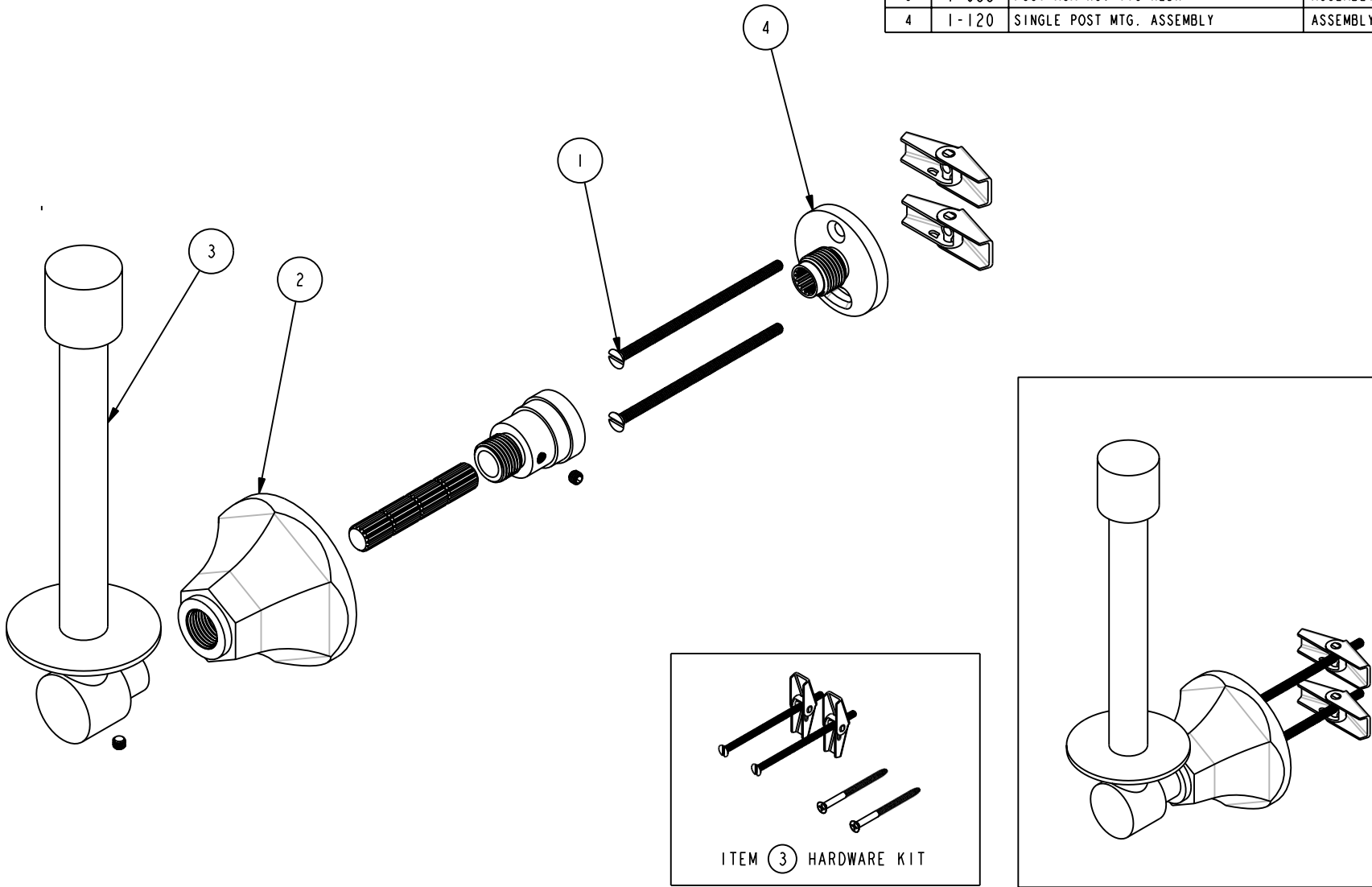


| BILL OF MATERIAL (CURRENT LEVEL) | | | | |
|----------------------------------|---------|---------------------------|----------|------|
| ITEM | PT/ASSY | DESCRIPTION | TYPE | QTY. |
| 1 | 1-125 | HARDWARE KIT | ASSEMBLY | 1 |
| 2 | 10960 | HEX ESCUTCHEON | PART | 1 |
| 3 | 7-635 | POST ASM RSV TIS HLDR | ASSEMBLY | 1 |
| 4 | 1-120 | SINGLE POST MTG. ASSEMBLY | ASSEMBLY | 1 |



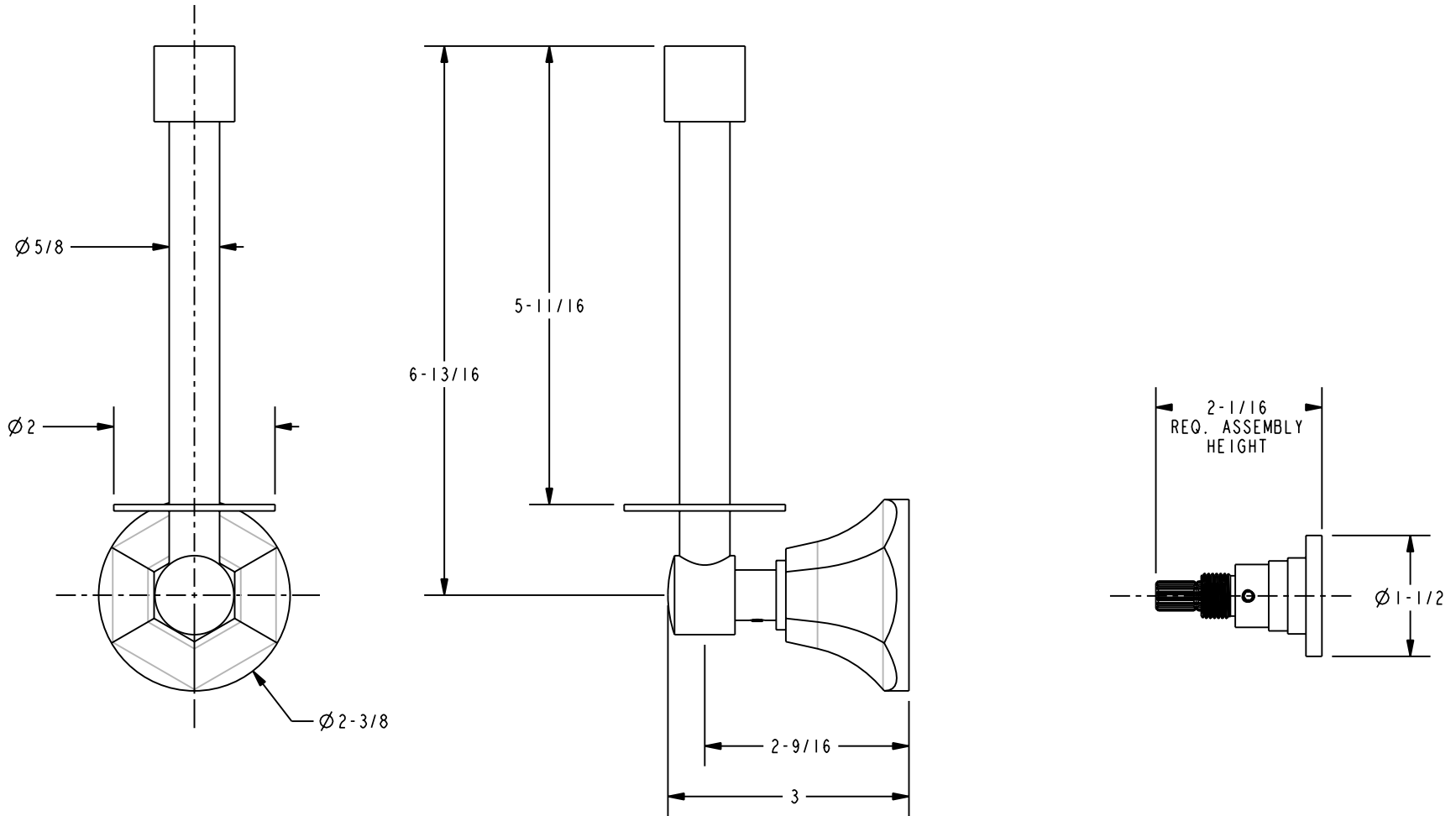
COPYRIGHT 2003 BRASSTECH, INC. THESE DRAWINGS AND THE DESIGNS DEPICTED HEREIN ARE THE PROPRIETARY PROPERTY OF BRASSTECH. ANY USE OR REPRODUCTION IS SUBJECT TO THE EXPRESS APPROVAL OF BRASSTECH. UNAUTHORIZED USE IS STRICTLY PROHIBITED. ALL RIGHTS RESERVED.

BRASSTECH
INCORPORATED
2001 E. CARNEGIE AVE.
SANTA ANA, CA 92705
(949) 417-5207

RESERVE TISSUE HOLDER NTI

| | | | | | |
|------------|--------|--------------|-----|----------|----------|
| ASSY. NO. | 24-30 | | A | EO-0404 | 08/25/04 |
| SCALE .500 | REF. - | SHEET 1 OF 2 | - | RELEASED | 09/02/03 |
| | | | REV | REV DESC | DATE |

SPECIFICATION DWG



DIMENSIONS ARE IN INCHES AND AN APPROXIMATION OF A TYPICAL INSTALLATION

COPYRIGHT 2004 BRASSTECH, INC. THESE DRAWINGS AND THE DESIGNS DEPICTED HEREIN ARE THE PROPRIETARY PROPERTY OF BRASSTECH. ANY USE OR REPRODUCTION IS SUBJECT TO THE EXPRESS APPROVAL OF BRASSTECH. UNAUTHORIZED USE IS STRICTLY PROHIBITED. ALL RIGHTS RESERVED.

| | | | |
|------------------|--------------|-----------------------|----------|
| BRASSTECH | | 2001 E. CARNEGIE AVE. | |
| INCORPORATED | | SANTA ANA, CA 92705 | |
| | | (949) 417-5207 | |
| DWG NO. | 24-30 | REV | A |
| SCALE | 1.000 | REF. | - |
| | | SHEET | 2 OF 2 |