

NEWPORT BATH

Thermo Rough Valve

1-744



Features

- Solid brass construction
- 3 way diverter configuration
- Single port flow function with complete shut-off between unused ports
- Provides anti-scald protection and temperature regulation
- High-temperature safety stop ensures water temperature maximum is 100° F (37.7 C)°
- Built in check valves with service stops
- 1/2" NPT female thread (inlet and outlet) valve body
- Requires Newport Brass LuxTherm® Trim (many options available, sold-separately)

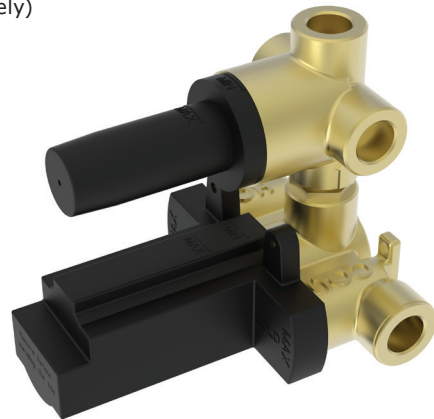
Codes / Standards Compliance

Meets or exceeds the following at date of manufacture:

- ASME A112.18.1/CSA B125.1
- IAMPO/cUPC
- IPC
- California Energy Commission
- ASSE 1016
- All applicable US Federal and State material regulations

Colors / Finishes

- 10B: Oil Rubbed Bronze
- 15: Polished Nickel
- 15S: Satin Nickel - PVD
- 26: Polished Chrome
- Other: Refer to the Newport Brass catalog for additional color/finish options.



Specified Model

Model	Description	Colors Finishes
1-744	1/2" Thermostat Valve For Shower Installations	<input type="checkbox"/> NA

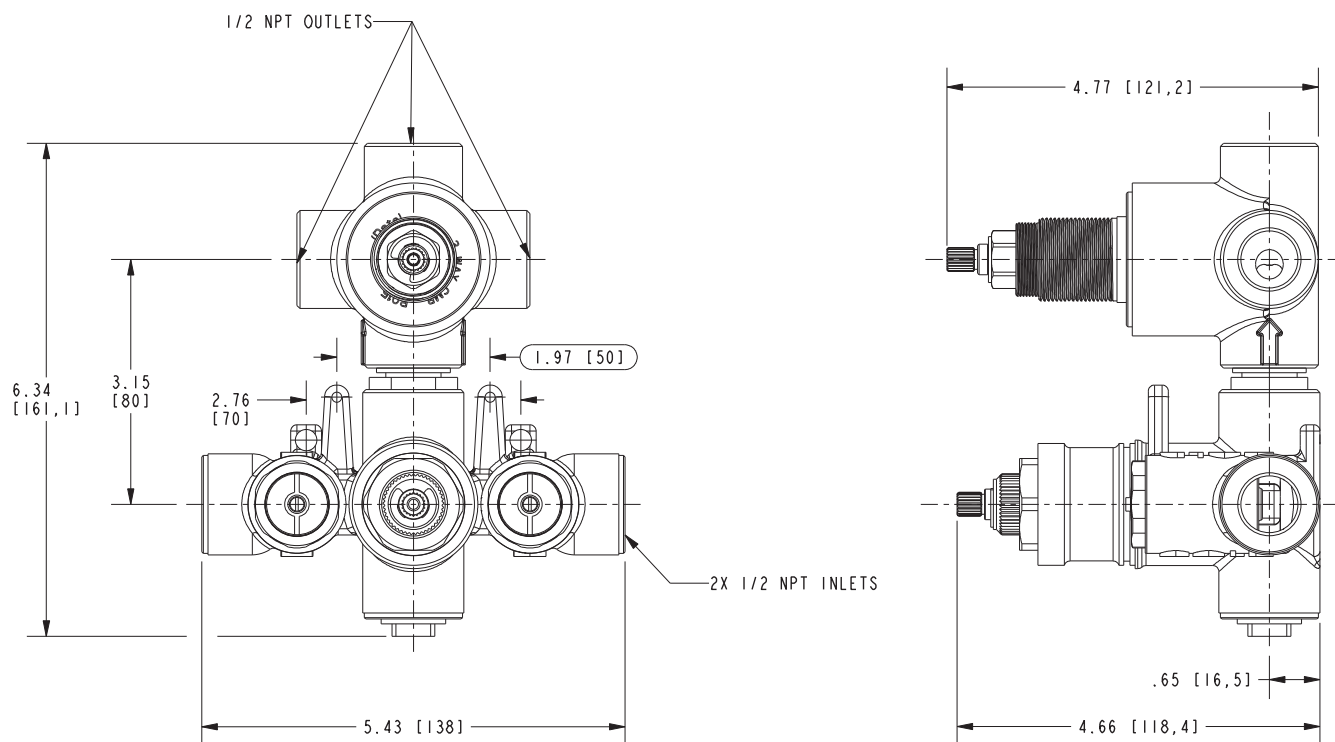
Product Specification:

Add "Color / Finish" suffix to Model number, below.

The Thermostat Valve for shower installations shall be made of solid brass construction. Valve shall provide anti-scald protection ensuring water temperature maximum is 100° F (37.7 C)°. Valve inlets shall include integral stops and incorporate 1/2" NPT female thread for inlets and outlet. Valve shall incorporate mounting tabs along the back surface. Thermostat Valve for shower installations shall be Newport Brass Model 1-744.

1-744

Product Dimensions are provided for reference only. For specific product installation guidelines, please reference the Installation Instructions of the product being installed.



Newport Thermo Rough Valve 1-744