

4

3

2

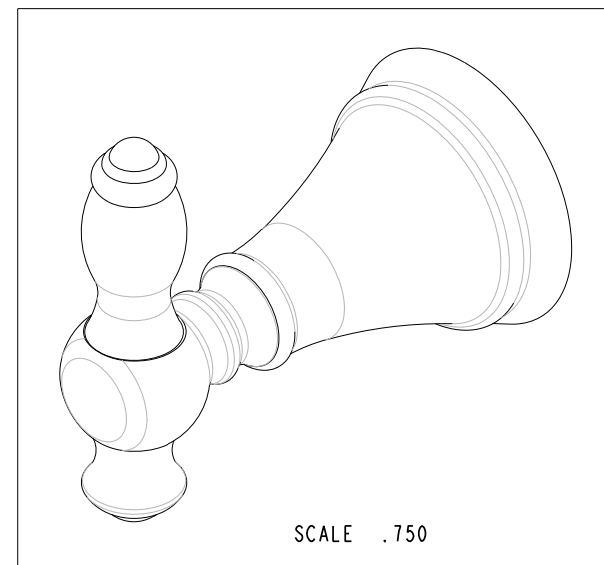
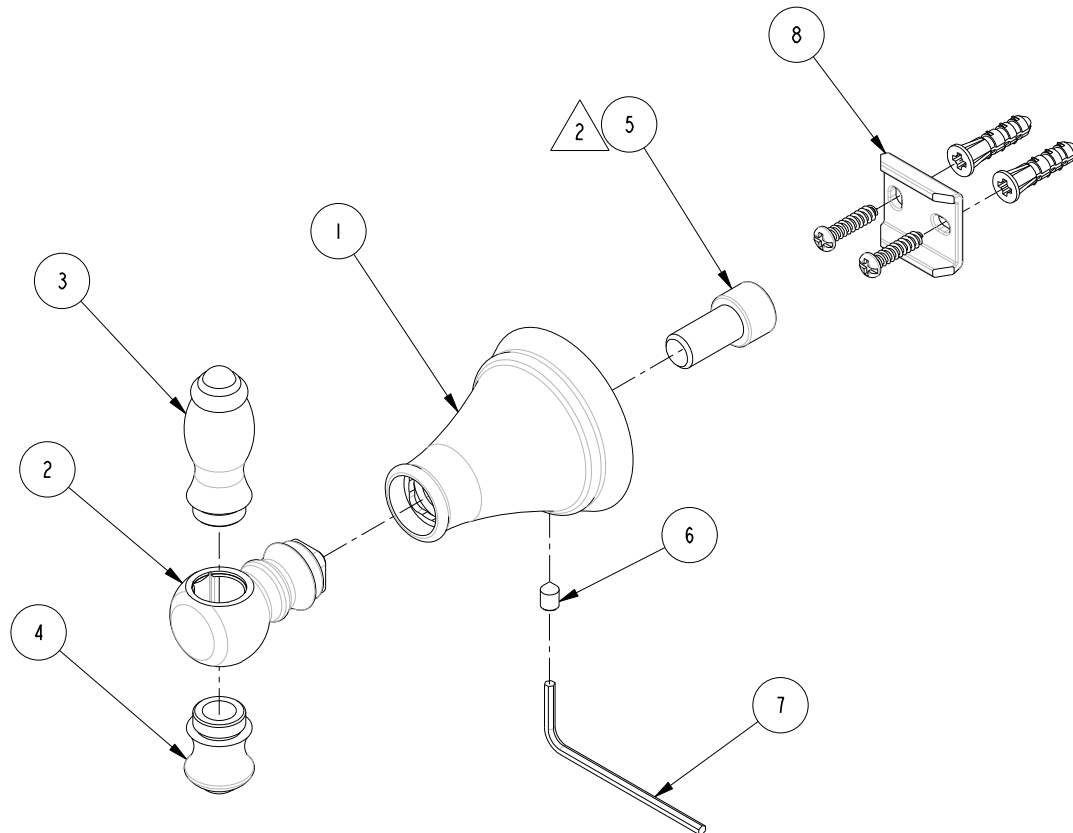
NOTES:

(N1) 1. FIT / FORM / FUNCTION SHALL FOLLOW PS-E.008.

(N2) 2. APPLY 242 LOCTITE.

BILL OF MATERIAL (CURRENT LEVEL)

ITEM	PT/ASSY	DESCRIPTION	TYPE	QTY.
1	NC1P-031_5	ESCUTCHEON	PART	1
2	CCDZ0010	BASE	PART	1
3	CCEB0026	HOLDER	PART	1
4	CCOB0015	TIP	PART	1
5	CTST4201	SCREW	PART	1
6	CTST0224	SET SCREW	PART	1
7	CCOT0002	HEX KEY	PART	1
8	I-362	MOUNTING KIT	ASSEMBLY	1



TESTING	-	-	-
ASSEMBLY	-	-	-
PLATING	-	-	-
POLISHING	-	NEXT ASSY	USED ON
MACHINING	-	APPLICATION	
TOOLING FIXTURE #	REMOVE ALL BURRS AND SHARP EDGES		

UNITS ARE: INCHES [MM]
 TOLERANCES ARE:
 FRACTIONS DECIMALS ANGLES
 $\pm 1/16"$.X $\pm .1$ [2.5] $\pm 1^\circ$
 .XX $\pm .06$ [1.5]
 (X.XXX) DENOTES CRITICAL DIMS.
 ALL THREADS ARE CRITICAL

BRASSTECH 2001 CARNEGIE AVE.
 INCORPORATED SANTA ANA, CA 92705
 (949) 417-5207

SINGLE ROBE HOOK

-	A	EN-3179	10/30/16	V. V.
-	-	EN-2741	08/27/14	-
ZONE	REV	DESCRIPTION	DATE	APPROVED

COPYRIGHT 2005 BRASSTECH, INC.
 THESE DRAWINGS AND THE DESIGNS
 DEPICTED HERE IN ARE THE PROPRIETARY
 PROPERTY OF BRASSTECH. ANY USE
 OR REPRODUCTION IS SUBJECT TO
 THE EXPRESS APPROVAL OF BRASSTECH.
 UNAUTHORIZED USE IS STRICTLY
 PROHIBITED. ALL RIGHTS RESERVED.

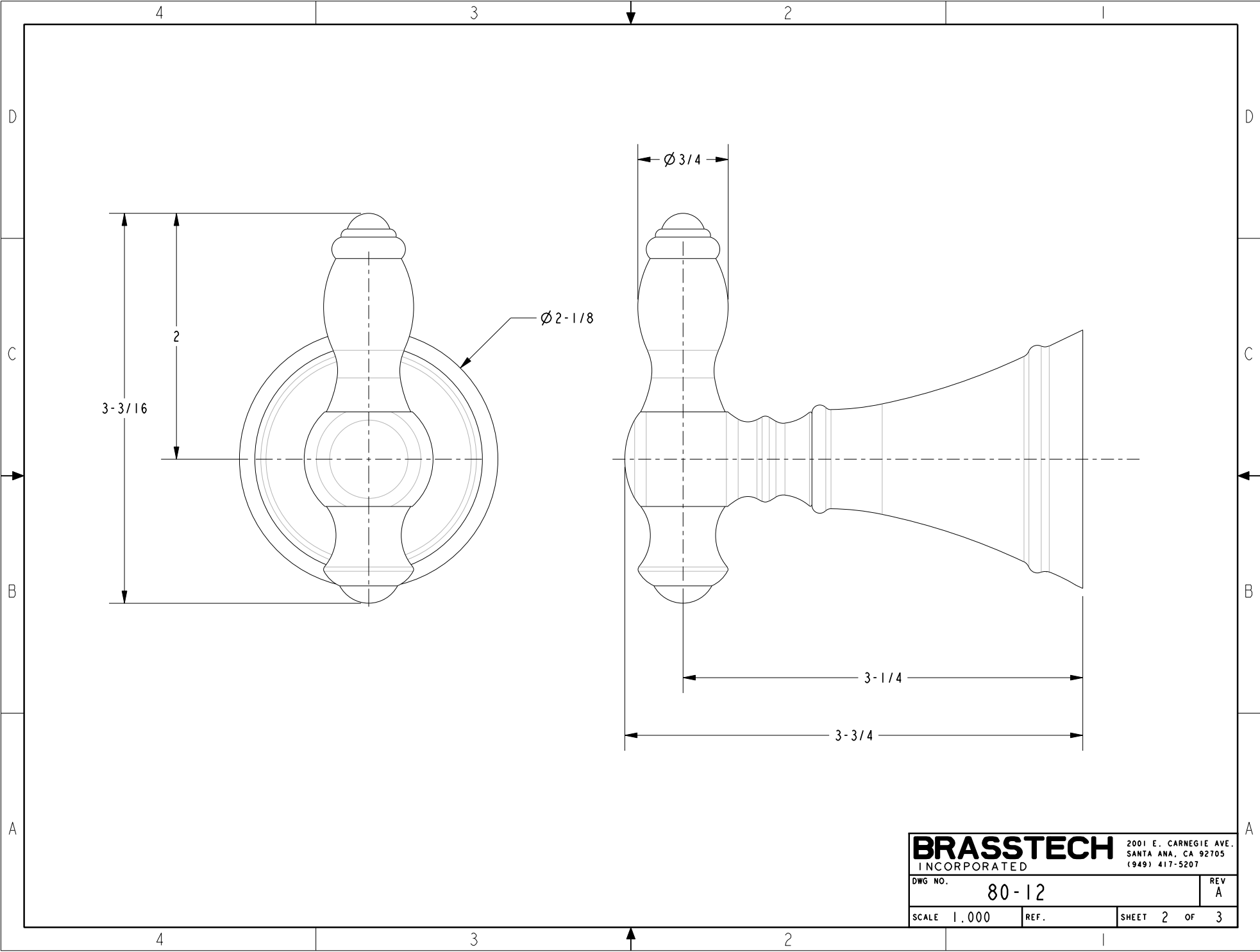
DRAWN VINAY 09/24/16
 CHECKED RAVINDRA 09/24/16
 APPROVED V. VU 09/24/16

DWG NO. 80-12 REV A
 SCALE .500 REF. SHEET 1 OF 3

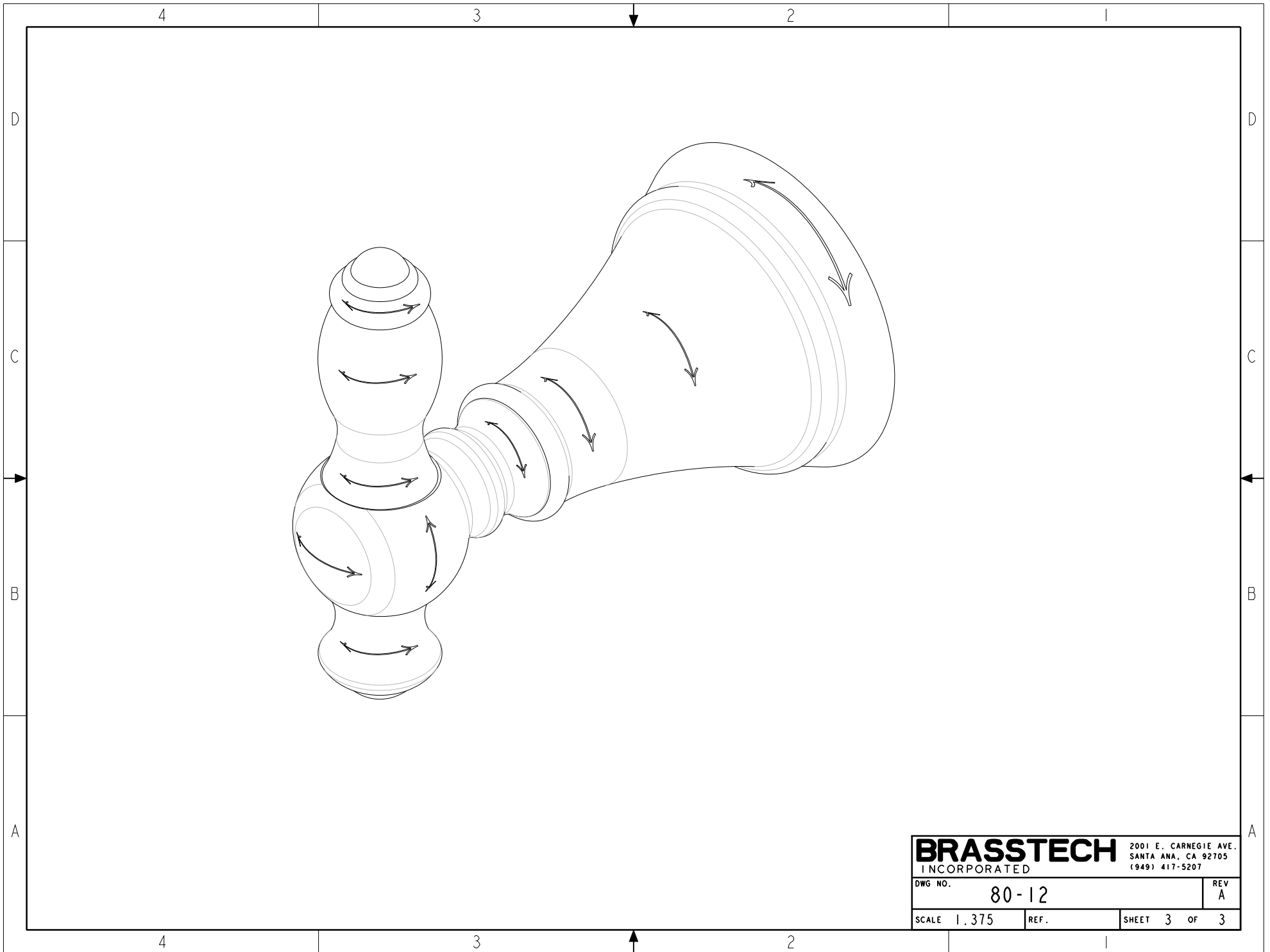
4

3

2



BRASSTECH		2001 E. CARNEGIE AVE.	
INCORPORATED		SANTA ANA, CA 92705	
		(949) 417-5207	
DWG NO.	80-12	REV	A
SCALE	1.000	REF.	SHEET 2 OF 3



BRASSTECH		2001 E. CARNEGIE AVE.	
INCORPORATED		SANTA ANA, CA 92705	
		(949) 417-5207	
DWG NO.	80-12	REV	A
SCALE	1.375	REF.	SHEET 3 OF 3