

4

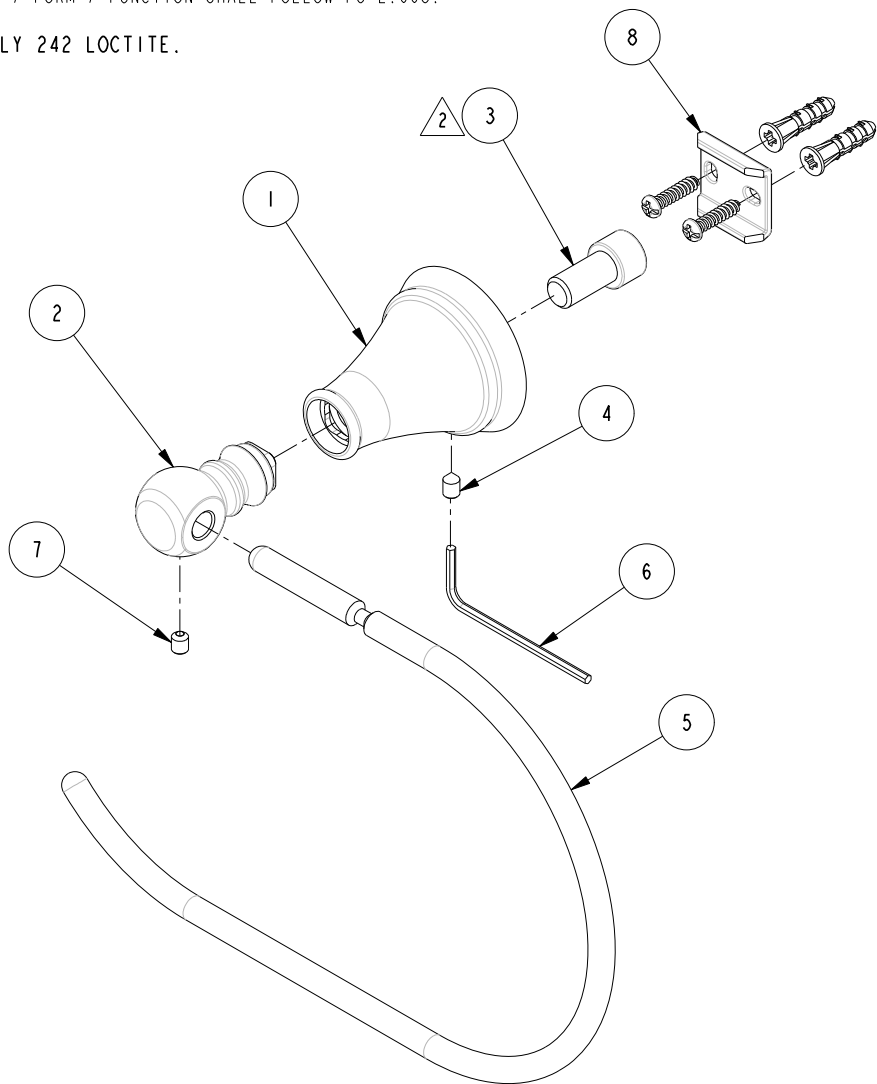
3

2

NOTES:

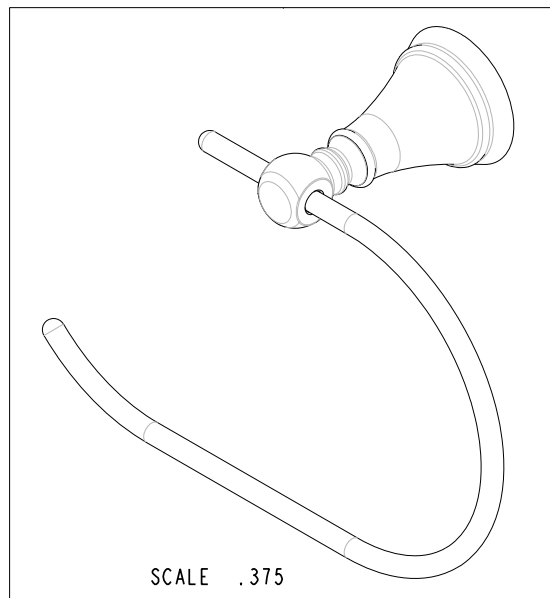
(N1) 1. FIT / FORM / FUNCTION SHALL FOLLOW PS-E.008.

(N2) 2. APPLY 242 LOCTITE.



BILL OF MATERIAL (CURRENT LEVEL)

ITEM	PT/ASSY	DESCRIPTION	TYPE	QTY.
1	NC1P-031_5	ESCUTCHEON	PART	1
2	CCDZ0008	POST	PART	1
3	CTST4201	SCREW	PART	1
4	CTST0224	SET SCREW	PART	1
5	CCRB0015	RING	PART	1
6	CCOT0002	HEX KEY	PART	1
7	CTST0117	SET SCREW	PART	1
8	1-362	MOUNTING KIT	ASSEMBLY	1



TESTING	-	-	-
ASSEMBLY	-	-	-
PLATING	-	-	-
POLISHING	-	NEXT ASSY	USED ON
MACHINING	-	APPLICATION	
TOOLING	FIXTURE #	REMOVE ALL BURRS AND SHARP EDGES	

UNITS ARE: INCHES [MM]  
 TOLERANCES ARE:  
 FRACTIONS DECIMALS ANGLES  
 $\pm 1/16"$  .X  $\pm .1$  [2.5]  $\pm 1^\circ$   
 .XX  $\pm .06$  [1.5]  
 (X.XXX) DENOTES CRITICAL DIMS.  
 ALL THREADS ARE CRITICAL  
 DRAWN VINAY 09/24/16  
 CHECKED RAVINDRA 09/24/16  
 APPROVED V. VU 09/24/16

**BRASSTECH** 2001 CARNEGIE AVE.  
 INCORPORATED SANTA ANA, CA 92705  
 (949) 417-5207

TOWEL RING

-	A	EN-3179	10/31/16	V. V.
-	-	EN-2741	08/27/14	-
ZONE	REV	DESCRIPTION	DATE	APPROVED

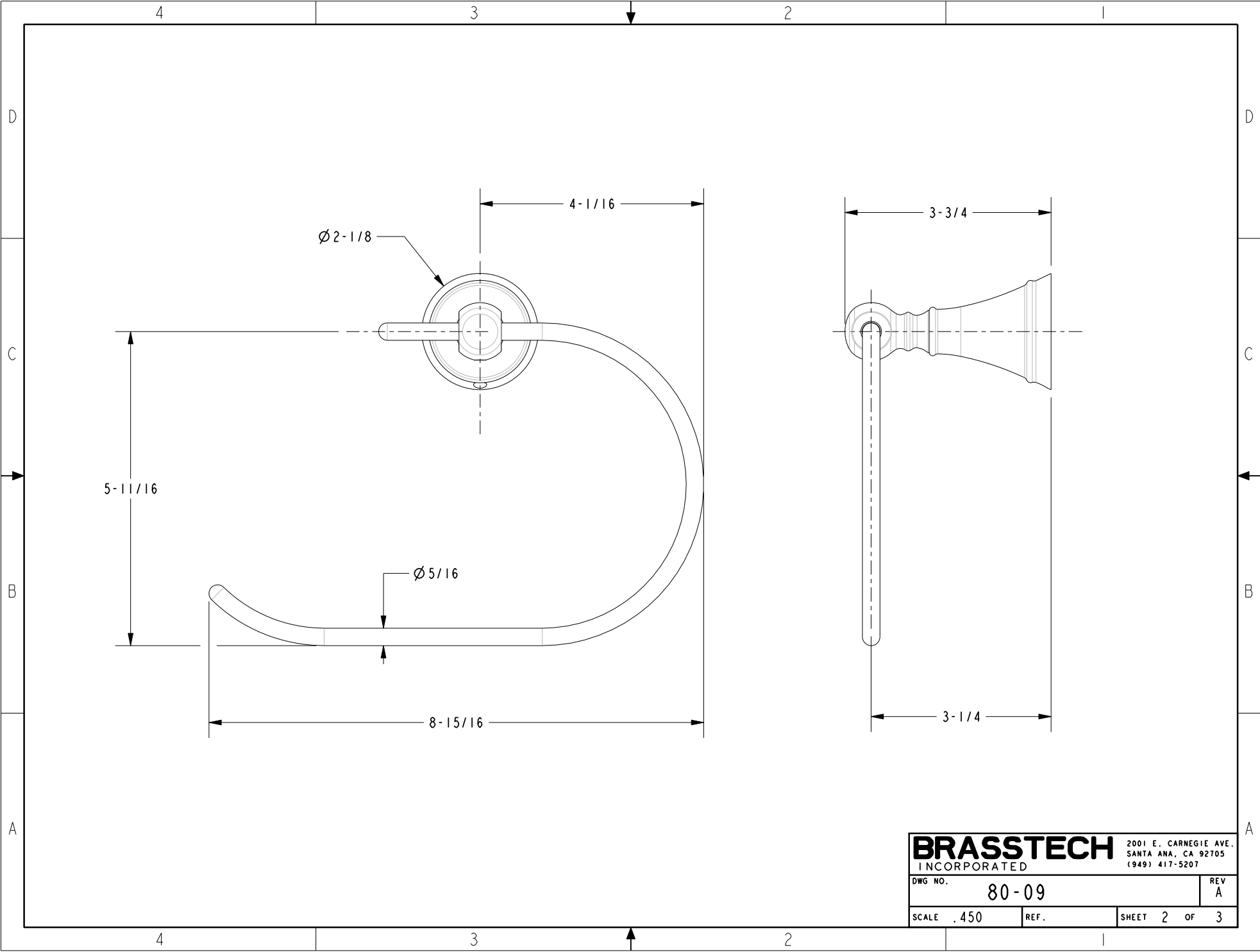
COPYRIGHT 2005 BRASSTECH, INC.  
 THESE DRAWINGS AND THE DESIGNS  
 DEPICTED HEREIN ARE THE PROPRIETARY  
 PROPERTY OF BRASSTECH. ANY USE  
 OR REPRODUCTION IS SUBJECT TO  
 THE EXPRESS APPROVAL OF BRASSTECH.  
 UNAUTHORIZED USE IS STRICTLY  
 PROHIBITED. ALL RIGHTS RESERVED.

DWG NO.	80-09	REV	A
SCALE	.450	REF.	SHEET 1 OF 3

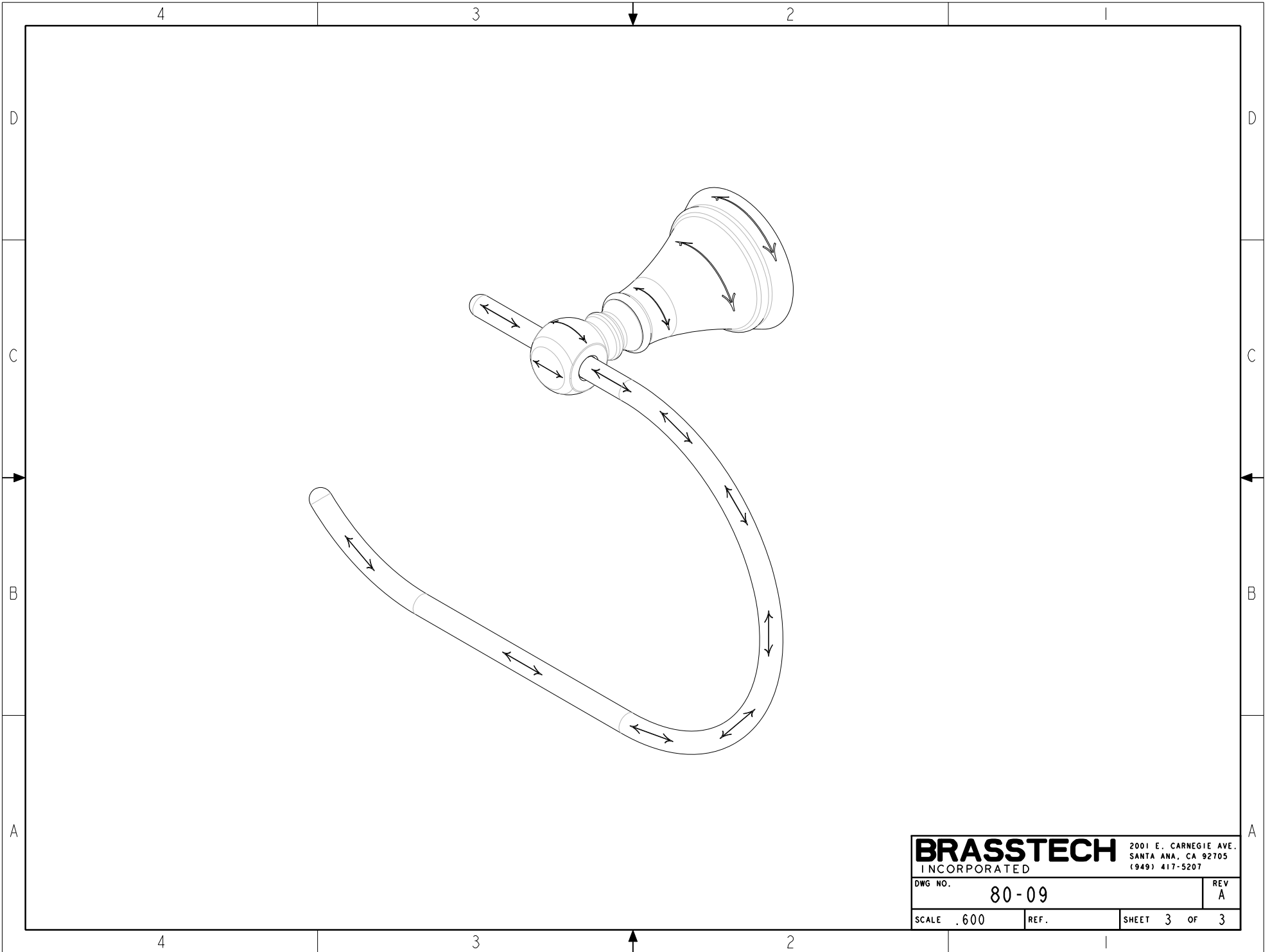
4

3

2



<b>BRASSTECH</b>		2001 E. CARNEGIE AVE.	
INCORPORATED		SANTA ANA, CA 92705	
		(949) 417-5207	
DWG NO.	80-09	REV	A
SCALE .450	REF.	SHEET 2	OF 3



<b>BRASSTECH</b>		2001 E. CARNEGIE AVE.	
INCORPORATED		SANTA ANA, CA 92705	
		(949) 417-5207	
DWG NO.	80-09	REV	A
SCALE .600	REF.	SHEET 3	OF 3