

NOTES:

1. TO INSPECT ASSEMBLY, FOLLOW FIRST ARTICLE AND IN PROCESS INSPECTION SHEET.

BILL OF MATERIAL (CURRENT LEVEL)

ITEM	PT/ASSY	DESCRIPTION	TYPE	QTY.
1	I-365	1/2" THERMO VALVE BODY	ASSEMBLY	1
2	I-103	STOP VALVE ASSEMBLY	ASSEMBLY	2
3	I-366	1/2" THERMO VOLUME CONTROL VALVE	PART	1
4	I-367	VOLUME CONTROL STEM ADAPTER	ASSEMBLY	1
5	I-338	THERMO CARTRIDGE	ASSEMBLY	1
6	91700	VOLUME CONTROL VALVE MUD COVER	PART	1
7	91687	THERMO BODY MUD COVER	PART	1
8	91695	FINISHED WALL OPENING TEMPLATE	PART	1

D

C

B

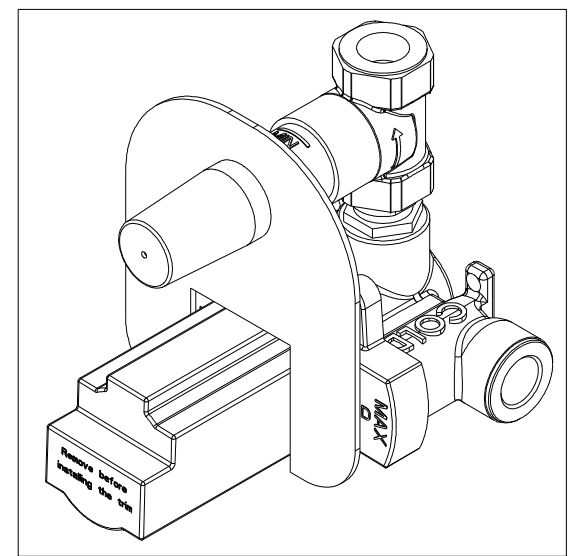
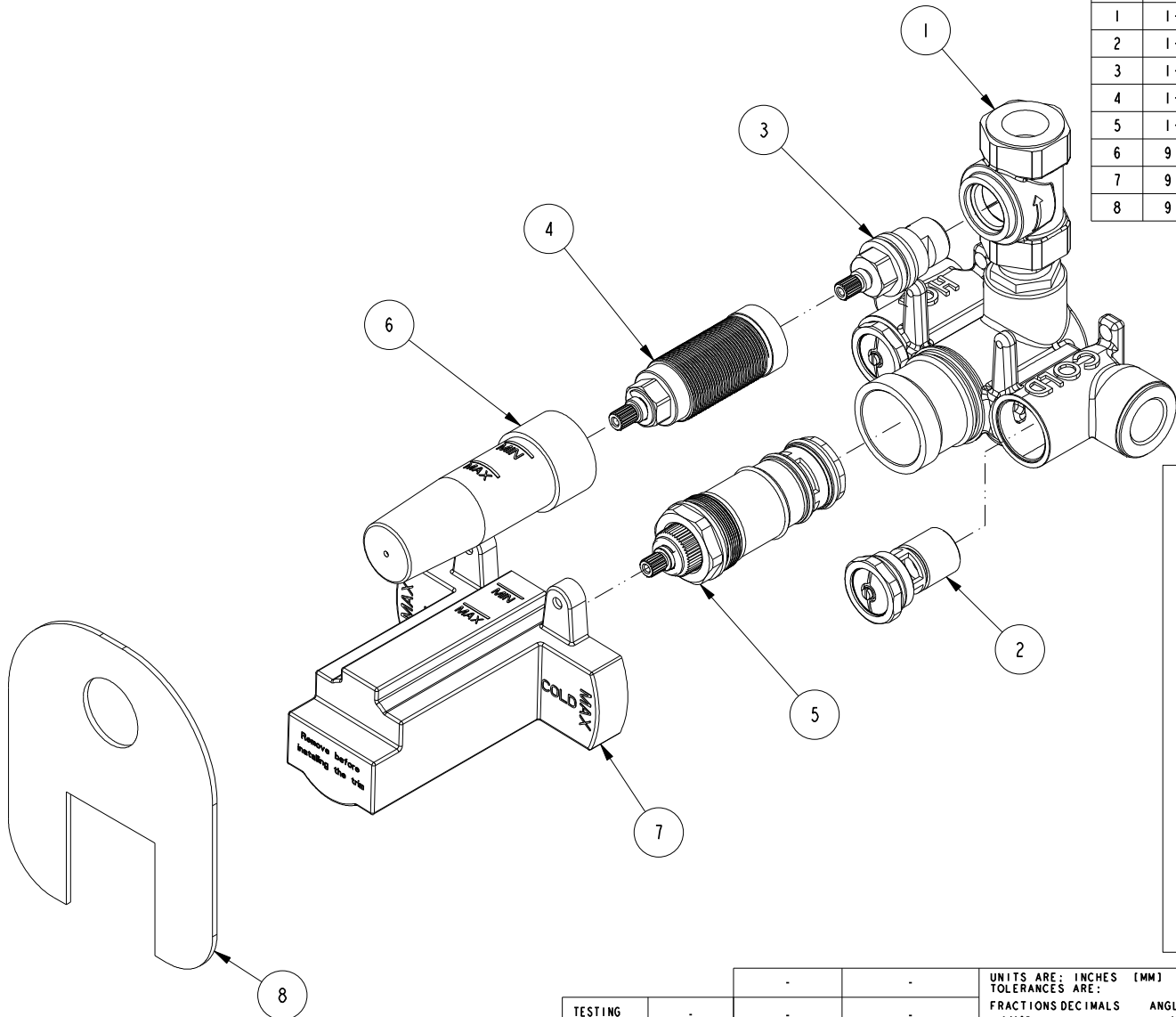
A

D

C

B

A



TESTING	-	-	-
ASSEMBLY	-	-	-
PLATING	-		
POLISHING	-	NEXT ASSY	USED ON
MACHINING	-	APPLICATION	
TOOLING FIXTURE #		REMOVE ALL BURRS AND SHARP EDGES	

UNITS ARE: INCHES [MM]
 TOLERANCES ARE:
 FRACTIONS DECIMALS ANGLES
 ±1/16" .X ±.1 [2.5] ±1°
 .XX ±.06 [1.5]

(X.XXX) DENOTES CRITICAL DIMS.
 ALL THREADS ARE CRITICAL

DRAWN	RAVINDRA	10/05/16
CHECKED	JINSON	10/05/16
APPROVED	J.M	10/05/16

BRASSTECH 2001 CARNEGIE AVE.
 INCORPORATED SANTA ANA, CA 92705
 (949) 417-5207

**1/2" THERMO VALVE WITH
 VOLUME CONTROL**

DWG NO. **1-741** REV **A**

SCALE **.375** REF. - SHEET **1** OF **2**

-	A	EN-4300kk	03/24/21	R. S.
-	-	EN-3155	10/05/16	J.M
ZONE	REV	DESCRIPTION	DATE	APPROVED

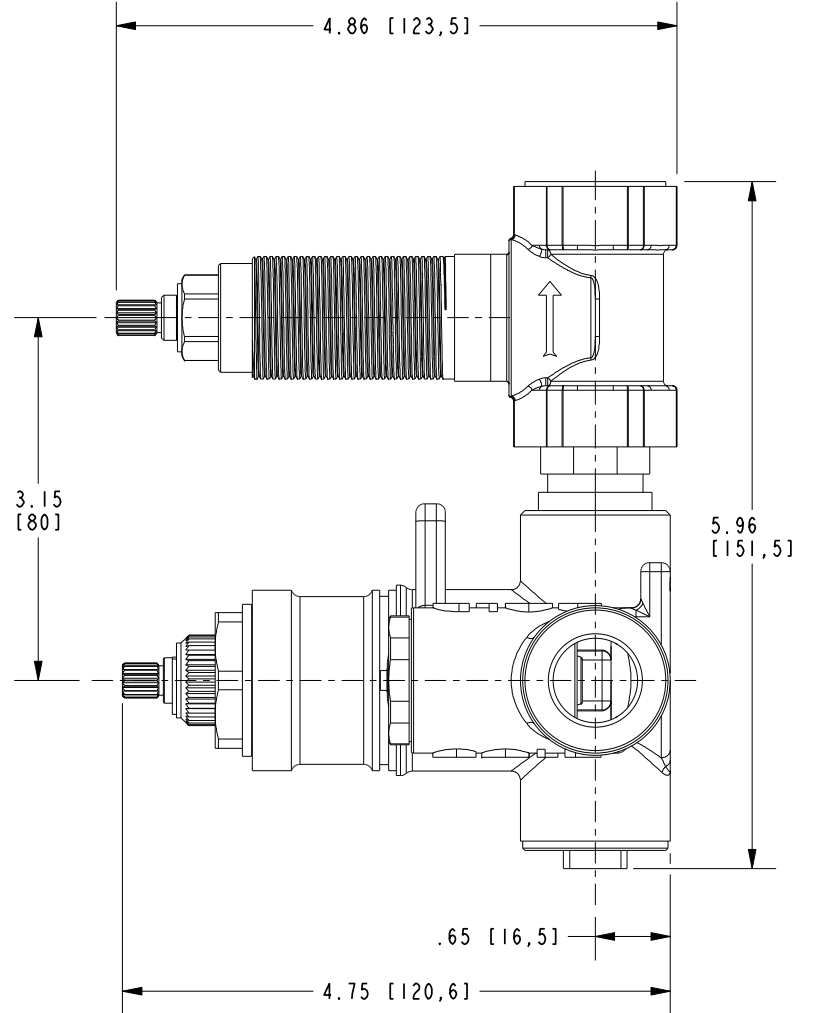
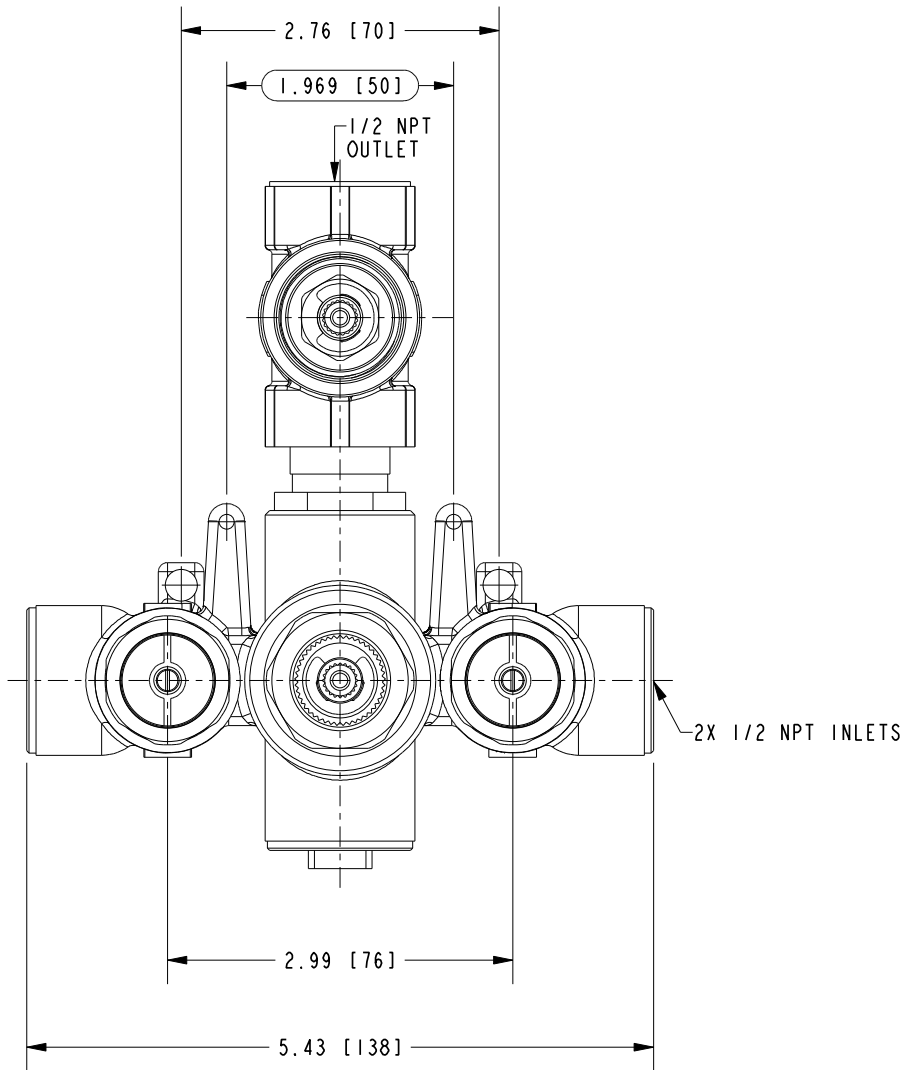
COPYRIGHT 2005 BRASSTECH, INC.
 THESE DRAWINGS AND THE DESIGNS
 DEPICTED HEREIN ARE THE PROPRIETARY
 PROPERTY OF BRASSTECH. ANY USE
 OR REPRODUCTION IS SUBJECT TO
 THE EXPRESS APPROVAL OF BRASSTECH.
 UNAUTHORIZED USE IS STRICTLY
 PROHIBITED. ALL RIGHTS RESERVED.

4

3

2

1



BRASSTECH		2001 E. CARNEGIE AVE. SANTA ANA, CA 92705 (949) 417-5207	
DWG NO.	1-741	REV	A
SCALE	.600	REF.	-
		SHEET	2 OF 2