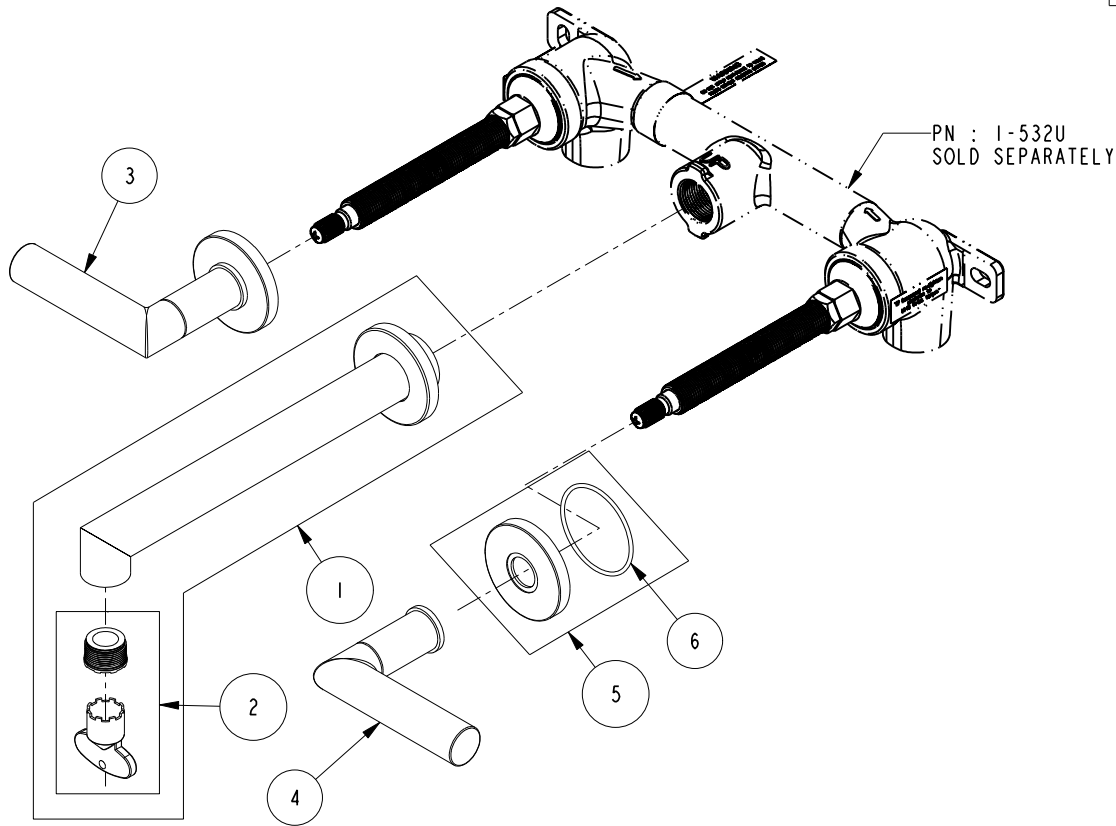


REPLACEMENT PARTS

ITEM	PT/ASSY	SPECIFY FINISH	DESCRIPTION
1	3-406	YES	W/M SPOUT & ESCUTCHEON ASM
2	1-492		AERATOR 1.2 GPM WITH KEY
3	3-549	YES	HANDLE/ ESC ASM
4	20-107	YES	HANDLE ASM
5	2-937	YES	HANDLE ESCUTCHEON ASM
6	91759		O-RING, #2-030, 50 DURO



WALL MOUNT LAV FAUCET
3-3121

REV D EN-4640-2 04/11/23 APPROVED RS

NEWPORT BRASS.

t: 949.417.5207 | www.newportbrass.com