

Installation Instructions

Bidet Fittings

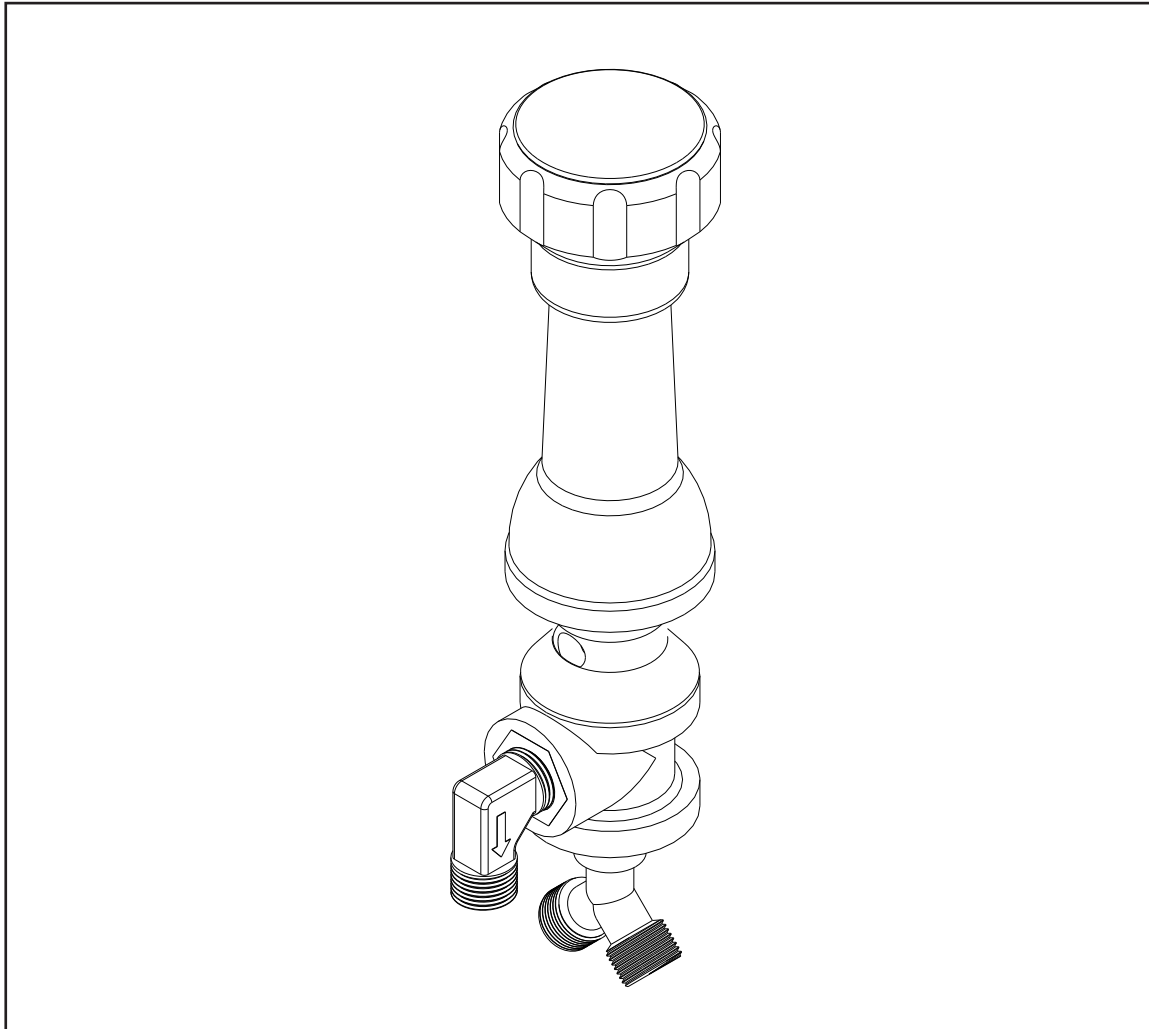
Bidet with Drain Actuating Rods

in front of Valves

Model No. 2-235

NEWPORT BRASS

Flawless Beauty. From Faucet to Finish.™



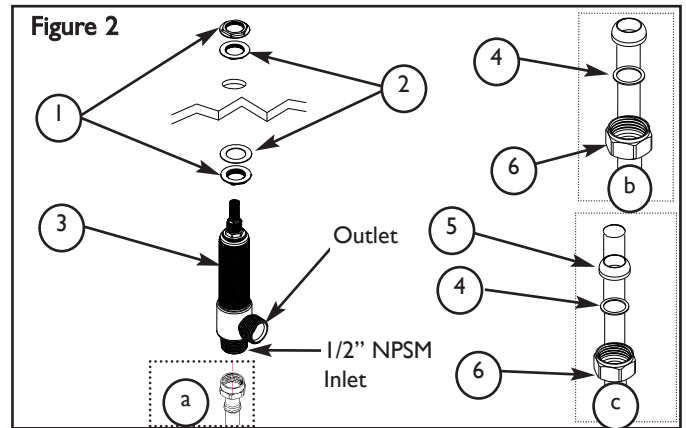
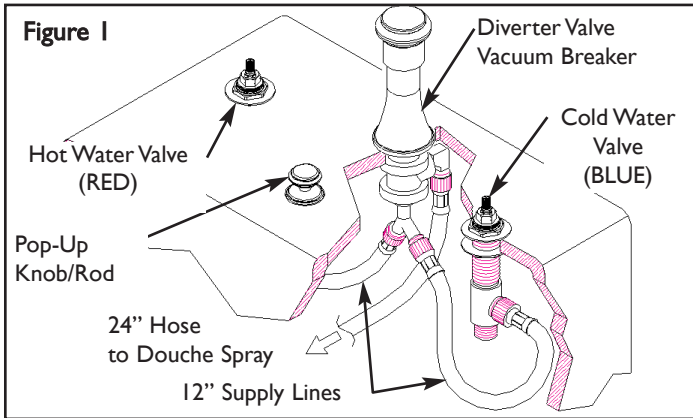
**Congratulations on the purchase
of your Newport Brass product,
an excellent choice, that will give you
years of quality service and enhance
the look and style of your home.**

Recommended installation by a Professional Plumbing Contractor

Note: The use of petroleum base plumbers putty on our products will nullify the warranty. We recommend the use of clear silicone sealing materials.

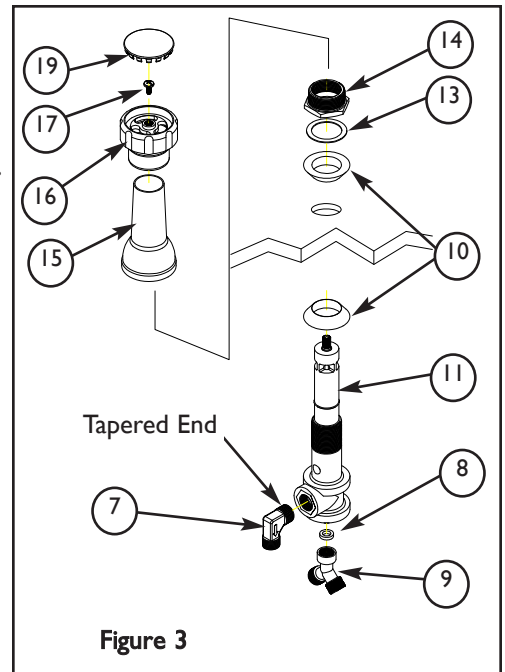
Installing Hot & Cold Valves

- The blue marked valve goes into the right side hole, the red marked valve goes into the left side hole. See Figure 1.
- Place flange NUT (1) and WASHER (2) on valve BODY (3).
- Insert valve BODY (3) from underside through hole in mounting surface at rear of bidet. Adjust valve to appropriate height above mounting surface to accommodate handle assembly.
- Using additional NUT (1) and WASHER (2) secure valve BODY (3) in place. Before tightening down flange NUT (1), check handle alignment and stem height by placing handle onto Valve (3). Any adjustments for rotational alignment must be made to the valve BODY (3), not to the cartridge. See Figure 2.



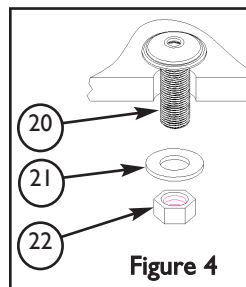
Installing Diverter Valve / Vacuum Breaker

- If unassembled, apply thread sealant to tapered end of ELBOW (7) and connect to side outlet of diverter VALVE (11).
- Place rubber WASHER (8) into "Y" (9) fitting and hand tighten to base of VALVE (11), over tightening may damage WASHER (8) and affect flow.
- Slide one rubber WASHER (10) down onto VALVE (11) base.
- Insert VALVE (11) from underside, through center valve hole at rear of bidet, from topside place rubber WASHER (10), nylon WASHER (13) and securely tighten with mounting NUT (14).
- Thread Escutcheon (15) onto mounting NUT (14)
- Place HANDLE (16) onto VALVE (11) stem and secure into place with SCREW (17). Install CAP (19) onto HANDLE (16). See Figure 3.
- Connect large end of 12" supply lines to side outlet of hot and cold valves and attach small end to "Y" (9) fitting. See Figure 1.



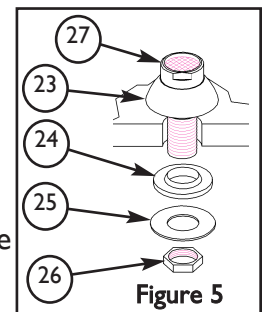
Install Pop-Up Rod Guide

- Apply a small amount of clear silicon to underside of decorative FLANGE (20) and insert through appropriate bidet hole.
- From underside, slide steel WASHER (21) onto flange NIPPLE (20) and secure in place with NUT (22). See Figure 4.



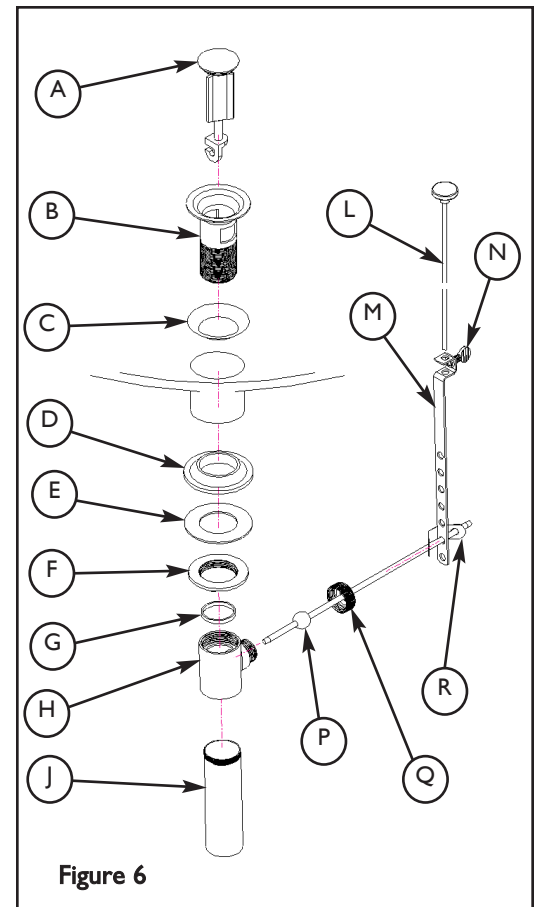
Installing Douche Spray Fitting

- Apply clear silicon to underside of douche spray BODY (23) and insert through appropriate bowl opening.
- Slide rubber WASHER (24) and steel WASHER (25) onto spray BODY (23) from underside and tighten NUT (26) firmly to achieve water-tight seal. See Figure 5.
- Attach end of 24" hose from diverter ELBOW (7) to spray BODY (23). See Figure 1.



Installing Drain Components

- Remove drain PLUG (A) from FLANGE (B).
- Place FLANGE (B) and white WASHER (C) through sink drain opening. (Clear silicone may be used in place of white washer.)
- From bottom side of sink, place cone shaped rubber WASHER (D) onto FLANGE (B) and slide up against sink bottom.
Note: Cone portion of WASHER (D) to face upward.
- Slide on clear flat WASHER (E) and secure with flange NUT (F).
- Place clear WASHER (G) into drain BODY (H) and tighten to FLANGE (B).
- Apply thread sealant to TAILPIECE (J) and attach to drain BODY (H).
- Attach TAILPIECE (J) to p-trap drain (not included).
- Place drain PLUG (A) into FLANGE (B).
- Insert pop-up ROD (L) through rod opening and secure to STRAP (M), approximately 1" from end of ROD (L), with SCREW (N).
- Insert ball ROD (P) into the drain's rod opening, secure with ball rod NUT (Q).
- Adjust the rise of the plunger and CLIP (R) into place.
- Adjust ball ROD (P) and pop-up ROD (L) so drain will open and close properly. See Figure 6.
- Connect TAILPIECE (J) to waste p-trap (not included).

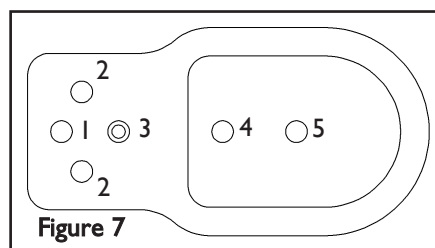


Finish Trim

- Place handle into valve STEM and secure in place. Any adjustments for rotational alignment must be made to the valve body, not to the cartridge. (Cartridge Bonnet factory torque is 14-16 ft-lbs.)
- Attach hot/cold water supply to appropriate 1/2" NPSM valve BODY (4), utilizing one of the three following types of risers. Supply risers not included. See Figure 2.
 - a. 1/2" IPS flexible riser: discard rubber nosecone WASHER (5), friction WASHER (4) and coupling NUT (6).
 - b. 3/8" or 1/2" OD bullnose riser: utilize friction WASHER (4) and coupling NUT (6).
 - c. 1/2" copper riser: utilize rubber nosecone WASHER (5), friction WASHER (4) and coupling NUT (6).
- Remove AERATOR (27) from douche spray BODY (23). Turn on water supply.
- Rotate diverter handle and flush lines until water is clear.
- Reattach AERATOR (27) and check for leaks.
- Drain basin and check drain seals.

Top View of Bidet Showing Locations of:

1. Diverter Valve
2. Hot & Cold Valves
3. Pop-Up Knob/Rod
4. Pop-Up Drain
5. Douche Spray



(949)417-5207

Santa Ana, Ca. 92705

www.brasstech.com