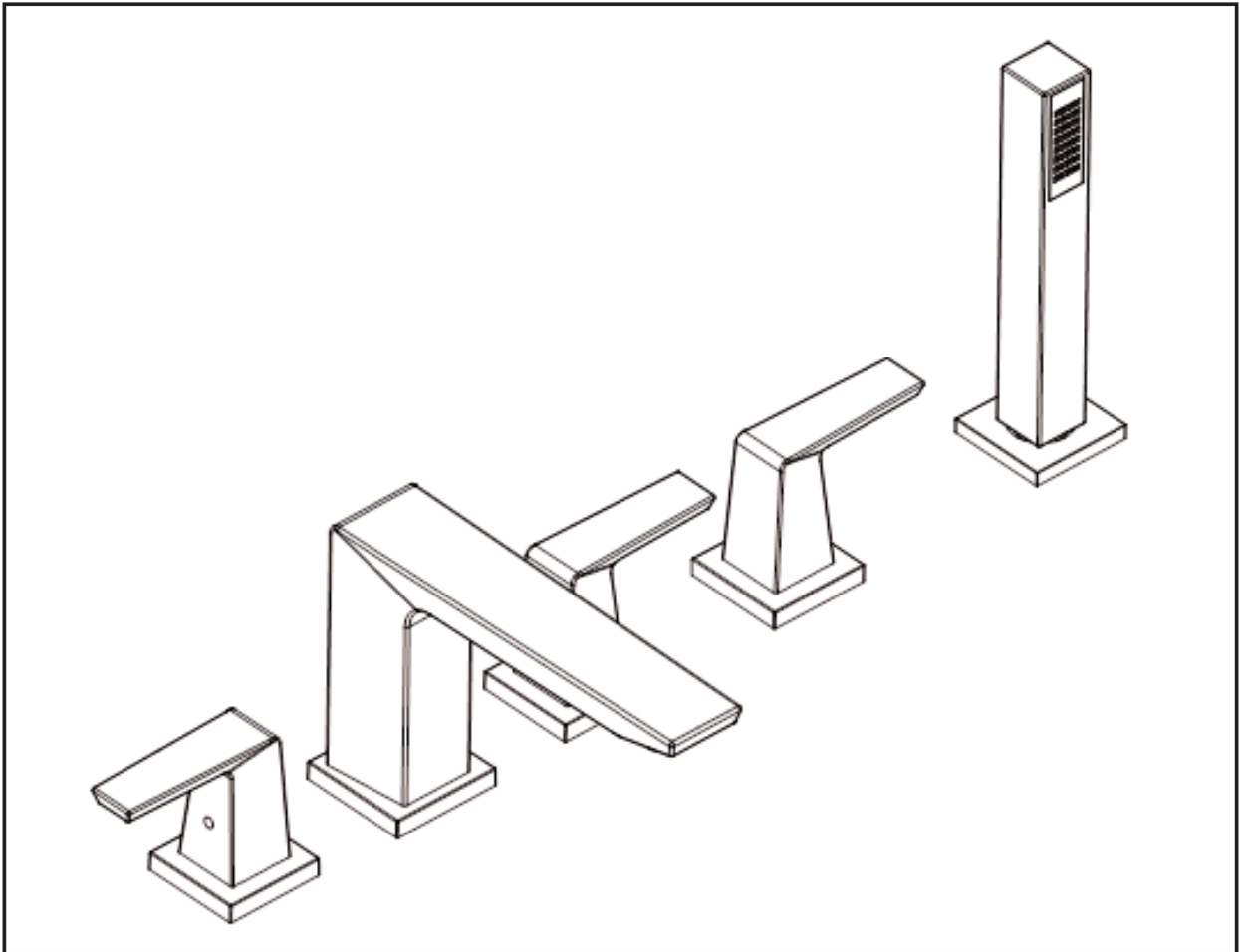


**INSTALLATION INSTRUCTIONS**  
**ROMAN TUB 3 VALVE AND TRIM**

**NEWPORT BRASS**  
Flawless Beauty. From Faucet to Finish.™

**Trim Model No. 3-8307**

**Valve Body No. 1-658**



**Congratulations on the purchase  
of this Newport Brass product,  
an excellent choice, that will give you  
years of quality service and enhance  
the look and style of your home.**

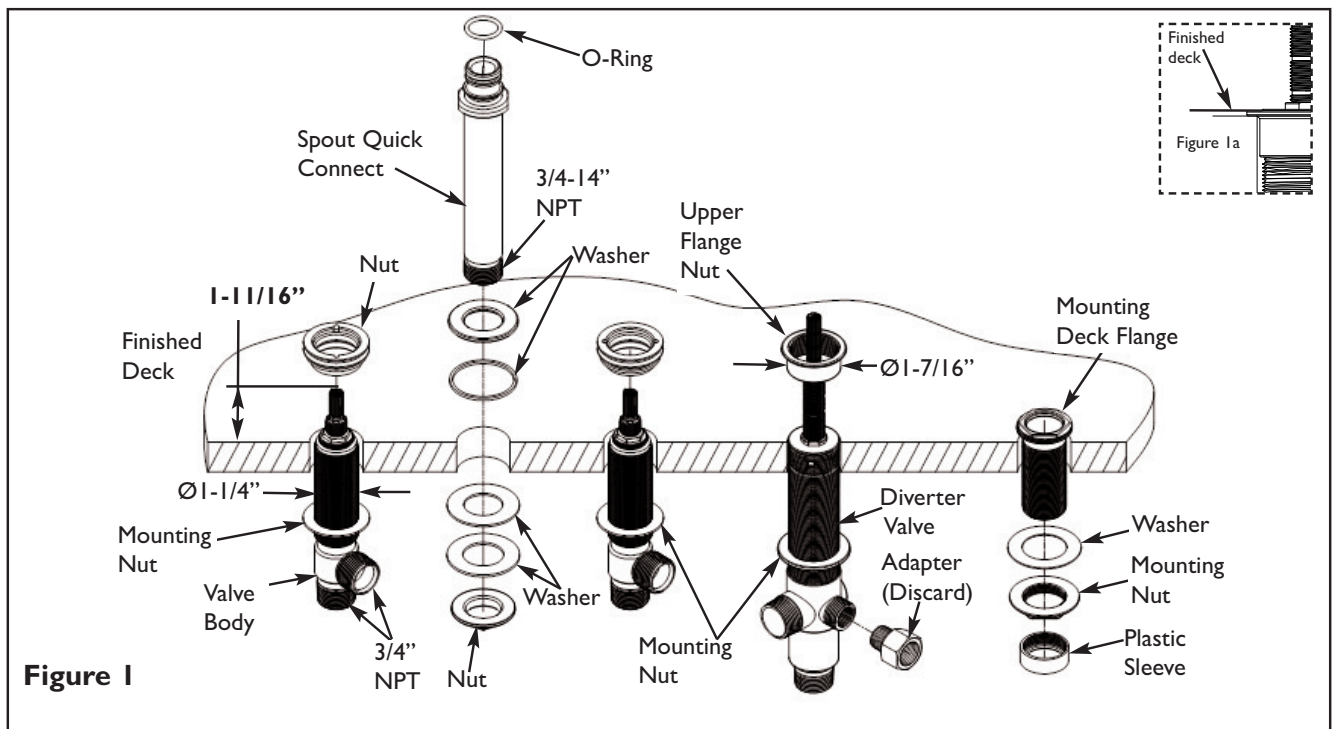
## Rough in valve Installation

Recommended Installation by a Professional Plumbing Contractor

**Note:** Use plumbers tape or equivalent to seal all threaded joints. Plumb with 3/4" copper pipe is recommended.

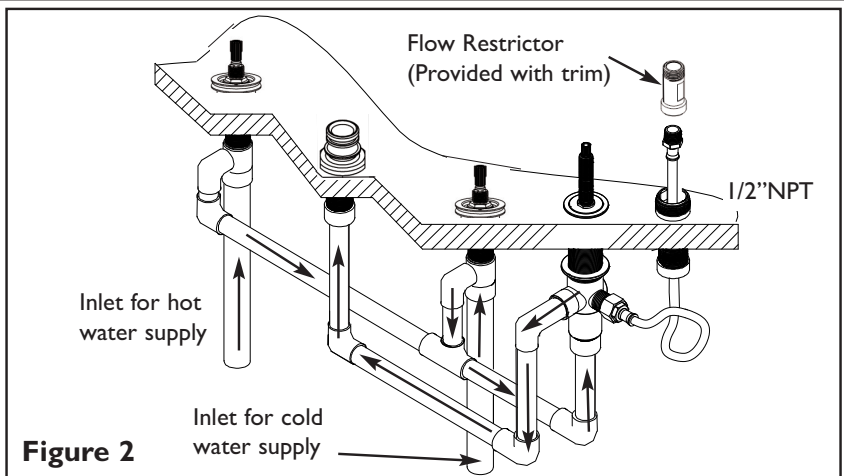
**Warning:** To prevent severe damage to valve body, any solder/braze process must be performed a min. of 4" from ports.

1. Install the spout quick connect shank through appropriate hole of mounting surface. Ensure the Spout Quick bottoms out against the Diverter Valve before tightening the Mounting Nut. See **Fig. 1**
2. Place mounting nut on Valve Body. Insert body, (blue cold & red hot), through hole from underside of deck.
3. Adjust stem height 1-11/16" from finished deck and secure into place with Nut. See **Fig. 1**.
4. Remove upper flange nut and install diverter body from underside of deck. Reattach upper flange nut onto diverter valve. Note: place flange nut on finished deck surface, see Figure 1a.
5. Install Hand Shower Mounting Deck Flange housing through hole on finished deck surface, install Washer and secure with Mounting Nut.
6. Place Plastic Sleeve onto lower portion of Hand Shower Mounting Deck Flange housing threads.
7. Feed Braided Hose through Hand Shower Deck Flange and attach one end of hose into the hand shower outlet of Diverter Valve. See **Figure 2**.
8. Attach hot/cold supply lines to appropriate Valve Body. See **Figure 2**.
9. The outlet from each Valve Body must be joined (ie. mixed) then attached to inlet at bottom of Diverter Valve.



**Figure 1**

**\*** **Note:** Some states require a ASSE 1016 approved Tempering Valve installation with this product. See disclaimer (page 4) for proper installation



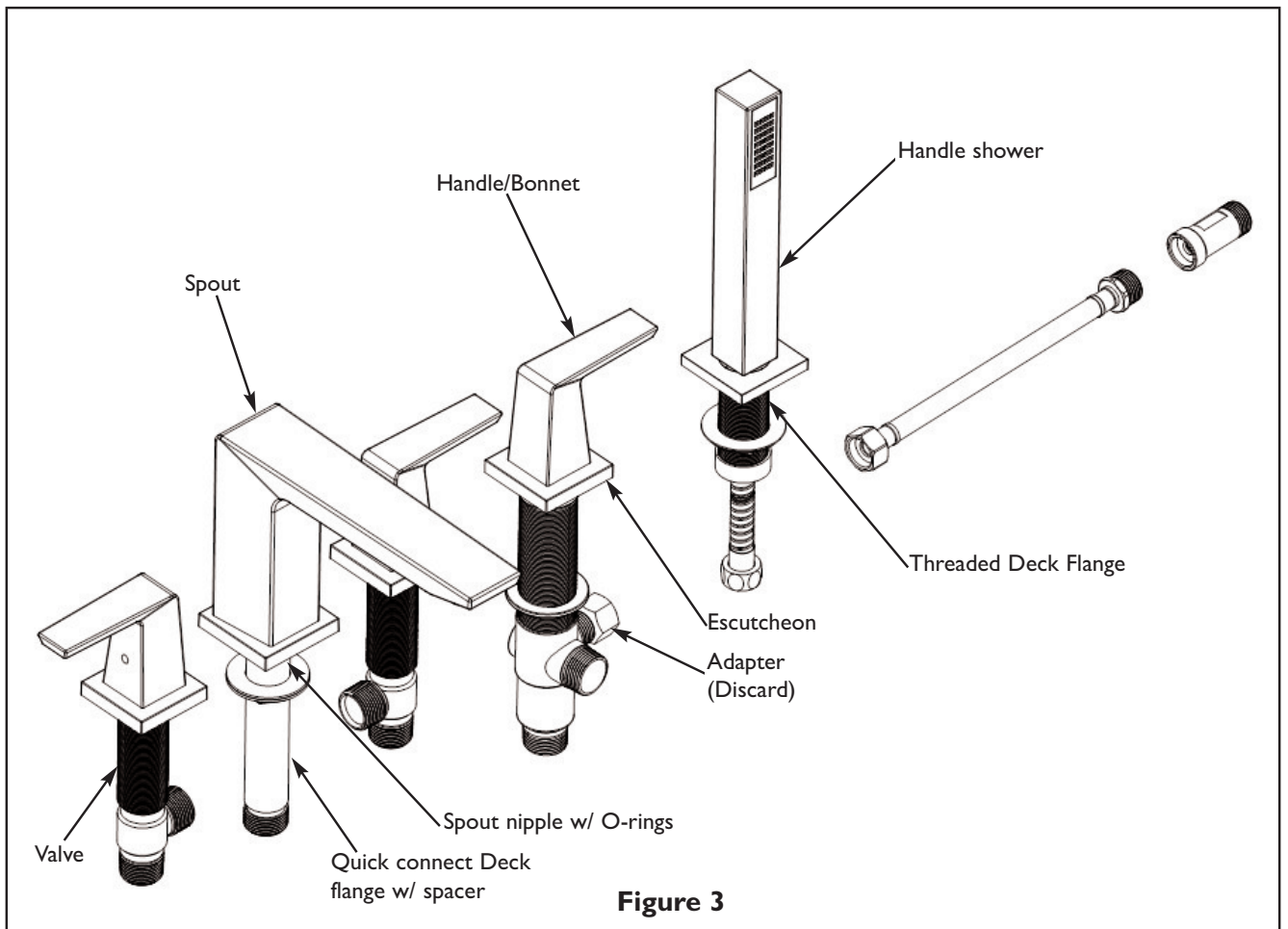
**Figure 2**

## Trim Installation

### Note:

To achieve desired handle rotational alignment, the cartridge **MUST** be tightened in a clockwise rotation only. (Cartridge Bonnet factory torque is 14-16 ft-lbs.)

1. Attach handle and diverter trim to valves. Any adjustments for rotational alignment must be made to the valve body - not to the cartridge. (**Note:** Allow minimum spacing between handles and escutcheon/bonnet to prevent damage to the surface finish.) Secure handles into place with setscrew.
2. Slide spout nipple into quick connect deck flange (re-grease if necessary). Make sure spout is flush with deck and secure into place with setscrew. See Figure 3
3. Install decorative ring to threaded deck flange. Attach braided hose, from diverter, to the hand shower decorative hose and assembly.
4. Turn on water supply, check for leaks and make any final adjustments required.



## Disclaimer Regarding Brasstech Roman Tub with Hand Spray

To conform to local codes and ordinances, all Brasstech Roman tub with hand spray products should be used in concert with an ASSE 1016 approved tempering valve to reduce the hot water supply to a safe temperature not exceeding 110°F (43°C).

**Important:** Water temperatures in excess 110°F (43°C) are dangerous and may cause scalding, severe injury or death!

Tempering valve should be installed and adjusted by a licensed contractor per the valve manufacturer installation instruction, and in accordance with local codes and ordinances. In general, key characteristics to ensure a tempering valve to work best with Brasstech Roman Roman tub with hand spray products shall be as follows:

- Tempering valve should be used prior to the Roman tub product to reduce the hot water supply to a safe temperature.
- To ensure sufficient water flow through the tub spout, tempering valve should be capable to handle a flow rate of 10 gpm or more.
- Tempering valve should include inlet filter washer and check valves in both the hot and cold water inlets to protect against cross flow.

### Pressure - Temperature - Flow Rate

Minimum supply pressure static: 30psi (207 kPa)

Inlet temperature: hot inlet, 120°F – 180°F (49°C – 82°C)

cold inlet, 39°F – 85°F (4°C – 29°C)

Temperature out: Field range: 80°F -120°F (27°C – 49°C), adjustable. Accurate within +/-3°F (1.7°C)

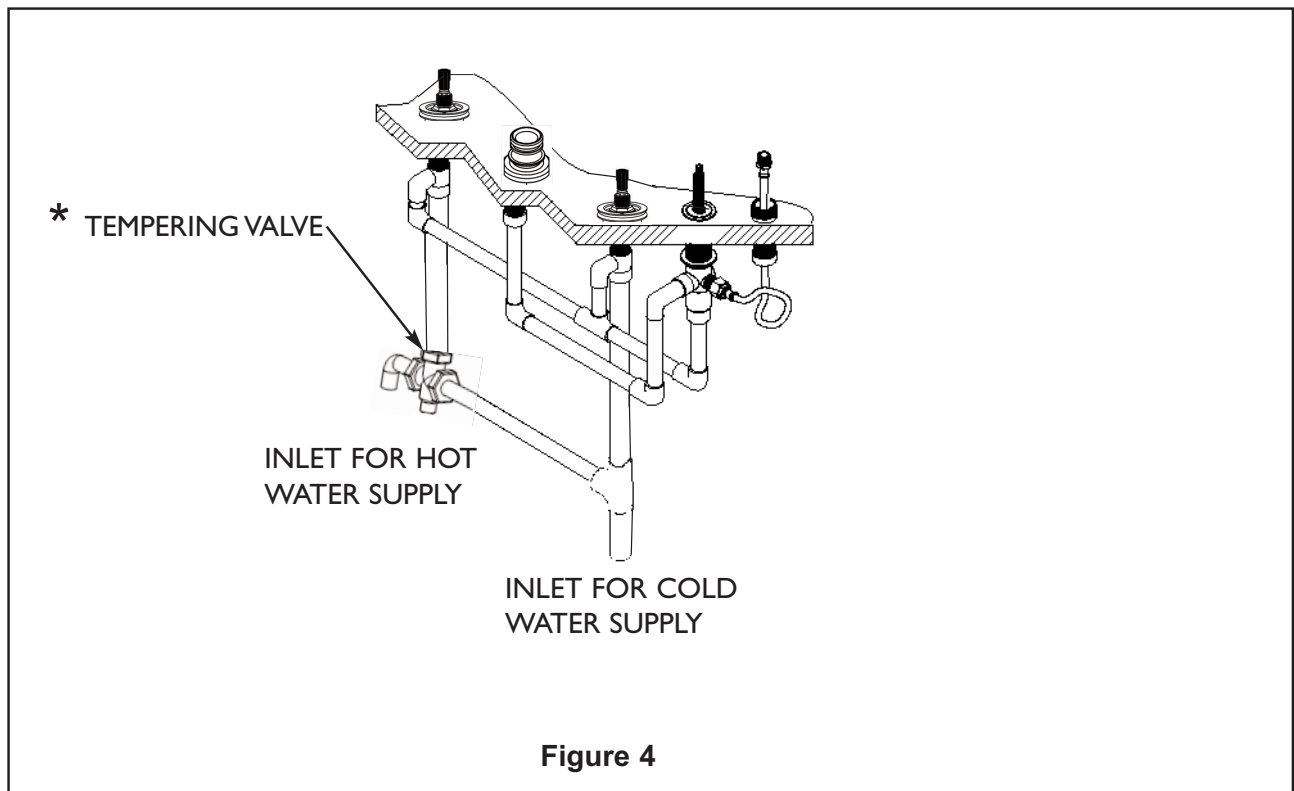
Maximum temperature: 200°F (93°C)

Maximum pressure: 150psi (10.3 bar)

Minimum flow: 0.5 gpm (1.9 lpm) @ 0.8psi (0.55 kPa)

Maximum flow: 20 gpm (76 lpm) @ 125psi (862 kPa)

**\*Note:** Valve should be installed in a location where it is accessible for cleaning or service. Due to the effects of various water conditions, periodic verification of outlet water temperature is required.



2001 CARNEGIE AVE, SANTA ANA CA 92705

(949) 417-5207

WWW.NEWPORTBRASS.COM