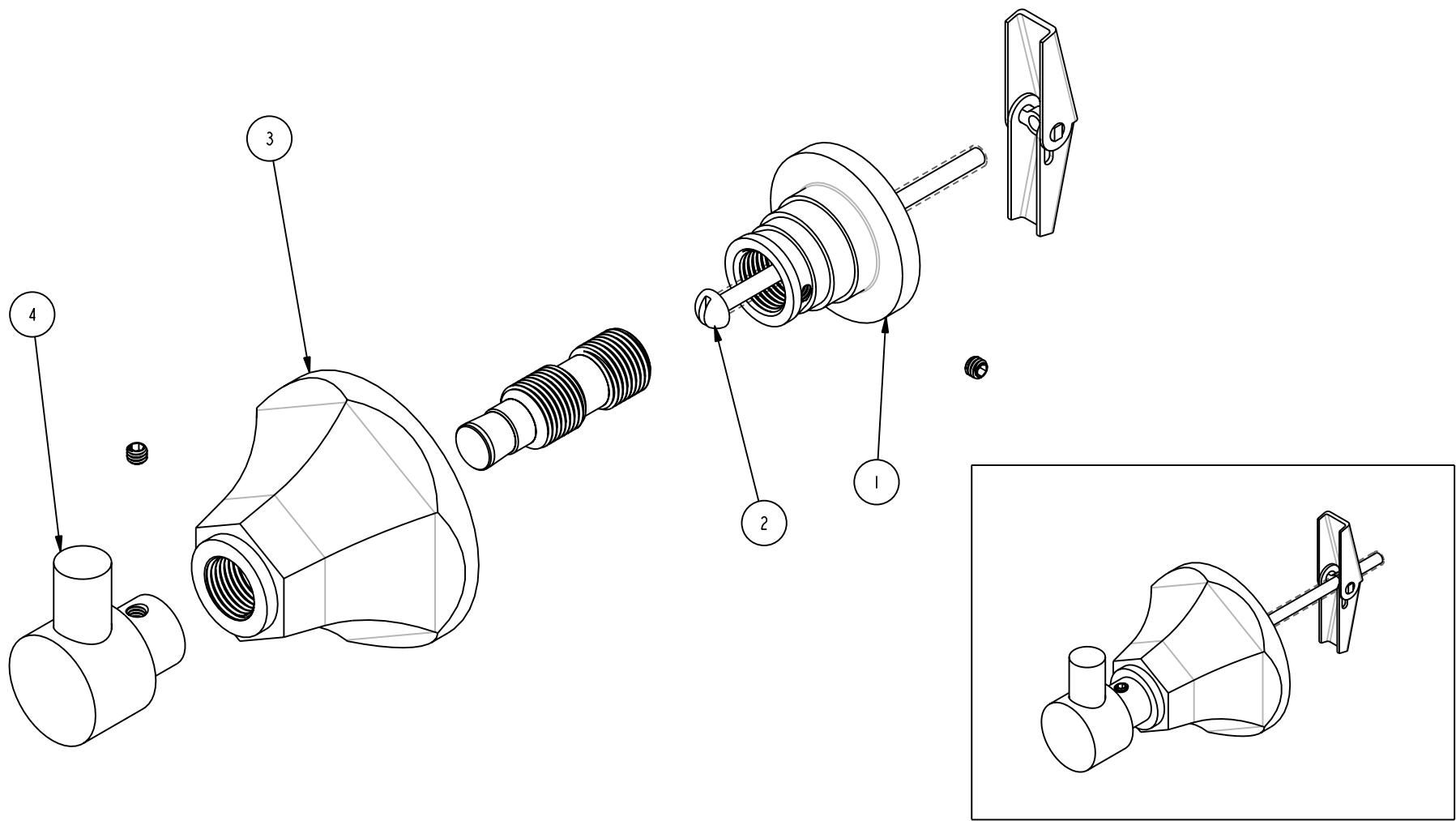


BILL OF MATERIAL (CURRENT LEVEL)				
ITEM	PT/ASSY	DESCRIPTION	TYPE	QTY.
1	1-036	30" TOWEL BAR	ASSEMBLY	1
2	1-038	ACC MOUNTING HARDWARE SINGLE	ASSEMBLY	1
3	10960	HEX ESCUTCHEON	PART	1
4	7-633	POST ASM GRMT HK	ASSEMBLY	1



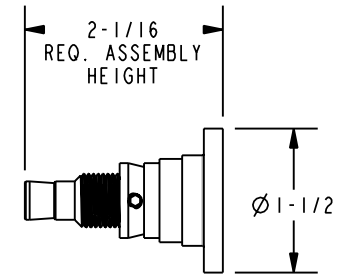
COPYRIGHT 2003 BRASSTECH, INC. THESE DRAWINGS AND THE DESIGNS DEPICTED HEREIN ARE THE PROPRIETARY PROPERTY OF BRASSTECH. ANY USE OR REPRODUCTION IS SUBJECT TO THE EXPRESS APPROVAL OF BRASSTECH. UNAUTHORIZED USE IS STRICTLY PROHIBITED. ALL RIGHTS RESERVED.

BRASSTECH
INCORPORATED
2001 E. CARNEGIE AVE.
SANTA ANA, CA 92705
(949) 417-5207

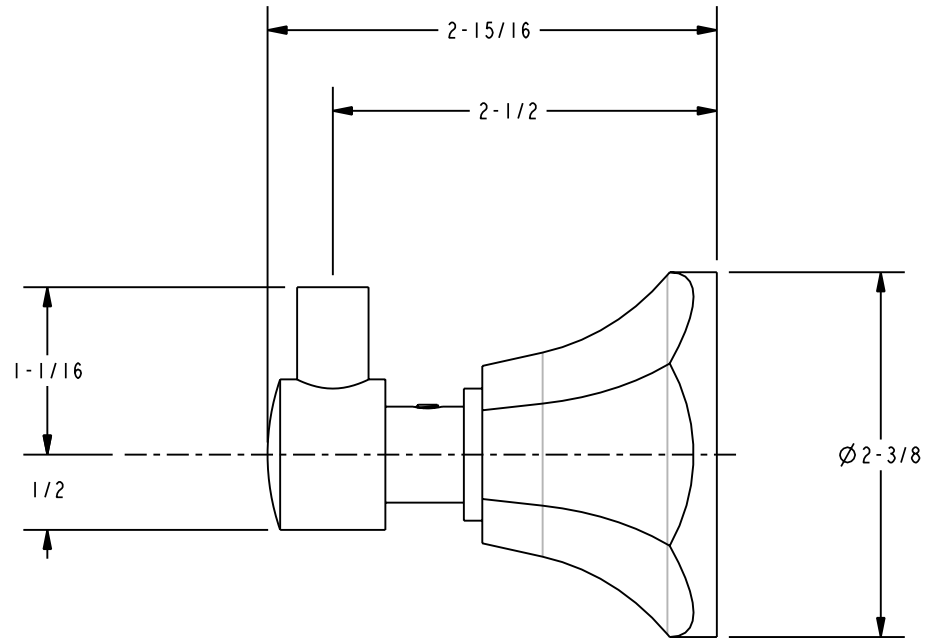
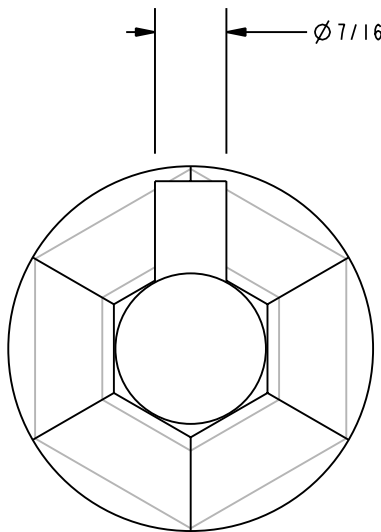
GARMENT HOOK - SINGLE

ASSY. NO.	24-12	A	EO-0404	8/25/04
SCALE	0.800	REF.	-	RELEASED
SHEET	1	OF	2	07/17/03
REV		REV	DESC	DATE

SPECIFICATION DWG



SCALE 0.500



DIMENSIONS ARE IN INCHES AND AN APPROXIMATION OF A TYPICAL INSTALLATION

COPYRIGHT 2004 BRASSTECH, INC. THESE DRAWINGS AND THE DESIGNS DEPICTED HEREIN ARE THE PROPRIETARY PROPERTY OF BRASSTECH. ANY USE OR REPRODUCTION IS SUBJECT TO THE EXPRESS APPROVAL OF BRASSTECH. UNAUTHORIZED USE IS STRICTLY PROHIBITED. ALL RIGHTS RESERVED.

BRASSTECH		2001 E. CARNEGIE AVE.	
INCORPORATED		SANTA ANA, CA 92705	
		(949) 417-5207	
DWG NO.	24-12	REV	-
SCALE	1.000	REF.	-
		SHEET	2 OF 2