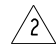
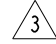
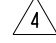

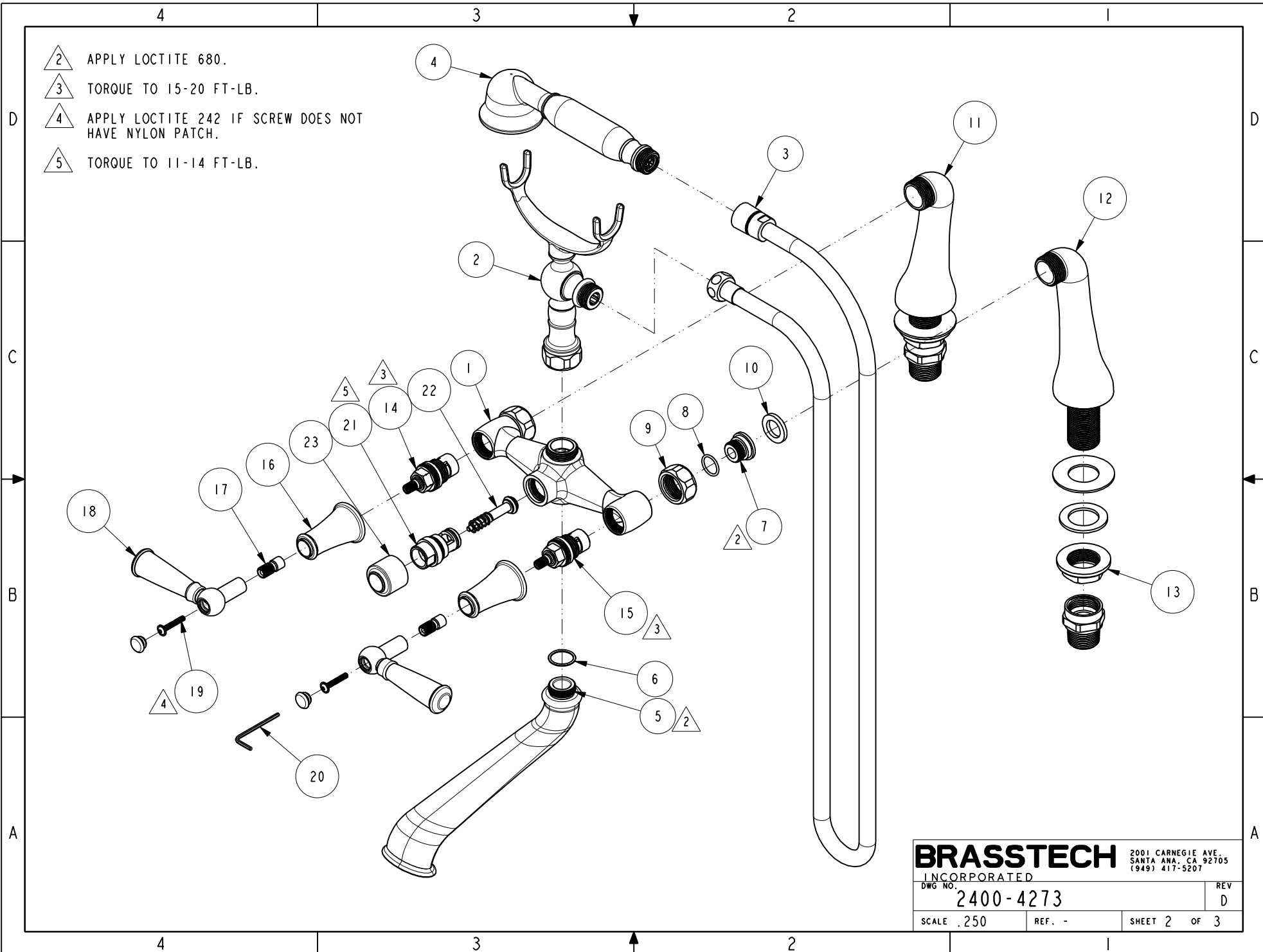


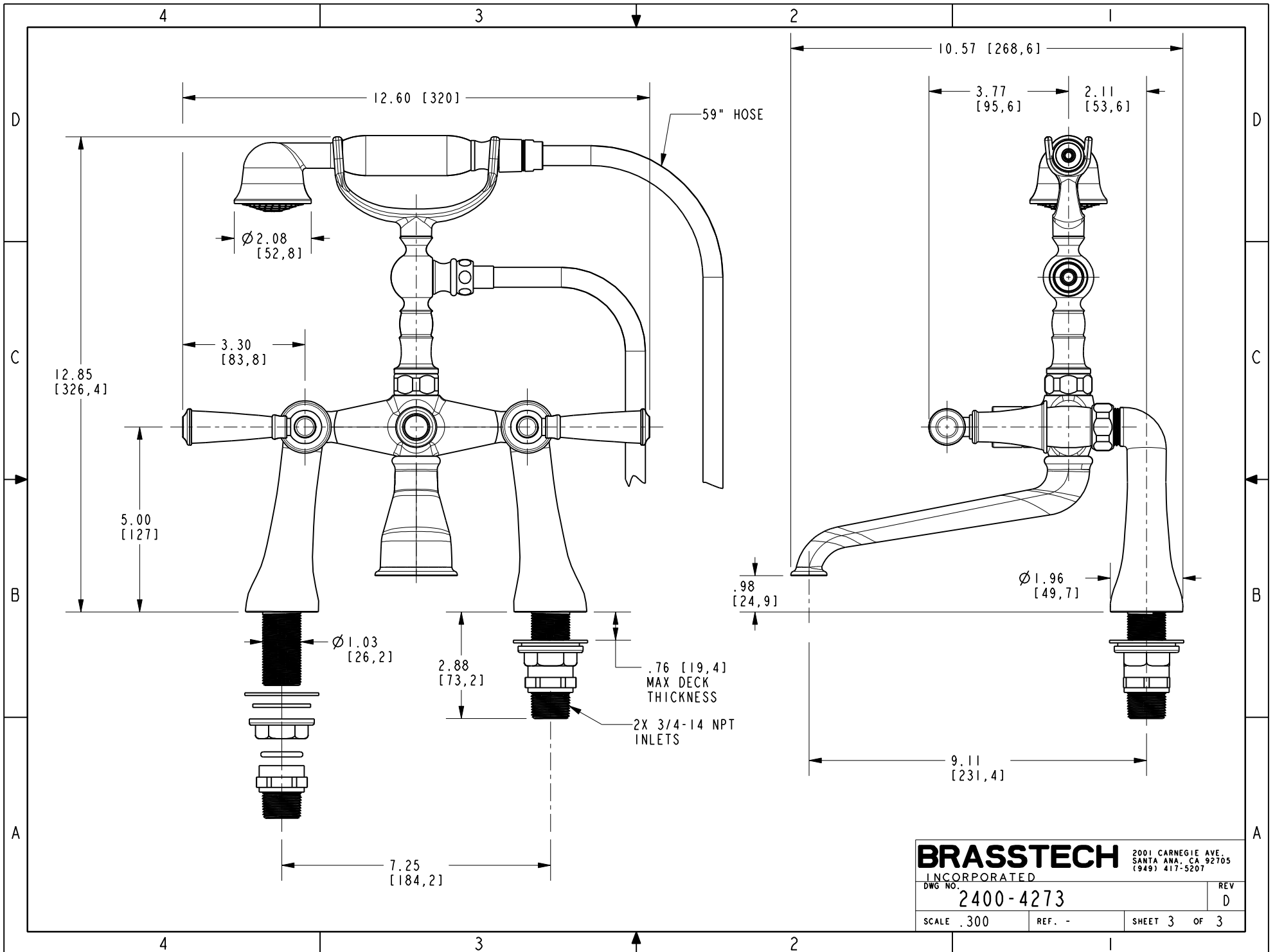


-  2 APPLY LOCTITE 680.
-  3 TORQUE TO 15-20 FT-LB.
-  4 APPLY LOCTITE 242 IF SCREW DOES NOT HAVE NYLON PATCH.
-  5 TORQUE TO 11-14 FT-LB.



**BRASSTECH** 2001 CARNEGIE AVE.  
 INCORPORATED SANTA ANA, CA 92705  
 (949) 417-5207

DWG NO.	2400-4273	REV	D
SCALE	.250	REF.	-
SHEET 2		OF 3	



**BRASSTECH**

INCORPORATED

DWG NO. 2400-4273

2001 CARNEGIE AVE.  
SANTA ANA, CA 92705  
(949) 417-5207

SCALE .300

REF. -

SHEET 3 OF 3

REV D