

Shower Trim
3-8104BP

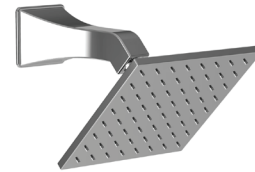
Features

- Solid brass construction
- Face plate with handle escutcheon
- 2.0 gallons (7.6 liters) per minute maximum flow rate showerhead
- Lever handle is ADA compliant when used with Shower Trim
- Intended for use with Newport Brass rough valve(s) as specified (Required Accessory)

Codes / Standards Compliance

Meets or exceeds the following at date of manufacture:

- ASME A112.18.1/CSA B125.1
- IAPMO/cUPC
- IPC
- ADA
- ICC/ANSI A117.1
- ASSE 1016
- Energy Policy Act of 1992
- All applicable US Federal and State material regulations



Colors / Finishes

- 09: Old World Bronze
- 15: Polished Nickel
- 15S: Satin Nickel - PVD
- 26: Polished Chrome

Specified Model

Model	Description	Colors Finishes
3-8104BP	Shower Trim	<input type="checkbox"/> 09 <input type="checkbox"/> 15 <input type="checkbox"/> 15S <input type="checkbox"/> 26

Required Accessory

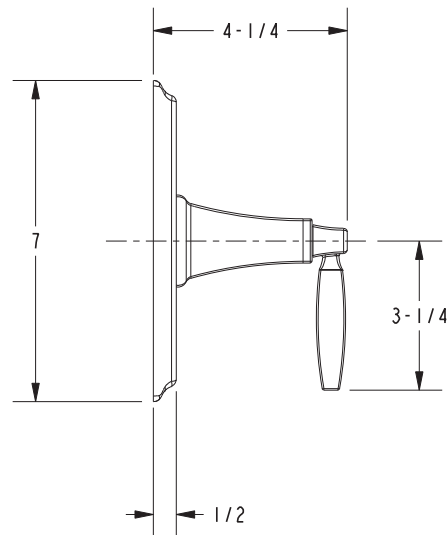
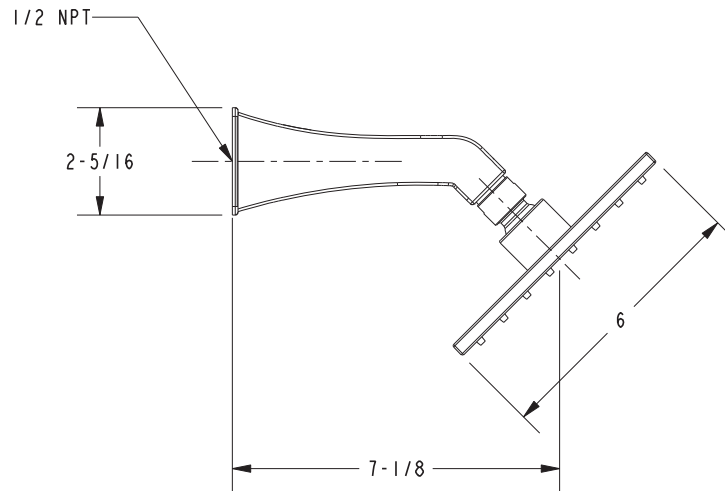
Model	Description	Colors Finishes
1-684	BP valve with diverter	<input type="checkbox"/> NA

Product Specification Add "Length Indicator and Color / Finish" suffix to Model number, below.

The single-control Shower Trim shall be made of solid brass construction. Shower Trim shall include showerhead with arm and flange and faceplate and escutcheon. Lever handle is ADA compliant when used with Shower Trim. Showerhead shall have a maximum flow rate of 2.0 gallons (7.6 liters) per minute. Shower Trim shall be Newport Brass Model 3-8104BP/_____ and single-control Shower rough valve shall be Newport Brass Model 1-684.

3-8104BP

PRODUCT DIMENSIONS *(Units are in inches)*



Newport 365 Rydder Shower Trim
3-8104BP