

4

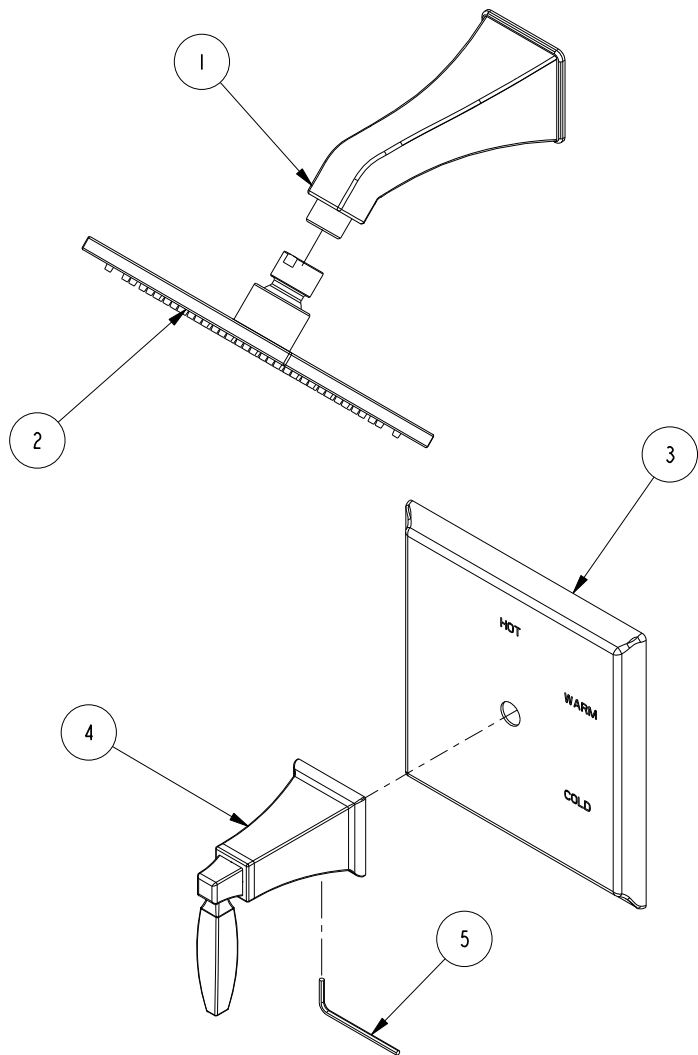
3

2

1

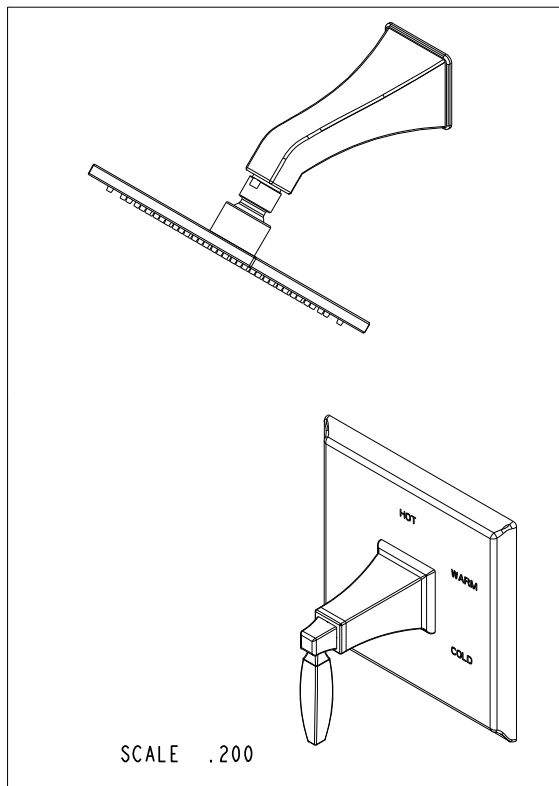
NOTES:

(N1) 1. FIT / FORM / FUNCTION SHALL FOLLOW PS-E.008



BILL OF MATERIAL (CURRENT LEVEL)

| ITEM | PT/ASSY  | DESCRIPTION     | TYPE     | QTY. |
|------|----------|-----------------|----------|------|
| 1    | 12312    | SHOWER ARM      | PART     | 1    |
| 2    | 3-504    | SHOWER HEAD ASM | ASSEMBLY | 1    |
| 3    | 2-962    | COVER PLATE ASM | ASSEMBLY | 1    |
| 4    | 3-502    | HANDLE ASM      | ASSEMBLY | 1    |
| 5    | CCOT0002 | HEX KEY         | PART     | 1    |



COPYRIGHT 2005 BRASSTECH, INC. THESE DRAWINGS AND THE DESIGNS DEPICTED HEREIN ARE THE PROPRIETARY PROPERTY OF BRASSTECH. ANY USE OR REPRODUCTION IS SUBJECT TO THE EXPRESS APPROVAL OF BRASSTECH. UNAUTHORIZED USE IS STRICTLY PROHIBITED. ALL RIGHTS RESERVED.

**BRASSTECH**  
 INCORPORATED  
 2001 CARNEGIE AVE.  
 SANTA ANA, CA 92705  
 (949) 417-5207

BP SHOWER TRIM SET

ASSY. NO. 3-8104BP

SCALE .250

REF.

SHEET 1 OF 3

|     |          |          |
|-----|----------|----------|
| A   | EN-2889  | 05/11/15 |
| -   | EN-2741  | 08/27/14 |
| REV | REV DESC | DATE     |

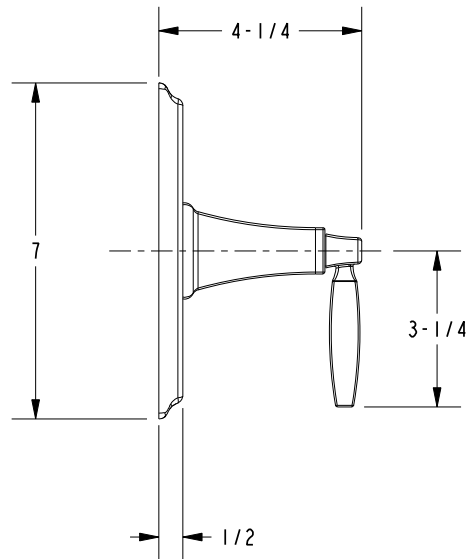
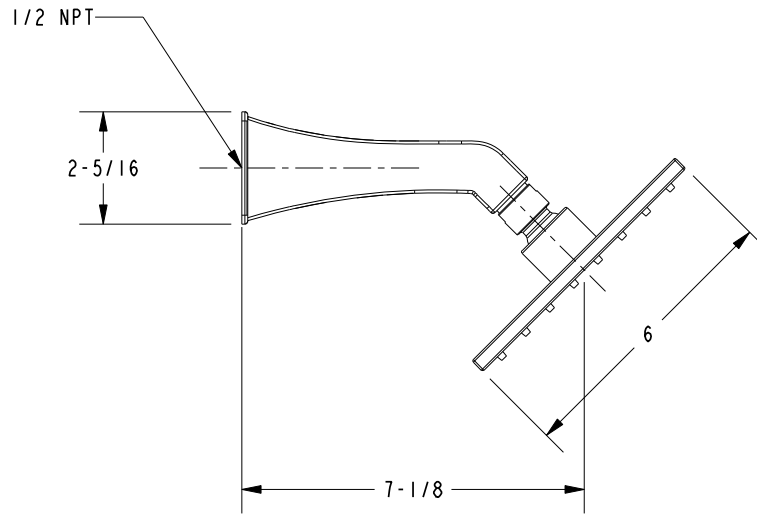
4

3

2

1

**SPECIFICATION DWG**

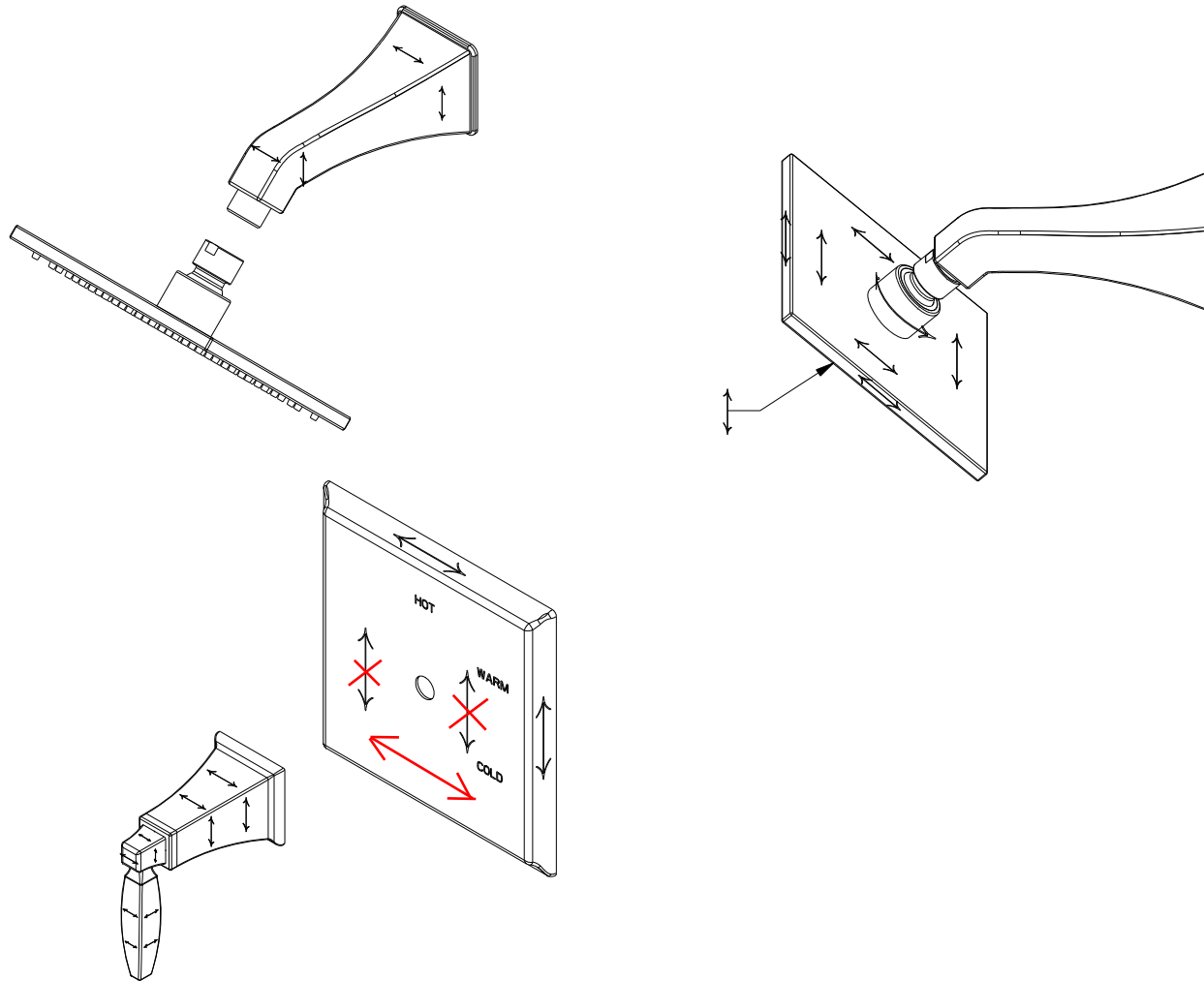


DIMENSIONS ARE IN INCHES AND AN APPROXIMATION OF A TYPICAL INSTALLATION

COPYRIGHT 2005 BRASSTECH, INC. THESE DRAWINGS AND THE DESIGNS DEPICTED HEREIN ARE THE PROPRIETARY PROPERTY OF BRASSTECH. ANY USE OR REPRODUCTION IS SUBJECT TO THE EXPRESS APPROVAL OF BRASSTECH. UNAUTHORIZED USE IS STRICTLY PROHIBITED. ALL RIGHTS RESERVED.

|                  |          |                     |
|------------------|----------|---------------------|
| <b>BRASSTECH</b> |          | 2001 CARNEGIE AVE.  |
| INCORPORATED     |          | SANTA ANA, CA 92705 |
|                  |          | (949) 417-5207      |
| DWG NO.          | 3-8104BP | REV A               |
| SCALE .250       | REF. -   | SHEET 2 OF 3        |

**SPECIFICATION DWG**



DIMENSIONS ARE IN INCHES AND AN APPROXIMATION OF A TYPICAL INSTALLATION

COPYRIGHT 2005 BRASSTECH, INC. THESE DRAWINGS AND THE DESIGNS DEPICTED HEREIN ARE THE PROPRIETARY PROPERTY OF BRASSTECH. ANY USE OR REPRODUCTION IS SUBJECT TO THE EXPRESS APPROVAL OF BRASSTECH. UNAUTHORIZED USE IS STRICTLY PROHIBITED. ALL RIGHTS RESERVED.

|                  |          |                     |
|------------------|----------|---------------------|
| <b>BRASSTECH</b> |          | 2001 CARNEGIE AVE.  |
| INCORPORATED     |          | SANTA ANA, CA 92705 |
|                  |          | (949) 417-5207      |
| DWG NO.          | 3-8104BP | REV A               |
| SCALE .250       | REF.     | SHEET 3 OF 3        |