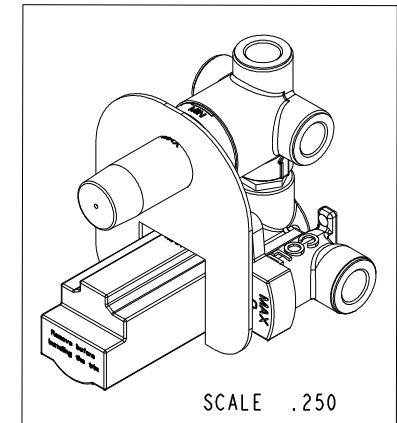
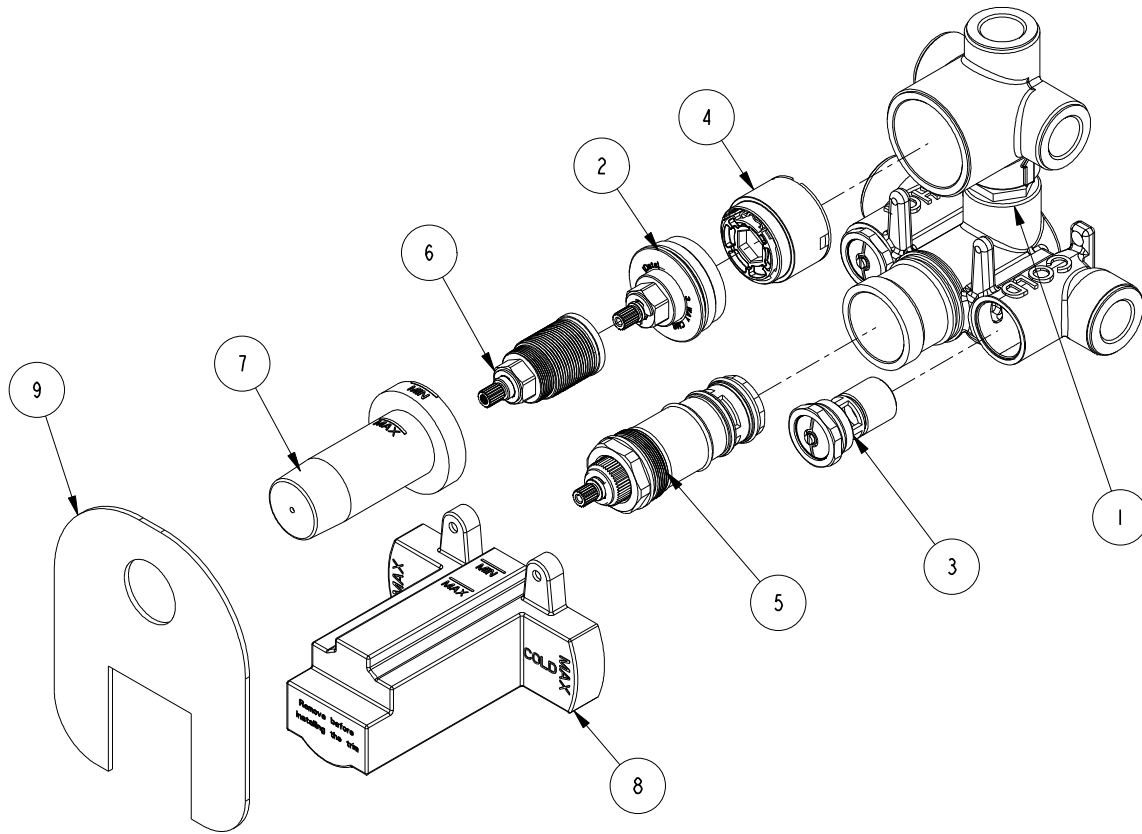


NOTES:

1. TO INSPECT ASSEMBLY, FOLLOW FIRST ARTICLE AND IN PROCESS INSPECTION SHEET.

BILL OF MATERIAL (CURRENT LEVEL)

| ITEM | PT/ASSY | DESCRIPTION | TYPE | QTY. |
|------|---------|--------------------------------|----------|------|
| 1 | 1-337 | 3 WAY DIVERTER VALVE BODIES | ASSEMBLY | 1 |
| 2 | 1-354 | 3-WAY DIVERTER VALVE NUT ASM | ASSEMBLY | 1 |
| 3 | 1-103 | STOP VALVE ASSEMBLY | ASSEMBLY | 2 |
| 4 | 1-336 | 3 WAY DIVERTER CARTRIDGE | ASSEMBLY | 1 |
| 5 | 1-338 | THERMO CARTRIDGE | ASSEMBLY | 1 |
| 6 | 1-343 | DIVERTER STEM ADAPTER | ASSEMBLY | 1 |
| 7 | 91686 | DIVERTER MUD COVER | PART | 1 |
| 8 | 91687 | DIVERTER BODY MUD COVER | PART | 1 |
| 9 | 91695 | FINISHED WALL OPENING TEMPLATE | PART | 1 |



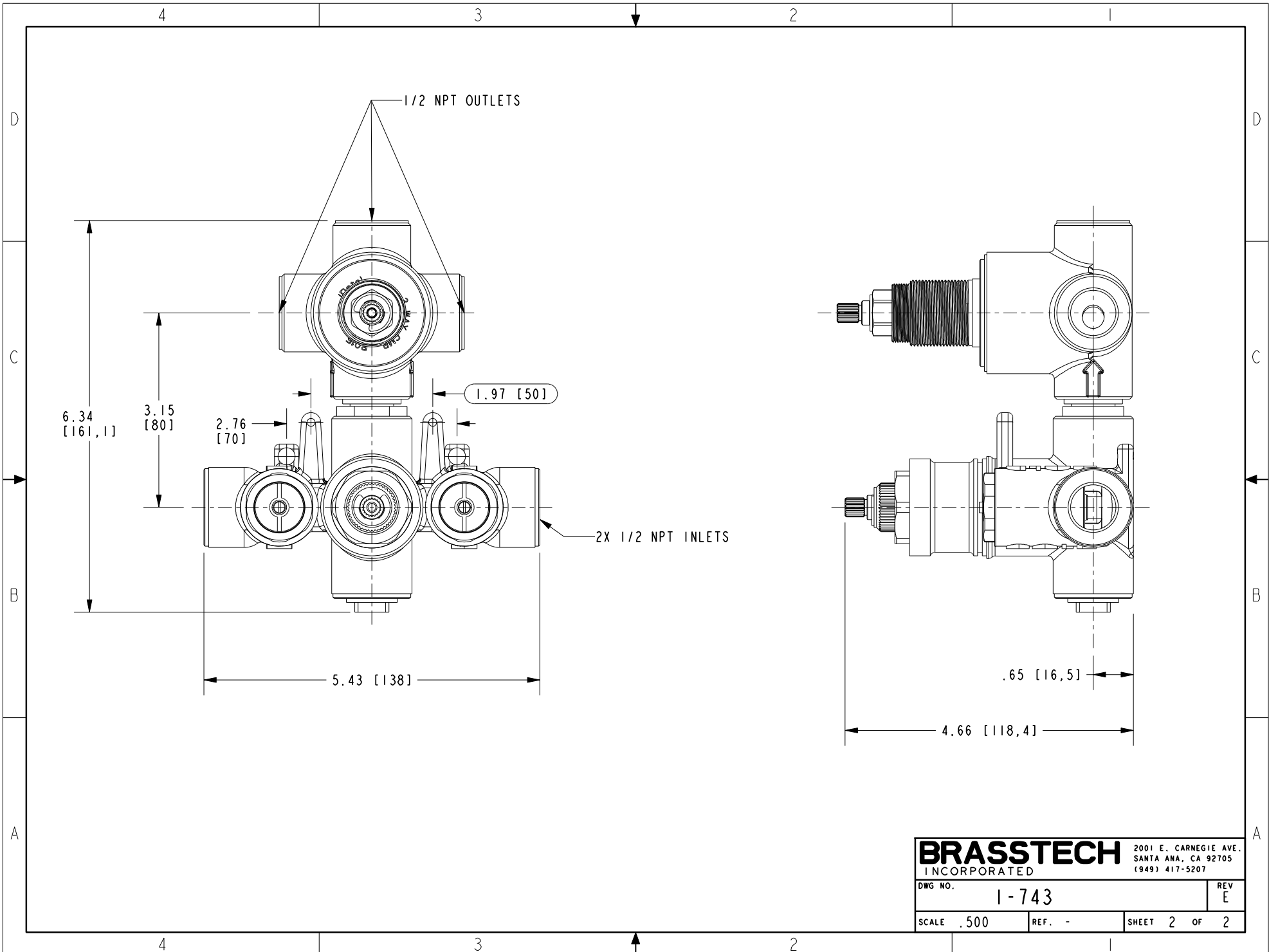
| - | E | EN-4300kk | 03/24/21 | R.S. |
|------|-----|-------------|----------|----------|
| - | D | EN-3098 | 7/19/16 | J.M. |
| - | C | EN-3013 | 03/10/16 | J.M. |
| - | B | EN-2775h | 11/23/15 | J.M. |
| - | A | EN-2775C | 06/24/15 | J.M. |
| - | - | EN-2775B | 06/02/15 | J.M. |
| ZONE | REV | DESCRIPTION | DATE | APPROVED |

COPYRIGHT 2005 BRASSTECH, INC. THESE DRAWINGS AND THE DESIGNS DEPICTED HEREIN ARE THE PROPRIETARY PROPERTY OF BRASSTECH. ANY USE OR REPRODUCTION IS SUBJECT TO THE EXPRESS APPROVAL OF BRASSTECH. UNAUTHORIZED USE IS STRICTLY PROHIBITED. ALL RIGHTS RESERVED.

| | | | |
|-------------------|----------------------------------|-------------|-----------|
| TESTING | - | - | - |
| ASSEMBLY | - | - | - |
| PLATING | - | 3-1034TR2 | 3-1034TR2 |
| POLISHING | - | NEXT ASSY | USED ON |
| MACHINING | - | APPLICATION | |
| TOOLING FIXTURE # | REMOVE ALL BURRS AND SHARP EDGES | | |

| | | | |
|--------------------------------|----------------|----------|--|
| UNITS ARE: INCHES [MM] | | | |
| TOLERANCES ARE: | | | |
| FRACTIONS | DECIMALS | ANGLES | |
| ±1/16" | .X ±.1 [2.5] | ±1° | |
| | .XX ±.06 [1.5] | | |
| (X.XXX) DENOTES CRITICAL DIMS. | | | |
| ALL THREADS ARE CRITICAL | | | |
| DRAWN | R.S. | 06/02/15 | |
| CHECKED | J.M. | 06/02/15 | |
| APPROVED | J.M. | 06/02/15 | |

| | | | |
|-------------------------------|--------|---|----------|
| BRASSTECH | | 2001 CARNEGIE AVE. SANTA ANA, CA 92705 (949) 417-5207 | |
| INCORPORATED | | | |
| TUB AND SHOWER DIVERTER 3 WAY | | | |
| DWG NO. | 1-743 | | REV E |
| SCALE .312 | REF. - | SHEET 1 | OF 2 |



| | | |
|------------------|-------|--|
| BRASSTECH | | 2001 E. CARNEGIE AVE. SANTA ANA, CA 92705 (949) 417-5207 |
| DWG NO. | 1-743 | REV E |
| SCALE | .500 | REF. - |
| SHEET 2 | | OF 2 |